



ÉDITION N° 19

**AFTERMARKET PRODUCTS CATALOGUE**

 **SCHRADER PACIFIC**  
Tire Hardware Solutions





○ Presentation

**1** Truck spuds and extensions

**2** Farm Vehicle and EM valves

**3** Cores and caps

○ **4** Balancing products

**5** Inflation and compressed-air equipment

**6** Tire and inner tube repair products and parts

○ **7** Patches and repair products for tires and tubes

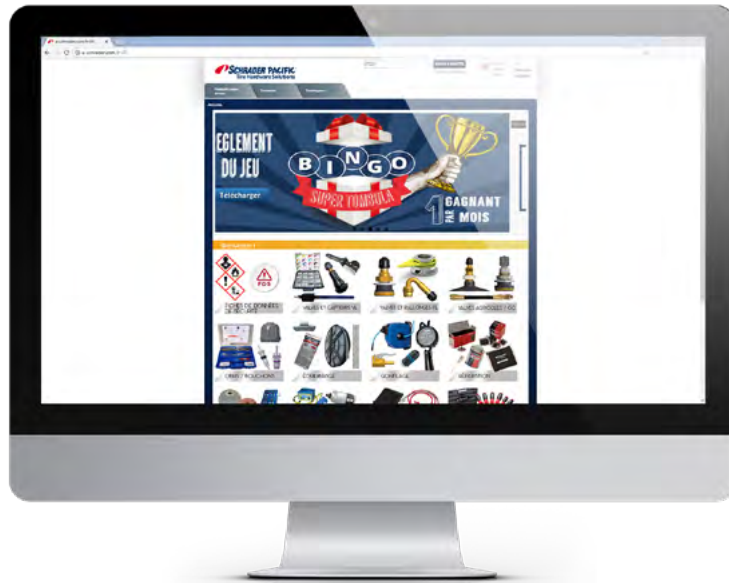
**8** Garage equipment, assembly products,  
tools and PPE

**9** Construction equipment

○ **10** ETRTO index  
Reference index: alphabetical and Truck EM Industry

# HOW TO PLACE YOUR ORDER

Request your login and password to access your **shop.schrader-pacific.fr** account for the "Tire equipment and consumables" category.



[www.shop.schrader-pacific.fr](http://www.shop.schrader-pacific.fr)

To avoid any confusion when placing your order, we recommend that you include, FOR EACH PRODUCT:

- **the complete Schrader Pacific Tire Hardware Solutions reference**, e.g.:
- **the Description**, e.g.: "MASTAIR tire inflator gauge in bar"
- **the quantity ordered**.

**39000-00**

The packaging indicated on our prices may not be broken into fractions. We thus reserve the right to round the quantity requested up to the quantity that is the next highest standard multiple.

## CUSTOMERS France

Call Center:

**Tel. 03 81 38 56 60**

Fax +33 (0)3 81 38 56 81

Tire specialists and automobile distributors.

In France, and on customer request, any order for products in stock received before 3 p.m. can be delivered within 24 hours.

## EXPORT CUSTOMERS

Call Center:

**Tel. +33 (0) 381 38 56 27**

Fax +33 (0)3 81 38 56 81

Network of distributors in Europe, Africa, the Middle East, the Far East and Asia.



## ○ TECHNICAL INFORMATION ABOUT THE PRODUCT

	Technical information about the product
	Product standards
	Diameter of the rim hole
	Website for more information
	Video available / Update via Internet
	Intra-Schrader Pacific Tire Hardware Solutions or on-site training
	Part storage: Store parts, products and liquids away from light, in a dry, clean place and adhere to storage temperatures
	High-Quality product
	Premium Range and Better quality-price ratio
	Spare parts
	Schrader Pacific Tire Hardware Solutions After Sale Service
	Destruction in accordance with Directive 2022/96/EC
	Expiration date
	Identification of the different types of weights
	Safety sheet available
	Instructions on demand or on <a href="http://shop.schrader-pacific.fr">shop.schrader-pacific.fr</a>
	Appropriate Personal Protection Equipment
	Trick product
	Light product
	Product favourites

# TUBELESS VALVES SCHRADER PACIFIC TIRE HARDWARE SOLUTIONS GUARANTEED RELIABILITY.

The assembly of tubeless tires can be compromised by the use of an unsuitable valve. Thanks to their manufacturing quality, Schrader Pacific Tire Hardware Solutions' tubeless valves for trucks provide the best guarantees.

Schrader Pacific Tire Hardware Solutions offers a complete range for each rim type. Automatic in-process control: dimensions, leaktightness, for 100% of parts. Testing of material strength in laboratory (behaviour in overpressure and different temperature conditions).

# TRUCK VALVES SPUDS AND EXTENSIONS



- Tubeless valves for drop-centre rims .....10  
Rim hole 9.7 mm
- Tubeless valves in nickel-coated brass for ALCOA®\* rims .....11 - 12  
Rim hole 9.7 mm
- Tubeless valves for drop-centre rims .....13  
Rim hole 16 mm
- Tubeless valves for drop-centre rims .....16 - 17  
Rim hole 20.5 mm
- Nickel-coated valves with guiding flange ..... 18
- Valves for inner tubes (universal screw-on).....19
- Spuds for universal screw-on valves .....20
- Flexible extensions and clamping lugs .....25
- Rigid plastic extensions .....26
- Rigid brass extensions .....27
- Loose wheel nut indicators .....28

CHECKPOINT® - DUSTITE® - CHECKLINK® - CHECKLOCK® - SAFEWHEEL™

\* ALCOA: protected trademark, property of ALCOA



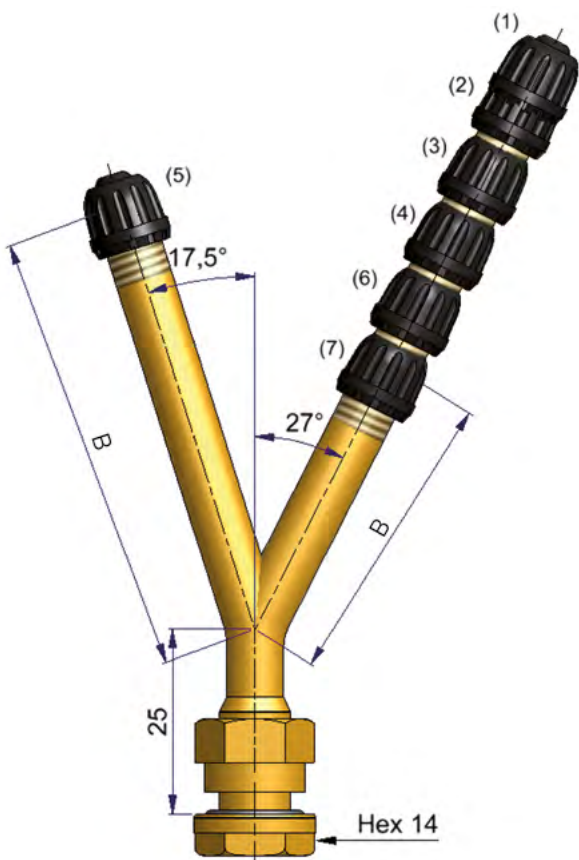
# BRASS TUBELESS VALVES



## ► DROP-CENTRE RIMS

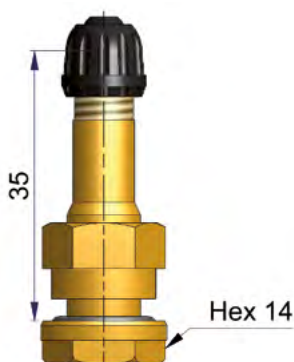
9.7

- Nut tightening torque: 12 to 15 N.m.
- Replace the O-ring each time you remove the tire.

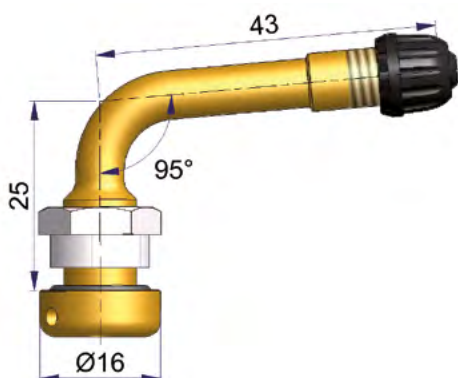


	ETRTO no.	B	Quantity per box	Spare washer
(1)	<b>R-1487-2</b>	(V3.20.6)	85	10
(1)	<b>R-1487-3</b>	(V3.20.6)	85	100
(1)	<b>R-1487-7</b>	(V3.20.6)	85	250
(2)	<b>R-1898-2</b>		80	10
(2)	<b>R-1898-3</b>		80	100
(2)	<b>R-1898-7</b>		80	250
(3)	<b>R-1680-2</b>	(V3.20.12)	70	10
(3)	<b>R-1680-3</b>	(V3.20.12)	70	100
(3)	<b>R-1680-7</b>	(V3.20.12)	70	250
(4)	<b>R-1485-2</b>	(V3.20.4)	60	10
(4)	<b>R-1485-3</b>	(V3.20.4)	60	100
(4)	<b>R-1485-7</b>	(V3.20.4)	60	250
(5)	<b>R-1798-2</b>	(V3.20.2)	60	10
(6)	<b>R-1500-2</b>	(V3.20.7)	50	10
(7)	<b>R-1486-2</b>	(V3.20.5)	40	10
(7)	<b>R-1486-3</b>	(V3.20.5)	40	100
(7)	<b>R-1486-7</b>	(V3.20.5)	40	250

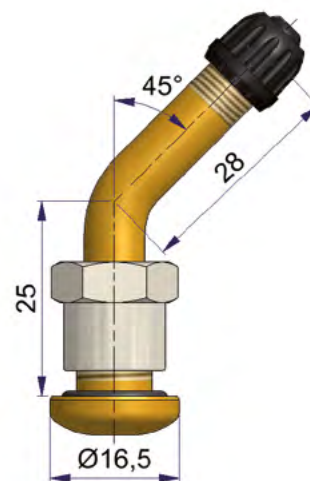
R-1419-2



(V3.20.1)	Quantity per box	Spare washer
<b>R-0964-2</b>	10	R-1419-2
<b>R-0964-3</b>	100	



	Quantity per box	Spare washer
<b>R-2021-2</b>	10	R-1419-2



(V3.22.1)	Quantity per box	Spare washer
<b>R-2123-2</b>	10	R-1419-2
<b>R-2123-3</b>	100	
<b>R-2123-7</b>	250	

Valve with oval shape foot for vehicles equipped with Mercedes (Actros), Scania, Man, Volvo disc brakes. Zinc bichromate nut.

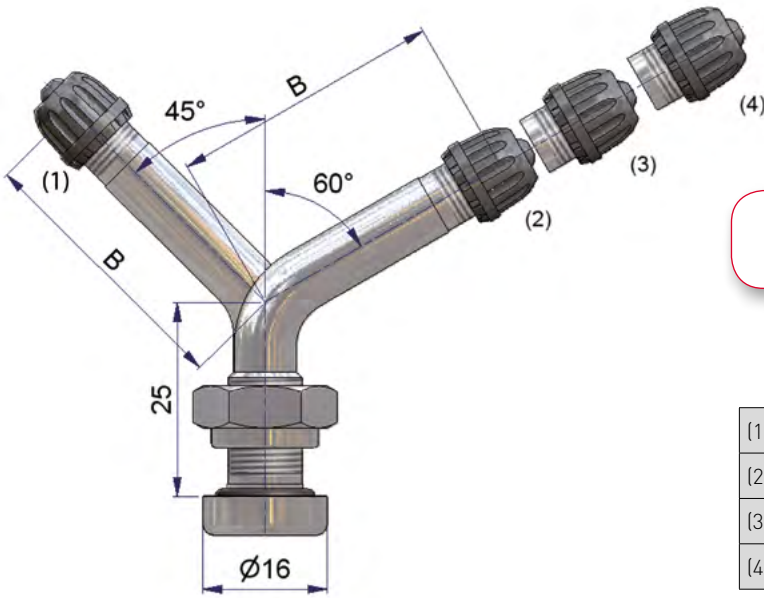




# TUBELESS VALVES IN NICKEL-COATED BRASS - ALCOA® ALLOY RIMS

## ► DROP-CENTRE RIMS

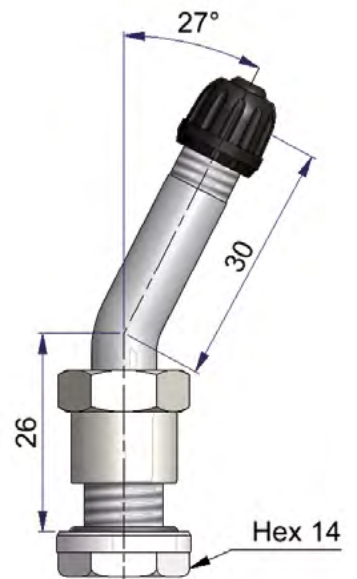
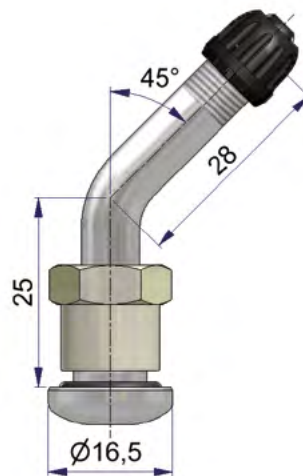
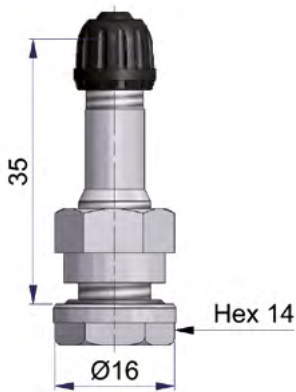
9.7



- Nut torque: 10 to 12 N.m.
- Replace the O-ring each time you remove the tire

	TR no.	B	Quantity per box	Spare washer
(1)	<b>33645-68</b>	TR 543 C	35	41361-68
(2)	<b>S-4295-2</b>	TR 543 D	35	
(3)	<b>S-4297-2</b>	TR 544 D	50	
(4)	<b>42132-68</b>	TR 545 D	66	

- Nut torque: 12 to 15 N.m.
- Replace the O-ring each time you remove the tire



[V3.20.1]	Quantity per box	Spare washer
<b>41534-68</b>	10	R-1419-2

[V3.22.1]	Quantity per box	Spare washer
2123 nickelée <b>42729-68</b>	10	R-1419-2

	Quantity per box	Spare washer
<b>42168-68</b>	10	41686-68

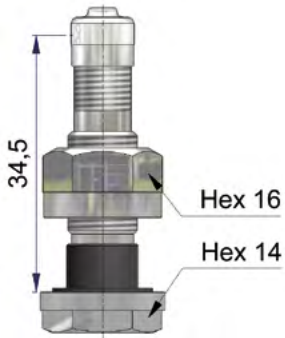
# TUBELESS VALVES IN NICKEL-COATED BRASS - ALCOA® ALLOY RIMS



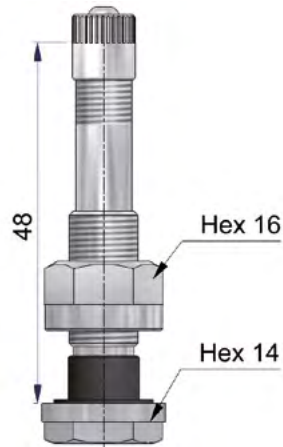
## ► FOR DROP-CENTRE RIMS

**9.7**

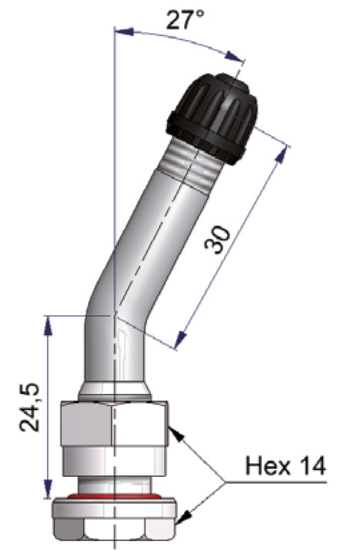
Nut tightening torque: 9 to 16 N.m.



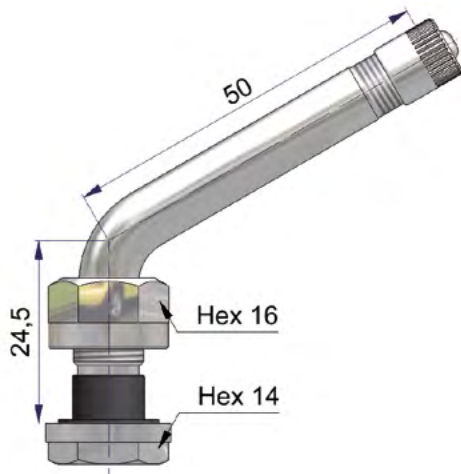
Alcoa 40 MS-00N	Quantity per box
<b>65769-68</b>	10



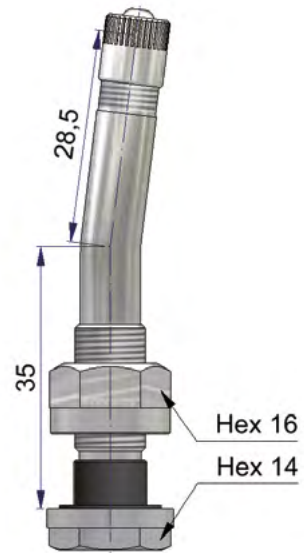
Alcoa 54 MS-00N	Quantity per box
<b>65757-68</b>	10



	Quantity per box	Spare washer
<b>41684-68</b>	10	41686-68



TR 554 D	Quantity per box
<b>65760-68</b>	10



Alcoa 70 MS-07N2	Quantity per box
<b>65758-68</b>	10

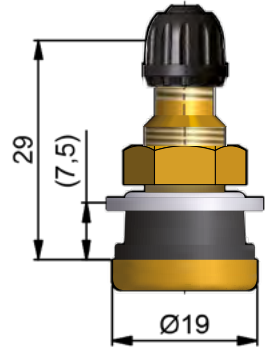
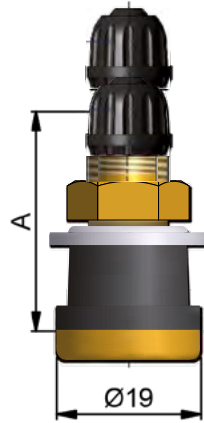


## TUBELESS VALVES

▶ FOR DROP-CENTRE RIMS

16

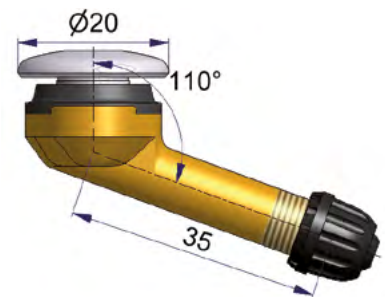
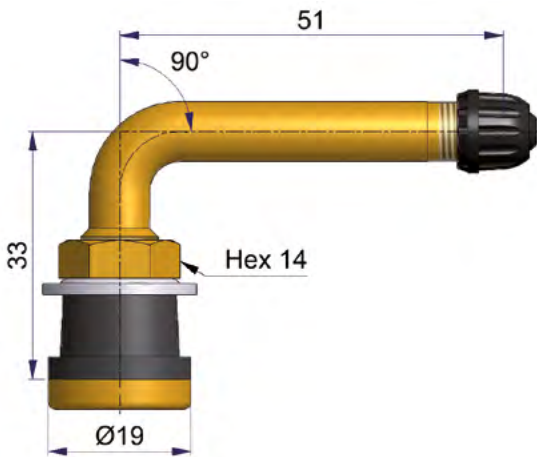
Nut tightening torque: 4 to 6 N.m.



	TR no.	ETRTO no.	A	Quantity per box	Spare washer
(1)	<b>R-2027-2</b>	TR 575	(V3.21.1)	29	10
(1)	<b>R-2027-7</b>	TR 575	(V3.21.1)	29	250
(2)	<b>S-4591-2</b>	TR 501	(V3.21.2)	38	10

TR 575 (V3.21.1) Short washer	Quantity per box	Spare washer
<b>41788-68</b>	10	35439-68

Nut tightening torque:  
13 to 15 N.m.



TR 570 C (V3.21.9)	Quantity per box	Spare washer
<b>41518-68</b>	10	37519-68

Scania Valve	Quantity per box
<b>R-2112-2</b>	10

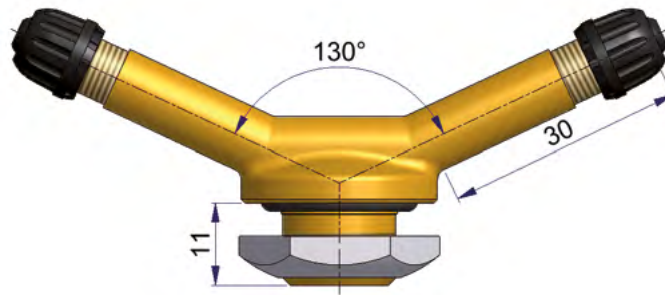
# TUBELESS VALVES



## ► FOR DROP-CENTRE RIMS

16

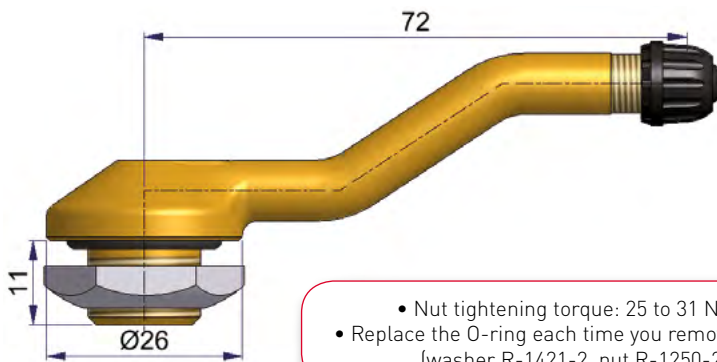
Nut tightening torque: 33 to 37 N.m.



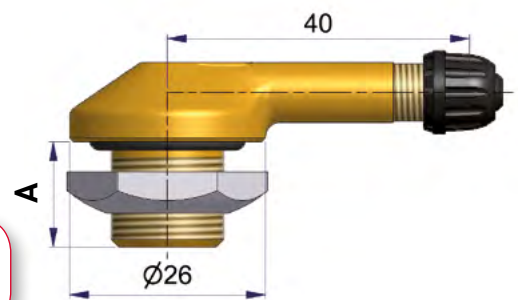
	Quantity per box	Spare washer
<b>R-1581-1</b>	1	R-1421-2
<b>R-1581-2</b>	10	

## ► FOR DROP-CENTRE RIMS

16



- Nut tightening torque: 25 to 31 N.m.
- Replace the O-ring each time you remove the tire. (washer R-1421-2, nut R-1250-2)



(V3.14.1)	Quantity per box
<b>R-0806-2</b>	10

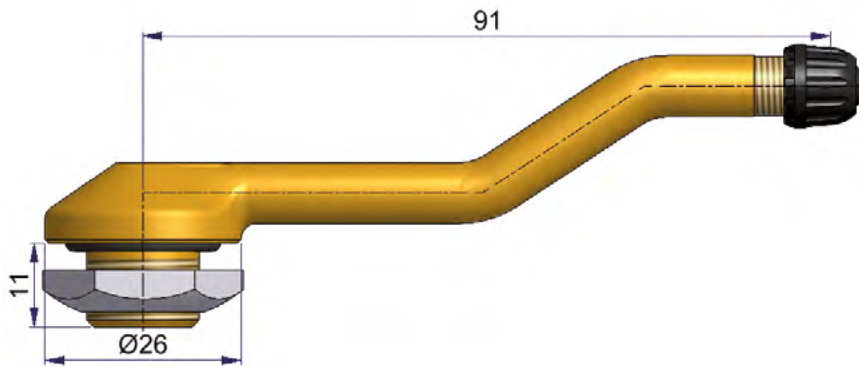
	ETRTO no.	A	Quantity per box
<b>R-1294-2</b>	(V3.12.1)	11	10
<b>R-1294-7</b>	(V3.12.1)	11	250
<b>41667-68</b>		14	10



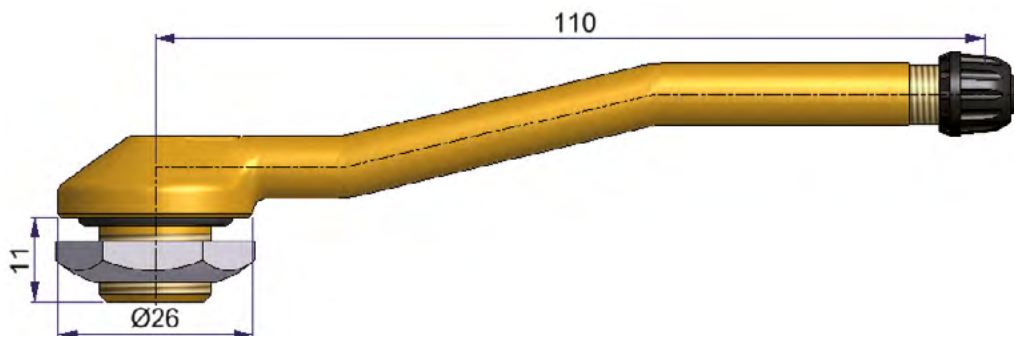
## TUBELESS VALVES

### ▶ FOR DROP-CENTRE RIMS

16



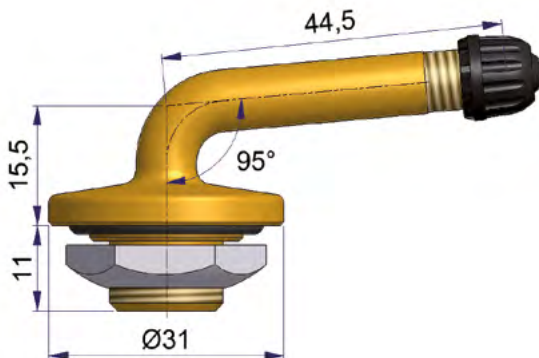
(V3.14.2) (For 11 x 22.5)	Quantity per box
<b>R-0808-2</b>	10



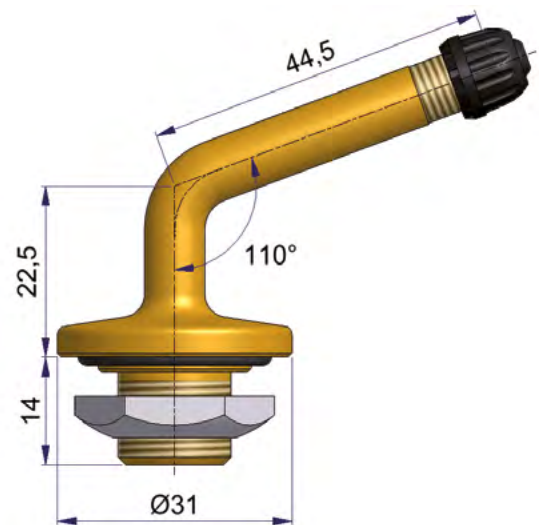
	Quantity per box
<b>R-1632-2</b>	10

### ▶ FOR FLAT RIMS

20.5



(V3.15.2) For underground	Quantity per box
<b>R-1051-2</b>	10



(V3.15.1) For underground	Quantity per box
<b>R-1089-2</b>	10

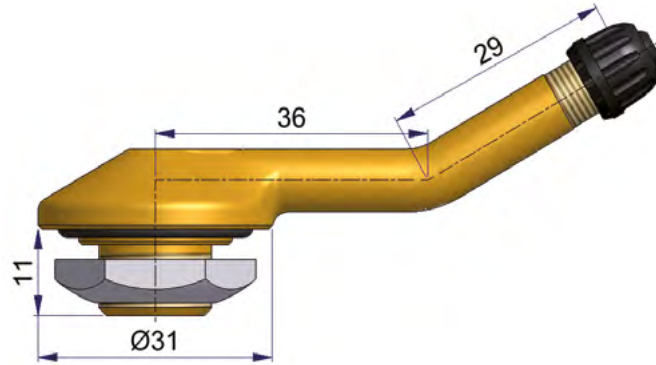
# TUBELESS VALVES



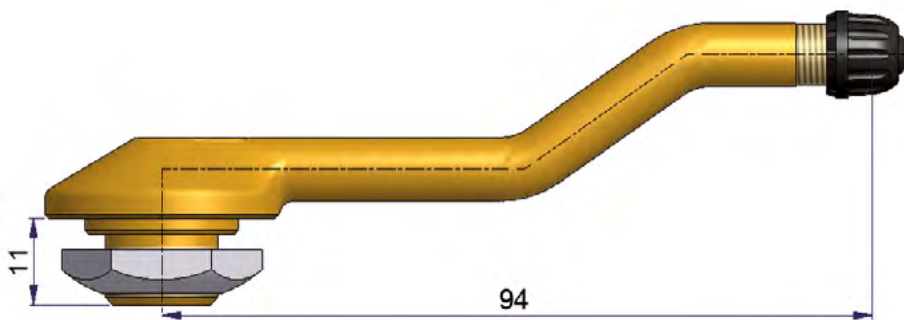
## ► FOR FLAT RIMS

20.5

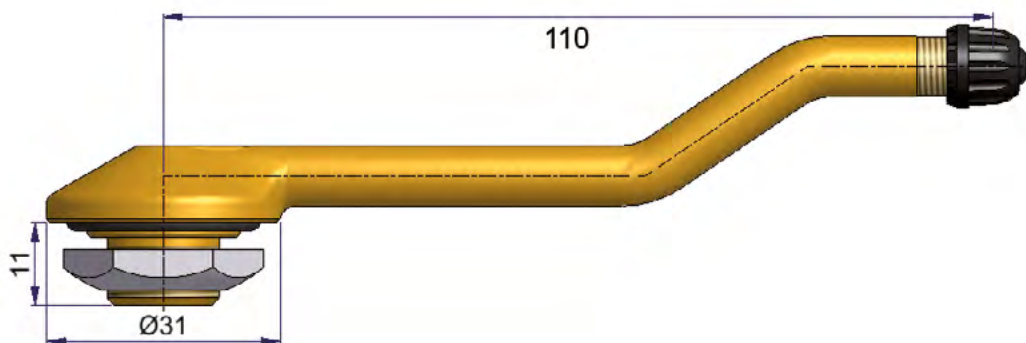
- Nut tightening torque: 25 to 31 N.m.
- Replace the O-ring each time you remove the tire.  
(washer R-1421-2, nut R-1250-2)



(V3.16.1)	Quantity per box
<b>R-1013-2</b>	10



	Quantity per box
<b>R-0915-2</b>	10



(V3.18.1)	Quantity per box
<b>R-0907-2</b>	10

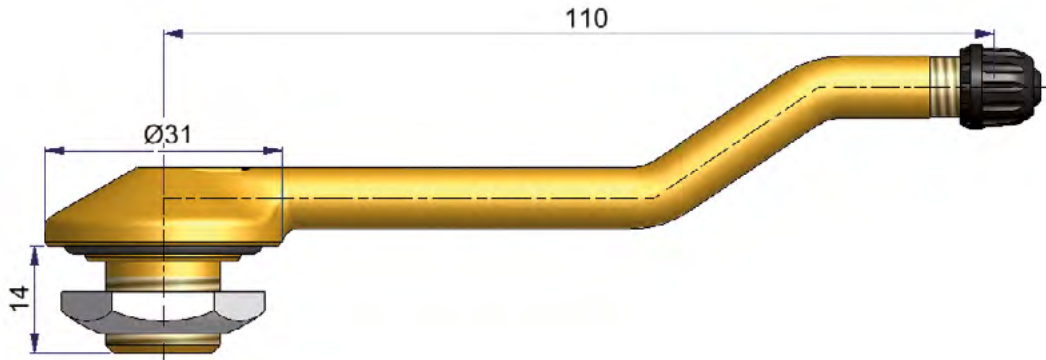


## TUBELESS VALVES

► FOR FLAT RIMS

20.5

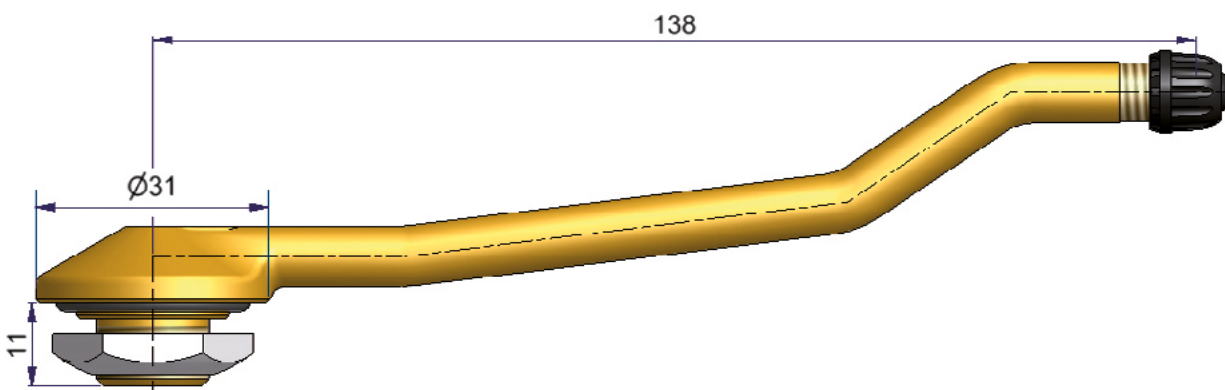
- Nut tightening torque: 25 to 31 N.m.
- Replace the O-ring each time you remove the tire.  
(washer R-1421-2, nut R-1250-2)



	Quantity per box
<b>R-1549-2</b>	10



(V3.18.2)	Quantity per box
<b>R-0920-2</b>	10

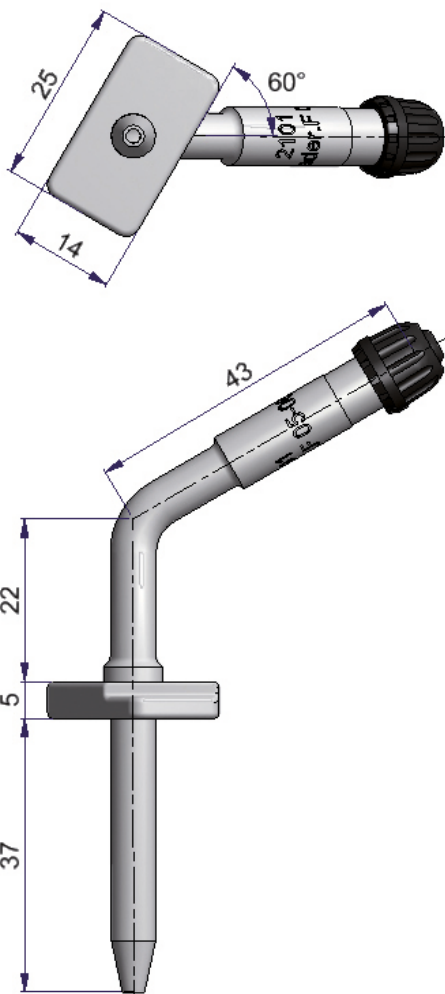


(V3.19.1)	Quantity per box
<b>R-0911-2</b>	10

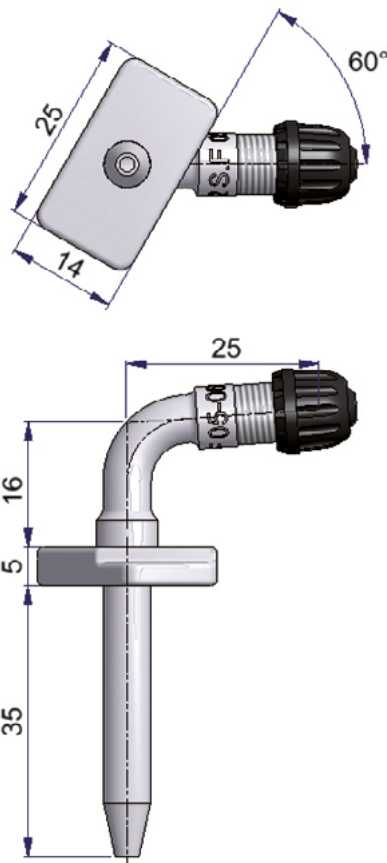
# GUIDING FLANGE VALVES - NICKEL-COATED



For industrial wheel with airtight ring.



	Quantity per box
<b>R-2101-2</b>	10



	Quantity per box
<b>R-2102-2</b>	10



Plastic obturator	Quantity per box
<b>41703-68</b>	10



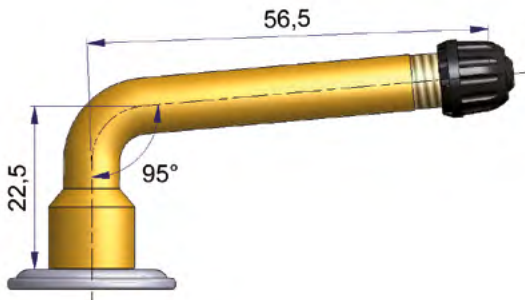


## VALVES FOR INNER TUBES

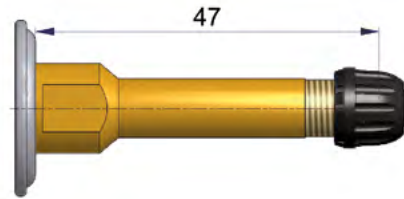
### ▶ STRAIGHT AND SINGLE-BEND UNIVERSAL SCREW-ON VALVES

Valves come assembled with washer R-0569-3.

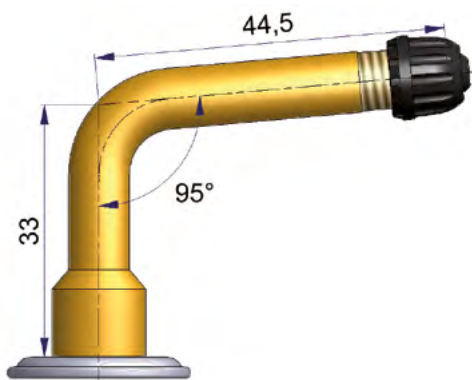
- Replace the sealing washer each time you dismount the tire.



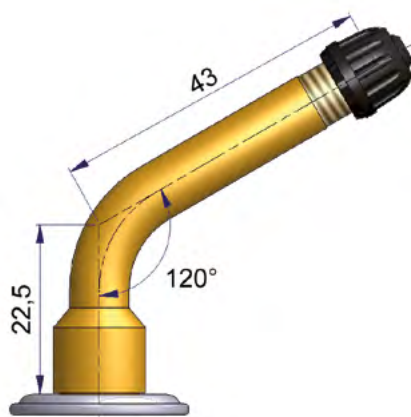
	Quantity per box
<b>R-0750-2</b>	10



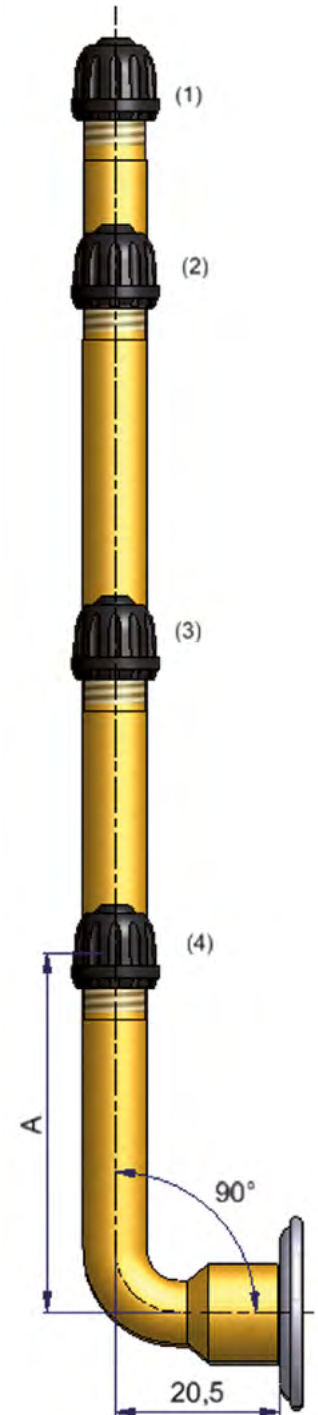
	Quantity per box
<b>R-0572-2</b>	10



(V3.02.3)	Quantity per box
<b>R-0576-2</b>	10



(V3.02.2)	Quantity per box
<b>R-0570-2</b>	10

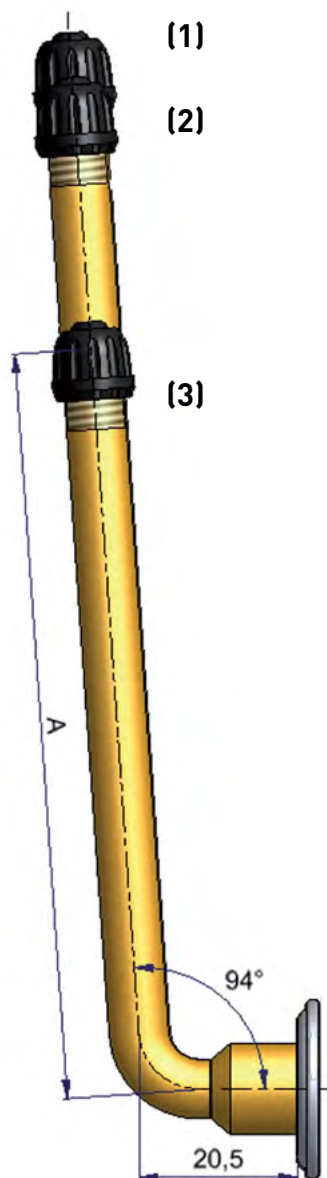


	ETRTO no.	A	Quantity per box
[1]	<b>R-0752-2</b>	(V3.02.17)	156.6
[2]	<b>R-0751-2</b>	(V3.02.13)	133.5
[3]	<b>R-1005-2</b>		86
[4]	<b>R-1003-2</b>	(V3.02.5)	47.5

## VALVES FOR INNER TUBES



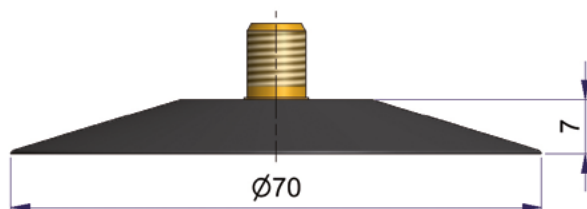
### ► STRAIGHT AND SINGLE-BEND UNIVERSAL SCREW-ON VALVES



- Valves come assembled with washer R-0569-3.
- Replace the sealing washer each time you dismantle the tire

	ETRTO no.	A	Quantity per box
(1)	<b>R-1158-2</b>	(V3.02.14)	138,5
(2)	<b>R-1157-2</b>	(V3.02.12)	132
(3)	<b>R-1156-2</b>	(V3.02.9)	99,5

### ► CONNECTORS FOR UNIVERSAL STEMS



- The connectors used with hot vulcanization are provided machined.
- The connectors used with cold vulcanization are provided without machining, the base coated with bonding tape.
  - Lip seal R-0569-3.

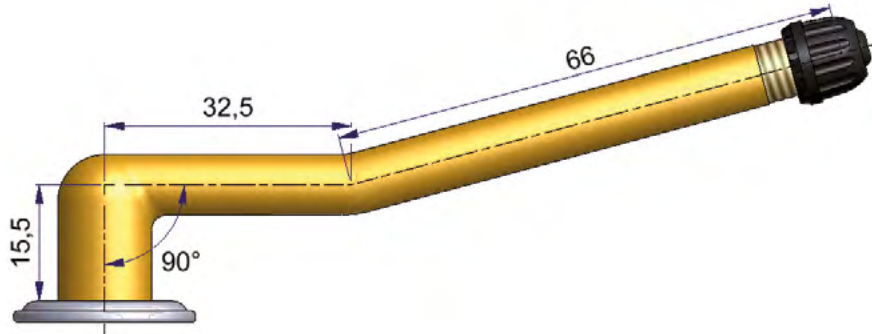
(V3.08.2)	Vulcanization	Quantity per box
<b>S-4014-2</b>	Hot	10
<b>S-4142-1</b>	Cold	1



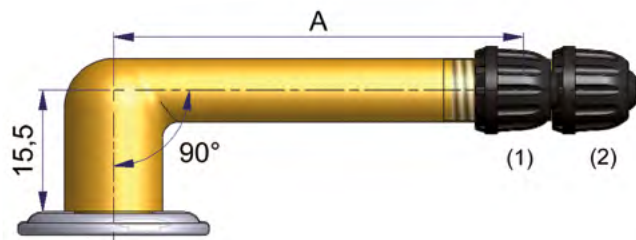
## VALVES FOR INNER TUBES

### ▶ SPUDS FOR UNIVERSAL SCREW-ON VALVES

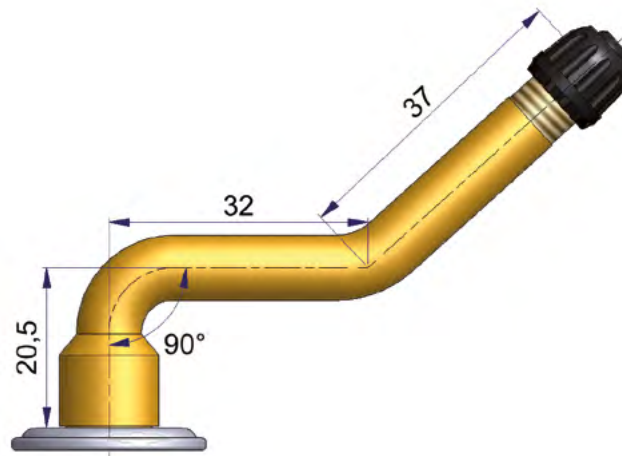
Change the sealing washer each time you remove the tire (R-0569-3).



	Quantity per box
<b>R-1221-2</b>	10

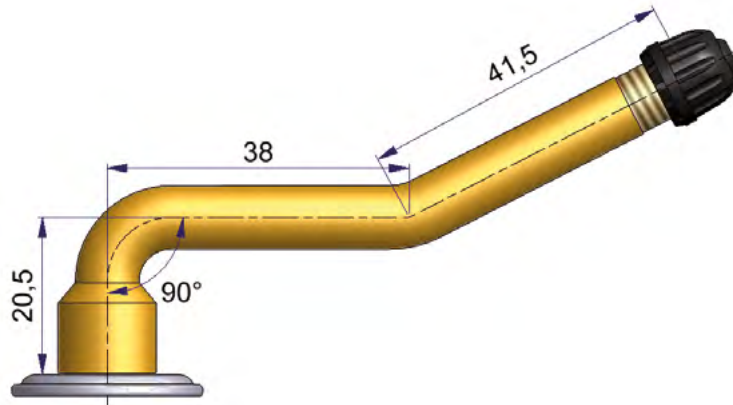


	A	Quantity per box
(1) <b>R-1081-2</b>	51.5	10
(2) <b>R-1465-2</b>	61.5	

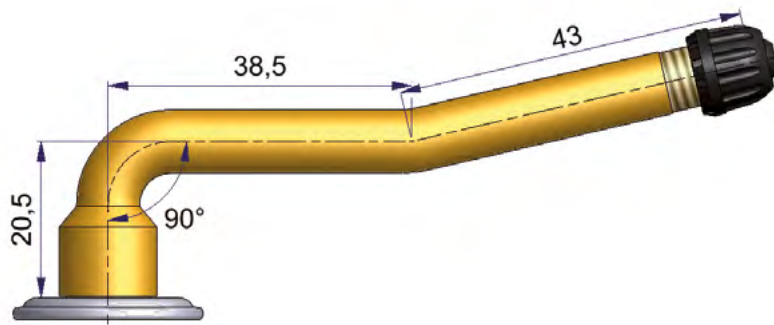


	Quantity per box
<b>R-0578-2</b>	10

► **DOUBLE-BEND UNIVERSAL SCREW-ON VALVES**

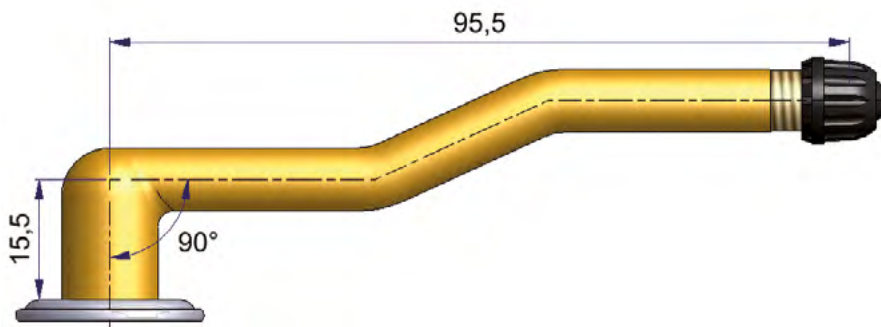


	Quantity per box
<b>R-0579-2</b>	10



(V3.04.2)	Quantity per box
<b>R-1198-2</b>	10

► **LOW TRIPLE-BEND UNIVERSAL SCREW-ON VALVES**



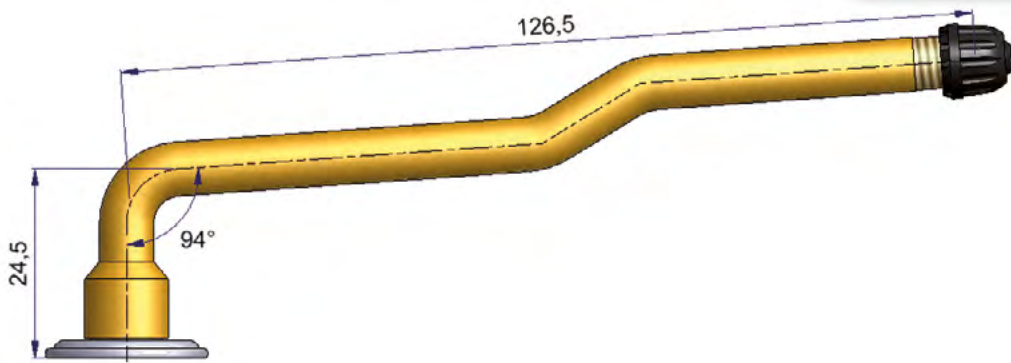
(V3.07.1)	Quantity per box
<b>R-1007-2</b>	10



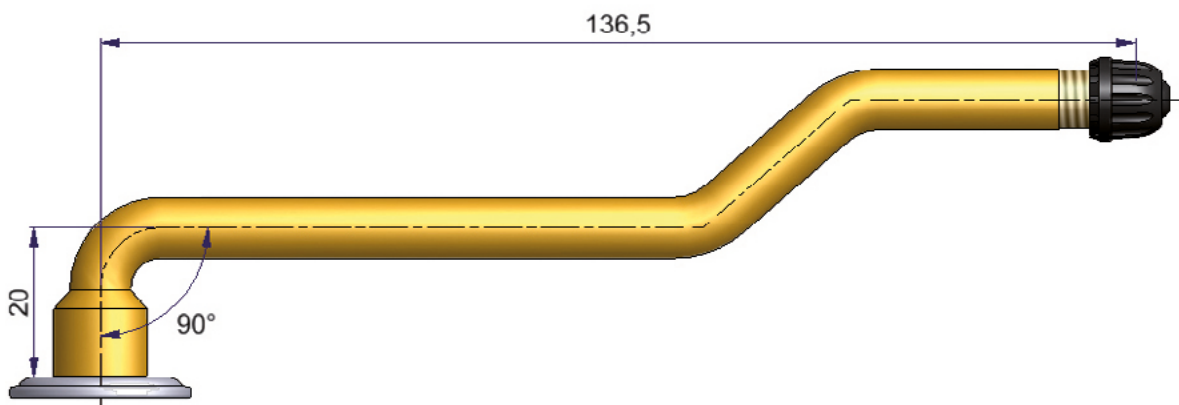
## VALVES FOR INNER TUBES

### ▶ TRIPLE-BEND UNIVERSAL SCREW-ON VALVES

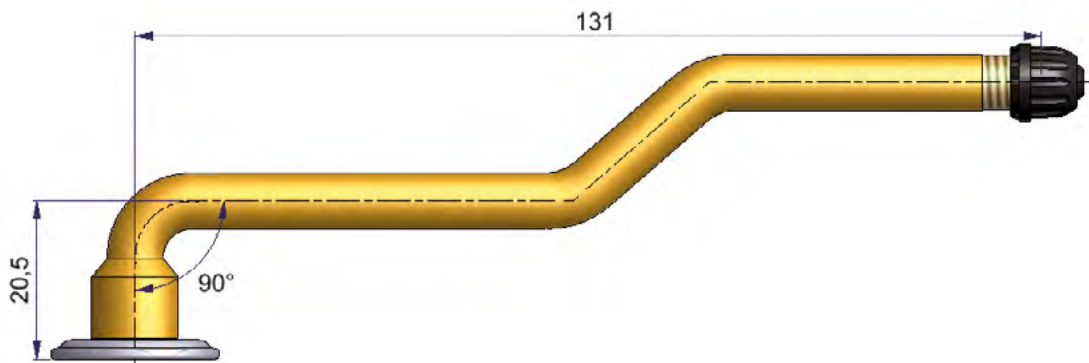
Change the sealing washer each time you remove the tire (R-0569-3).



(V3.06.8)	Quantity per box
<b>R-1123-2</b>	10



(V3.06.6)	Quantity per box
<b>R-0819-2</b>	10



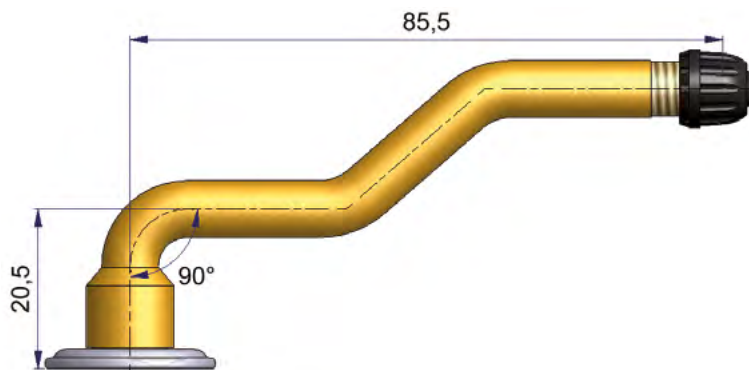
(V3.06.5)	Quantity per box
<b>R-0582-2</b>	10

## VALVES FOR INNER TUBES

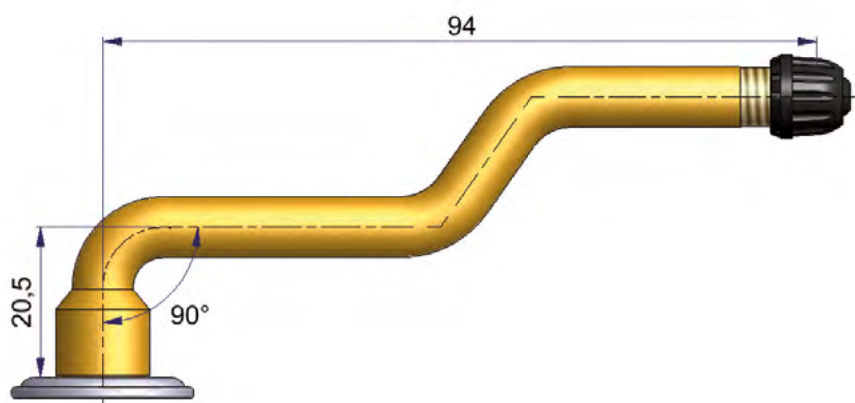


### ▶ TRIPLE-BEND UNIVERSAL SCREW-ON VALVES

Change the sealing washer each time you remove the tire (R-0569-3).



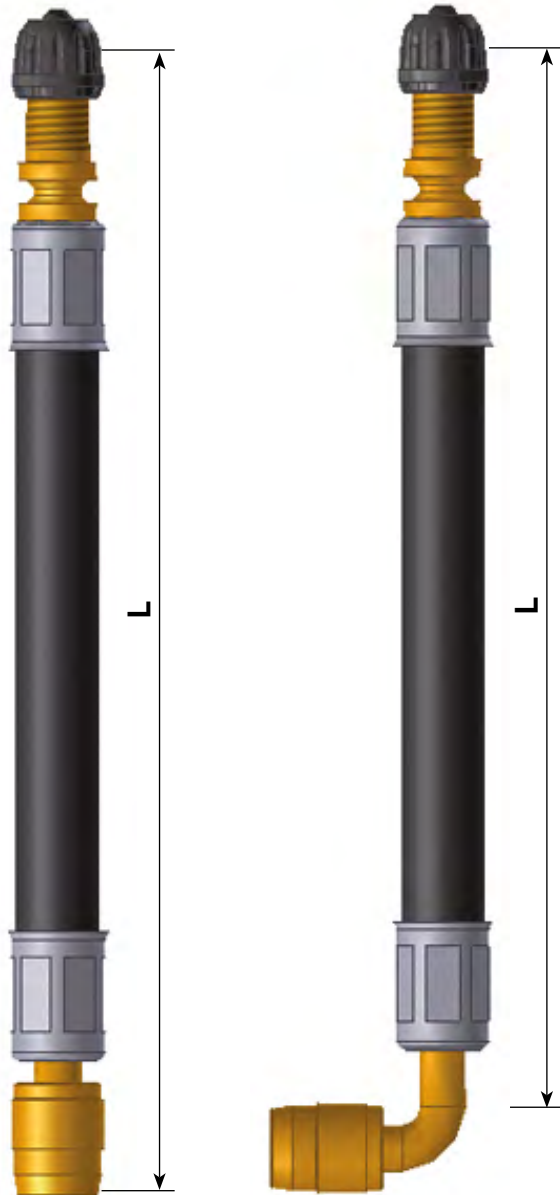
(V3.06.1)	Quantity per box
<b>R-0922-2</b>	10



(V3.06.2)	Quantity per box
<b>R-0580-2</b>	10



## FLEXIBLE EXTENSIONS AND LUGS



### STRAIGHT FLEXIBLE EXTENSIONS

10 pieces per bag	50 pieces per bag	W. (mm)
41315-68	41315-71	75
41316-68	41316-71	105
41317-68	41317-71	125
41318-68	41318-71	140
41319-68	41319-71	160
41320-68	41320-71	180
41321-68	41321-71	210
41322-68	41322-71	270
41323-68	41323-71	340
41324-68	41324-71	370
41325-68	41325-71	430
41326-68	41326-71	490
41327-68	41327-71	695

### FLEXIBLE VALVE EXTENSION LOTS

	Contents of the lot	Lots per box
43770-68	2 X 41321 + 1 x R-1431	10

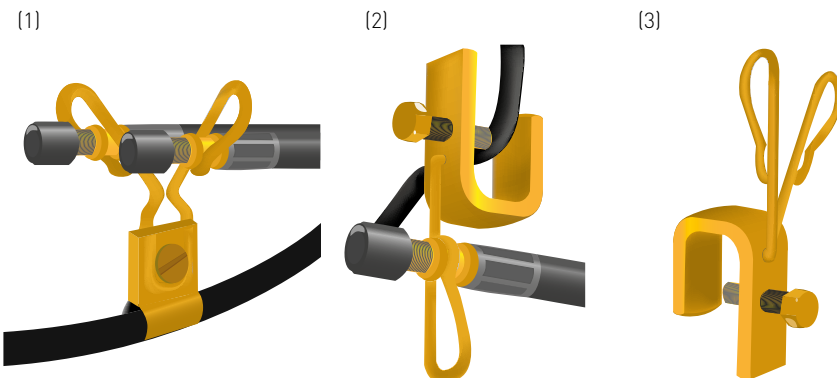
### BENT FLEXIBLE EXTENSIONS

10 pieces per bag	W. (mm)
43771-68	140
42016-68	210
43772-68	290
41776-68	360
41777-68	460

### CLAMPING LUGS FOR THE FLEXIBLE EXTENSIONS

		Quantity per box
(1)	R-1431-2	10
(1)	R-1431-3	100
(1)	R-1431-6	500
(2)	R-1144-2	10
(2)	R-1144-3	100
(2)	R-1144-6	500
(3)	S-4998-2	10

• Rotating nut tightness torque:  
• During the assembly of an extension, make sure that the space in the rim has no sharp edges that could damage the extension during rolling.



# SCHRADER PACIFIC TIRE HARDWARE SOLUTIONS

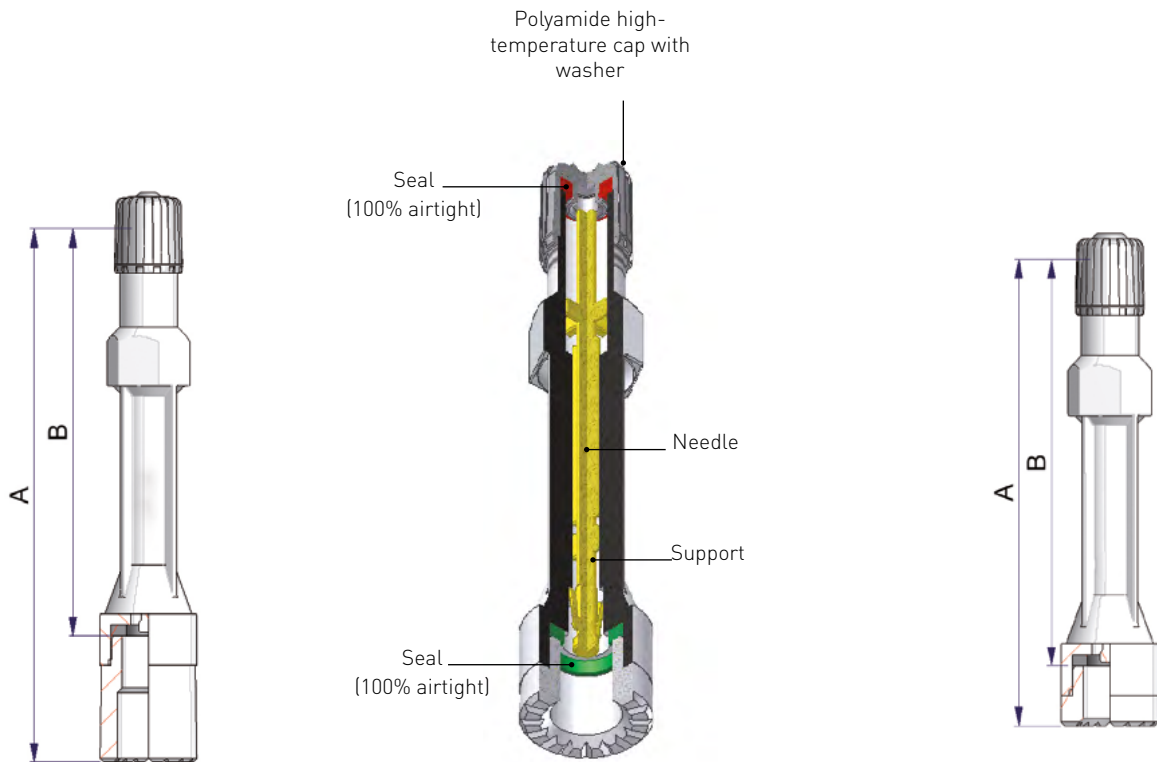
## RIGID PLASTIC 100% AIRTIGHT EXTENSIONS

### ▶ LONG SKIRT



Valve mouth mounting torque:  
0.4 to 0.7 N.m.

### ▶ SHORT SKIRT



	Total length A (mm)	Useful length B (mm)	Quantity per box
<b>42214-68</b>	71	53.5	10
<b>42214-69</b>	71	53.5	100
<b>42215-68</b>	111	97.5	10
<b>42215-69</b>	111	97.5	100
<b>42216-68</b>	150	132.5	10
<b>42216-69</b>	150	132.5	100
<b>42217-68</b>	170	152.5	10
<b>42217-69</b>	170	152.5	100
<b>42218-68</b>	180	161	10
<b>42218-69</b>	180	161	100

	Total length A (mm)	Useful length B (mm)	Quantity per box
<b>42563-68</b>	61	53.5	10
<b>43249-68</b>	101	93.5	
<b>42564-68</b>	140	132.5	

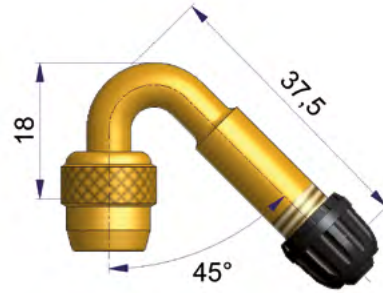
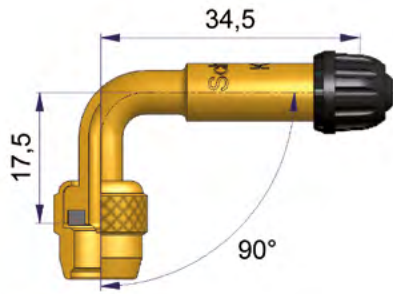




## BRASS EXTENSIONS

### ▶ RIGID BENT EXTENSIONS

Rotating nut tightness torque:



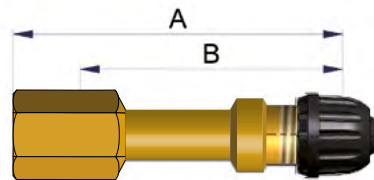
	Quantity per box
<b>R-1197-2</b>	10
<b>R-1197-3</b>	100

	Quantity per box
<b>42253-68</b>	10
<b>42253-69</b>	100

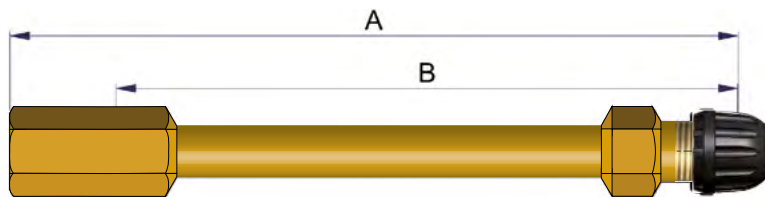
### ▶ STRAIGHT RIGID NICKEL-COATED BRASS EXTENSIONS

Valve mouth mounting torque: 0.3 to 0.7 N.m.

(1) Short skirt



(2) Long skirt



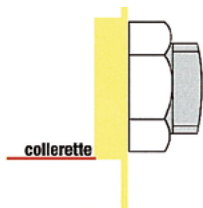
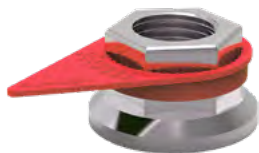
	Total length [A mm]	Useful length [B mm]	Quantity per box
(1) <b>S-4584-2</b>	42.5	34	10
(2) <b>S-4577-2</b>	62.5	54	
(2) <b>S-4551-2</b>	86.5	78	
(2) <b>S-4531-2</b>	93.7	78	
(2) <b>S-4529-2</b>	102.5	94	
(2) <b>S-4517-2</b>	109.7	94	
(2) <b>S-4504-2</b>	128.7	113	
(2) <b>S-4134-2</b>	140.7	127	
(2) <b>R-3552-2</b>	178	152	

## LOOSE WHEEL NUT INDICATORS

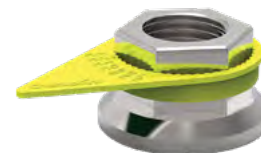


### CHECKPOINT®

Wheels without hub cap



Position the **CHECKPOINT®** with the neck ring against the nut.



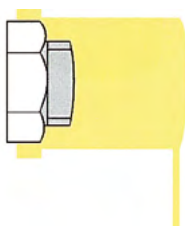
	Ø (mm)	Pieces per bag
<b>61370-69</b>	32	100
<b>61369-69</b>	33	

For other sizes of Checkpoint® red, contact us

	Ø (mm)	Pieces per bag
<b>66732-69</b>	19	100
<b>61224-69</b>	22	
<b>66733-69</b>	23	
<b>61225-69</b>	24	
<b>65910-69</b>	27	
<b>65911-69</b>	30	
<b>65912-69</b>	32	
<b>65913-69</b>	33	
<b>66542-69</b>	41	

### DUSTITE® LR

Wheels with hub cap



Push the **DUSTITE® LR** down to the bottom of the nut. Use the arrows as grips to remove them.



	Ø (mm)	Pieces per bag
<b>61368-71</b>	32	50
<b>61367-71</b>	33	

**DUSTITE® LR** is both a dust cap and a loose wheel nut indicator used on hub caps with bolt access.

For other sizes of Dustite® red, contact us

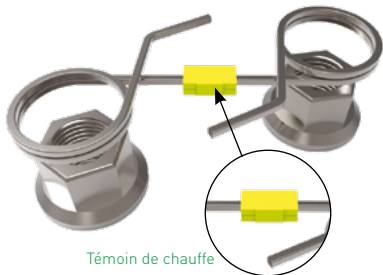
	Ø (mm)	Pieces per bag
<b>61222-69</b>	24	100
<b>61279-71</b>	27	50
<b>61223-71</b>	30	
<b>65914-71</b>	32	
<b>65915-71</b>	33	



## LOOSE WHEEL NUT INDICATORS

### CHECKLOCK® SQ

Stainless steel nut retainer with centre-to-centre distance of 335 mm



Témoïn de chauffe



	Ø (mm)	Pieces per bag
<b>66734-68</b>	32	10
<b>66735-68</b>	33	

### SAFE WHEEL™

Nut retainer ring with centre-to-centre distance of 335 mm



	Description	Pieces per bag
<b>66938-67</b>	Grey ring 32/33 mm for 10 nuts (nuts not included)	1

### CHECKLINK®

Loose wheel nut indicator with retention eyelets.



	Ø (mm)	Pieces per bag
<b>66021-71</b>	30	50
<b>66022-71</b>	32	
<b>66023-71</b>	33	

- The size in millimetres corresponds to the size of the nut, from flat end to flat end. The sizes of the indicators are always individually marked on the products.
- High-resistance polypropylene products.
  - Indication of wheel overheating (melts at over 120°C).

### BORE DIAMETER GAUGE:

The bore of "large-bore" valves is 3 times greater than the "standard bore".  
The bore of "super large bore" valves is 12 times greater than the "standard bore".

Large bore [LB]: 5mm (0.19")



Super large bore [SLB]: 11mm (0.44")



## FARM VEHICLES AND EARTHMOVER VALVES



- [Hydro-flotation connectors and ballasting pump](#) .....32
- [Hydro-flotation valves for inner tubes](#).....34
- [Hydro-flotation valves for American type tubeless \(LB\)](#).....35
- [Tubeless or euro inner tube valves \(LB\)](#) .....37
- [Valves and spuds for American type tubeless \(LB\)](#) .....39
- [Extensions and clamping lugs \(LB\)](#).....42
- [Valves and extensions for Caterpillar® equipment](#).....43
- [Tubeless valves, spuds and extensions \(SLB\)](#) .....44

# HYDRO-FLOTATION CONNECTORS AND BALLASTING PUMP



- Operating pressure: 7 bar.
- Supply with filtered and lubricated air. (see page 80)

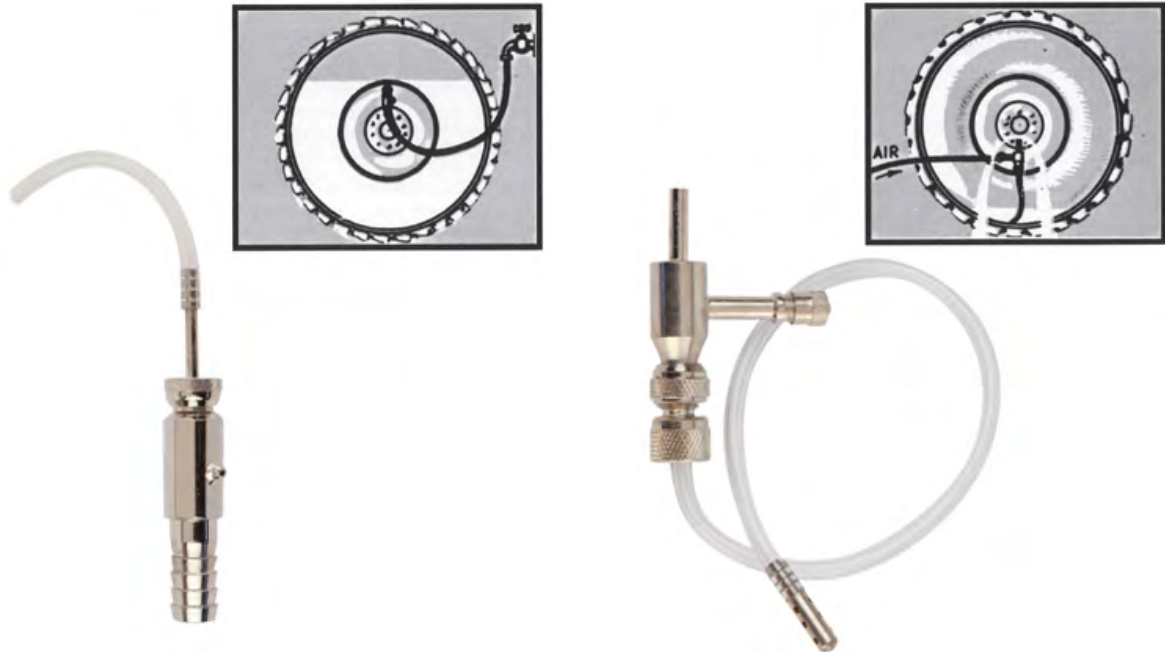
	Description	Pieces per box
<b>67115-67</b>	Ballasting pump Dimensions: 40 x 40 x 50 cm Weight: 19 kg	1

- For water ballasting (or other antifreeze products) of tractor and earthmover tires.
- Pneumatic diaphragm pump. Flow 140 L/min.
- Delivered complete with pressure gauge, air regulator and lubricator.
- Suction hoses L = 4 m and filling hoses L = 3m, connections on hydro-flotation valve.





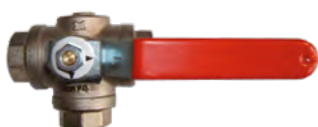
## HYDRO-FLOTATION CONNECTORS AND BALLASTING PUMP



	65021-67	65022-67
Designation	Connector for 80% water ballasting	Agricultural drainage tool
Quantity per box	1	1



	37-099	67120-67	65922-67	66779-67
Designation	Complete ballasting connector 1/2"	Repair kit for hydro-flotation connector 37-099	Spare nipple for hydro-flotation connector 37-099 (teflon washer included)	Quick coupler for water ballasting
Quantity per box	1	1	1	1



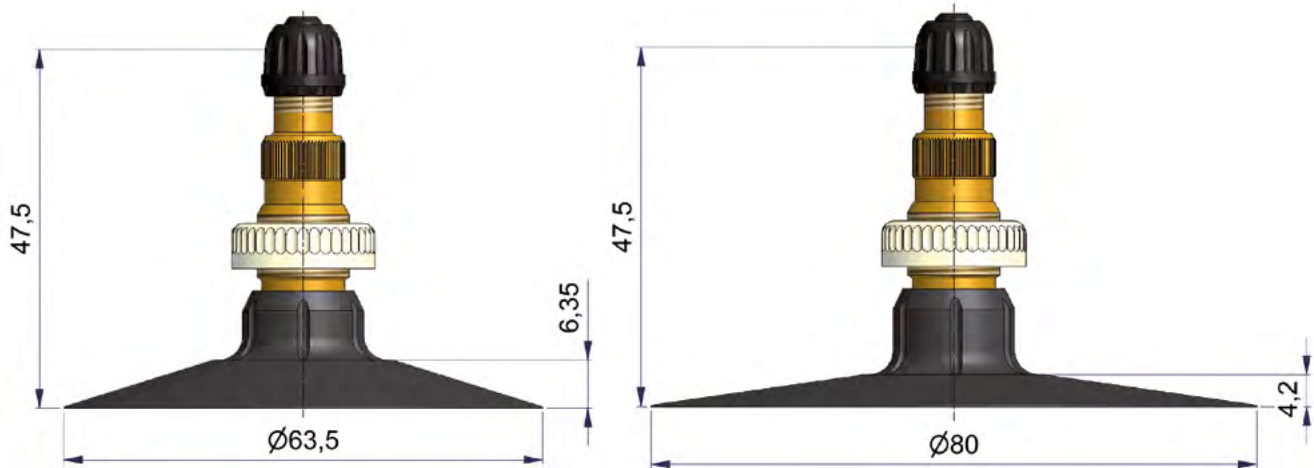
	Description	Quantity per box
<b>67152-67</b>	3-way valve for pump 67115-67	1

# HYDRO-FLOTATION VALVES FOR INNER TUBES

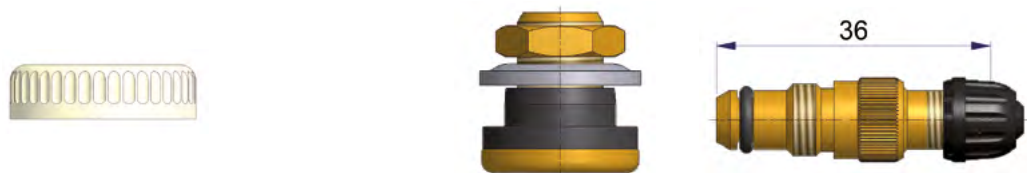


- (\*) COLD CURE VALVES:
- (\*) Thoroughly buff the tube.
  - Apply a thin layer of tire cement for cold cure.
  - Never use other products. Never use heat.
  - Let dry completely. Remove protective film.
  - Place the valve on the prepared surface.
  - Roll with a knurling wheel to eliminate any trapped air.
  - Remove valve core to pierce a hole with a pointed nail or awl.

Grease the coupler washer before mounting.



TR 218 A (V4.03.1)	R-1224-2	S-4015-1	S-4046-2	S-4047-1	S-4047-2
Vulcanization	hot	cold (*)	hot	cold (*)	
Base finish	machined, without bonding tape	not machined, with bonding tape	machined, without bonding tape	not machined, with bonding tape	
Pieces per bag	10	1	10	1	10
	For cold vulcanization, valve S-4047-1 has significant advantages, thanks to its large diameter, and allows for better adaptation than the standard model.				

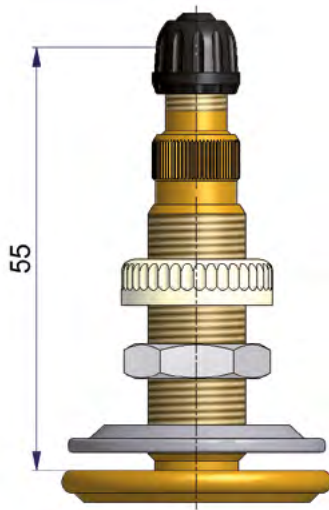


	R-1225-2	R-1225-3	S-4385-1	R-1139-2
	(V9.14.1)			(V4.02.1)
Designation	Polyamide rim nut		Cap for farm valve hole	Hydroflotation nipple
Quantity per box	10	100	1	10
O-ring seal	-	-	-	S-4013-2





## HYDRO-FLOTATION VALVES FOR INNER TUBES

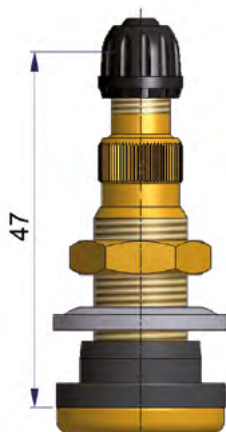


Rim nut torque:  
13 to 15 N.m.

	Designation	Quantity per box
<b>S-4011-2</b>	Metal for repair	10

## HYDRO-FLOTATION VALVES FOR AMERICAN TYPE TUBELESS (LB)

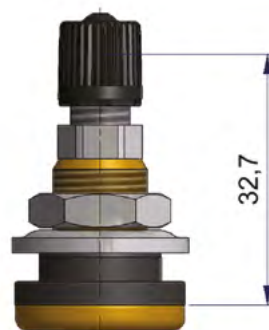
16



TR 618A  
(V5.15.1)

Quantity per box

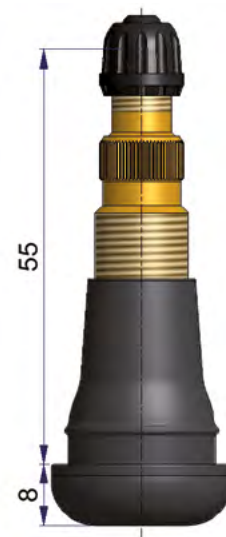
<b>R-1840-2</b>	10
<b>R-1840-3</b>	100



TR618A  
short

Quantity per box

<b>66852-68</b>	10
-----------------	----



Designation

Quantity per box

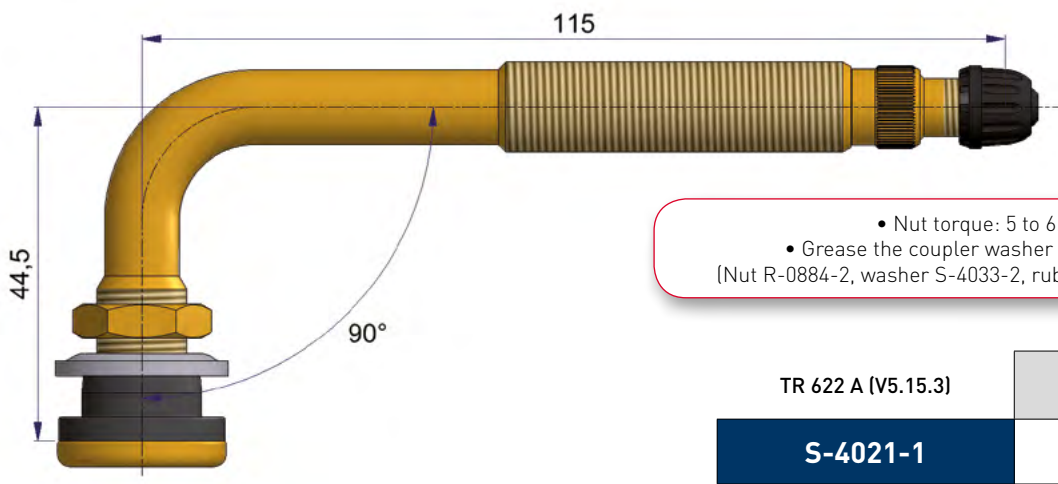
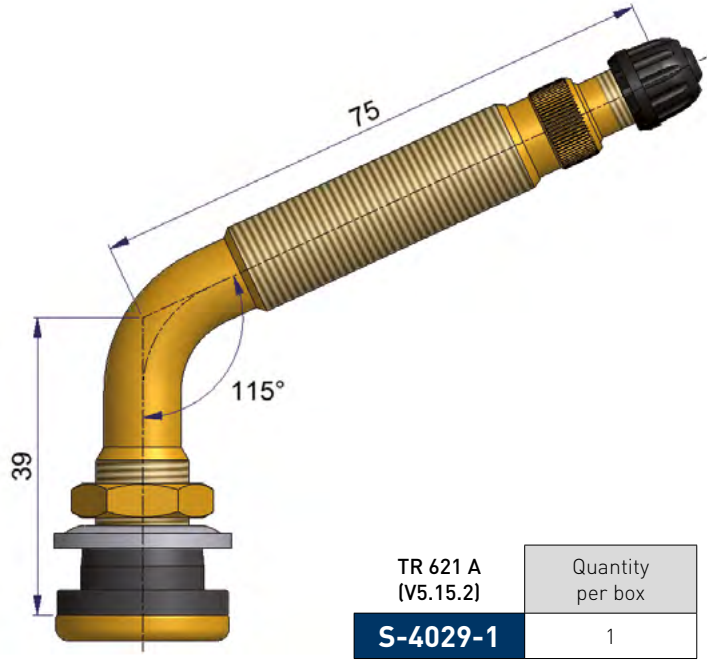
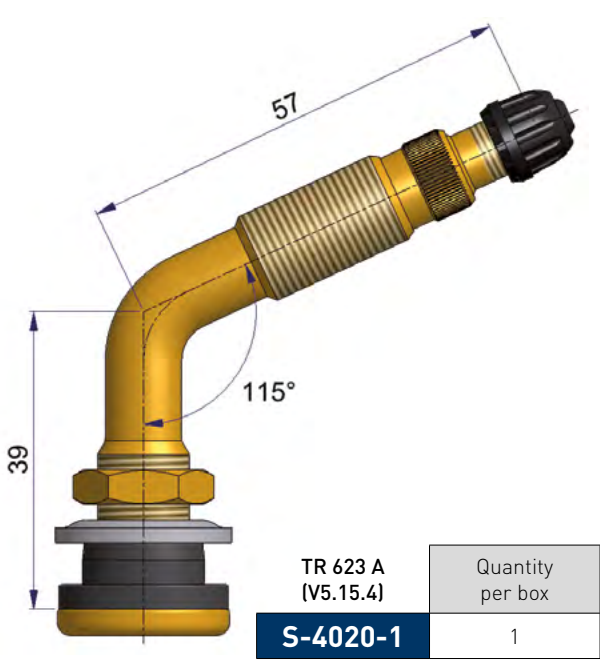
<b>42176-68</b>	Hydro-flotation valve with rubber	10
-----------------	-----------------------------------	----

# HYDRO-FLOTATION VALVES FOR AMERICAN TYPE TUBELESS (LB)



- Nut torque: 5 to 6.1 N.m.
- Grease the coupler washer before mounting.

(Nut R-0884-2, washer S-4033-2, rubber grommet S-4031-2)



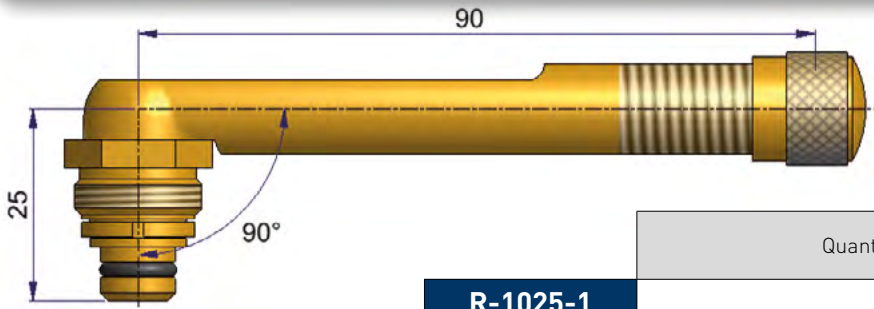
- Nut torque: 5 to 6.1 N.m.
- Grease the coupler washer before mounting.

(Nut R-0884-2, washer S-4033-2, rubber grommet S-4031-2)

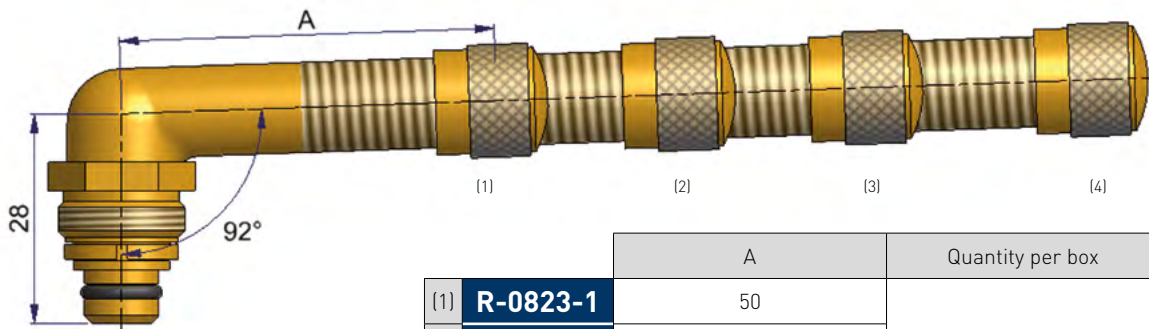


## TUBELESS OR EURO INNER TUBE VALVES (LB)

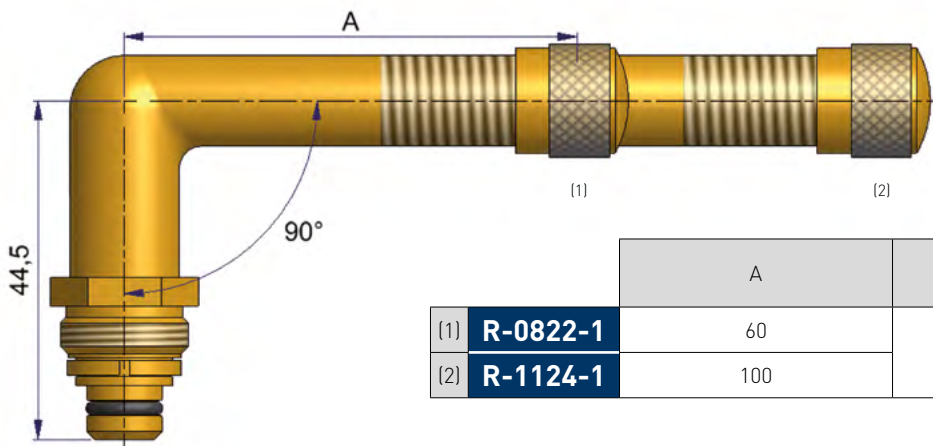
Grease the coupler washer before mounting. (O-ring S-4012-2)



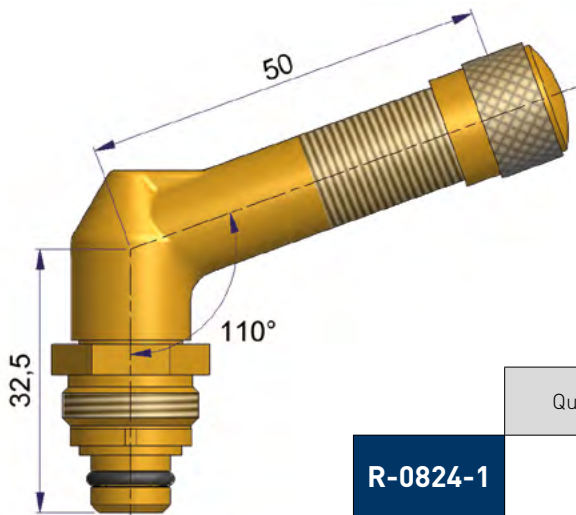
	Quantity per box
<b>R-1025-1</b>	1



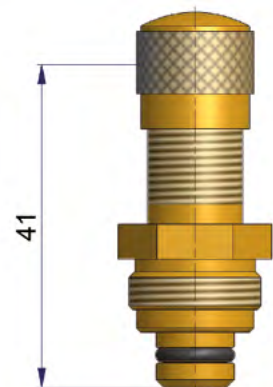
	A	Quantity per box
(1) <b>R-0823-1</b>	50	1
(2) <b>R-0825-1</b>	75	
(3) <b>R-0826-1</b>	100	
(4) <b>R-0827-1</b>	130	



	A	Quantity per box
(1) <b>R-0822-1</b>	60	1
(2) <b>R-1124-1</b>	100	



	Quantity per box
<b>R-0824-1</b>	1

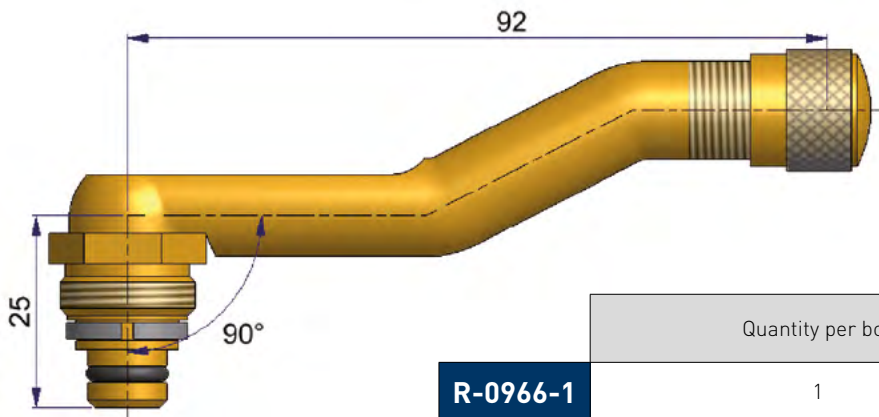


(V5.03.1)	Designation	Quantity per box
<b>R-1009-1</b>	For valves placed 100 mm from hook	1

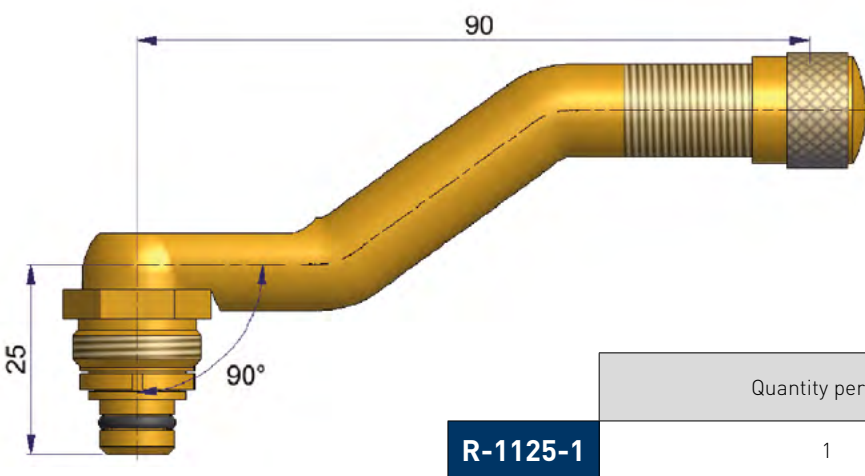
# TUBELESS OR EURO INNER TUBE VALVES (LB)



## ► SWIVEL VALVES



<b>R-0966-1</b>	Quantity per box
	1



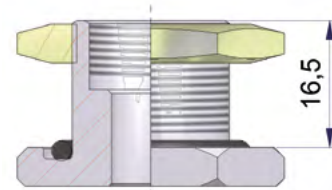
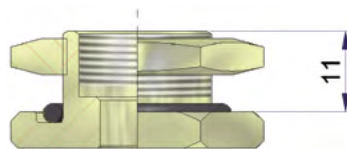
<b>R-1125-1</b>	Quantity per box
	1

Grease the coupler washer before mounting.  
(O-ring S-4012-2)

## ► TUBELESS 20.5

Metal spud for swivel valve

Nut tightening torque 19 to 22 N.m. [O-ring seal R-1420-2]



	<b>R-0965-1</b>	<b>R-0829-1</b>
Designation	Metal spud for countersunk rim hole	Metal spud for non-countersunk rim hole
Quantity per box	1	1

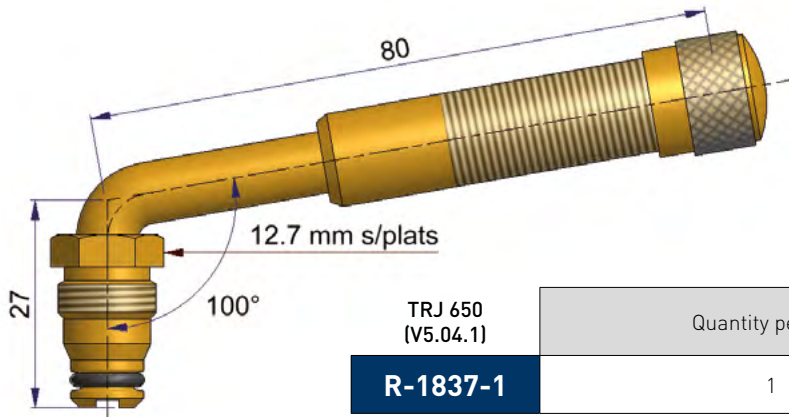


## VALVES FOR AMERICAN TYPE TUBELESS (LB)

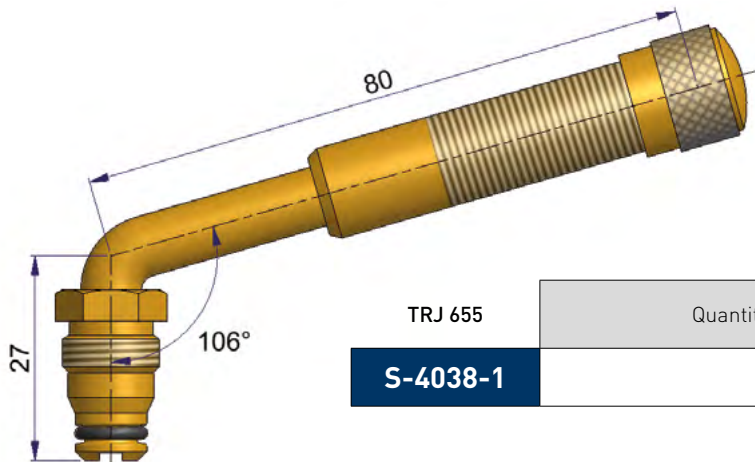
▶ FOR SPUD

20.5

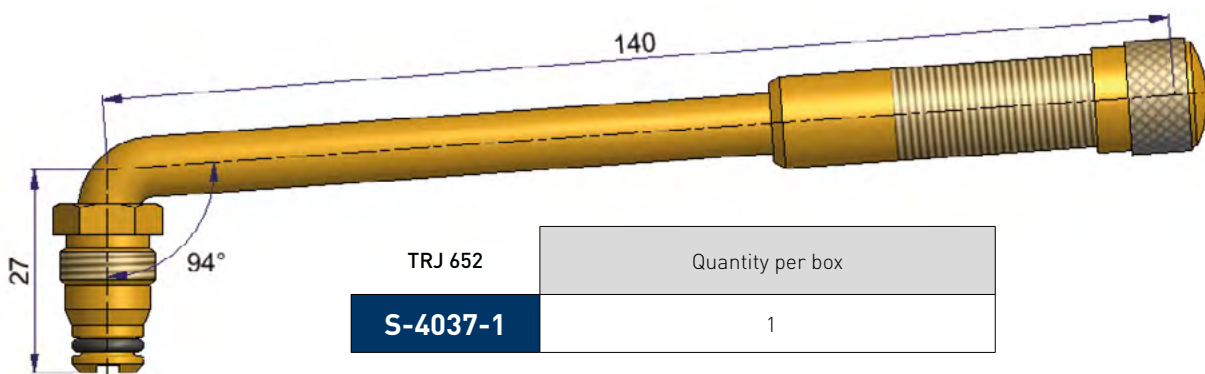
- Valve mounting torque: 7.7 to 8.8 N.m.
- Grease the coupler washer before mounting.
- These valves are used with spud R-1842-1. (O-ring S-4012-2)



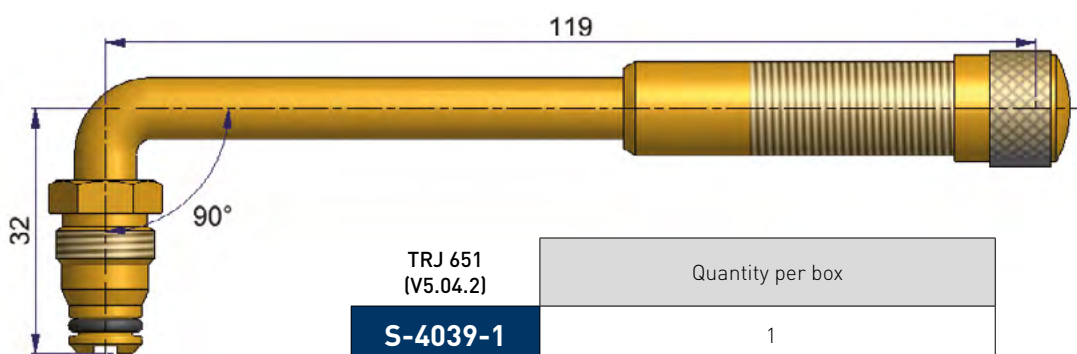
TRJ 650 (V5.04.1)	Quantity per box
<b>R-1837-1</b>	1



TRJ 655	Quantity per box
<b>S-4038-1</b>	1



TRJ 652	Quantity per box
<b>S-4037-1</b>	1

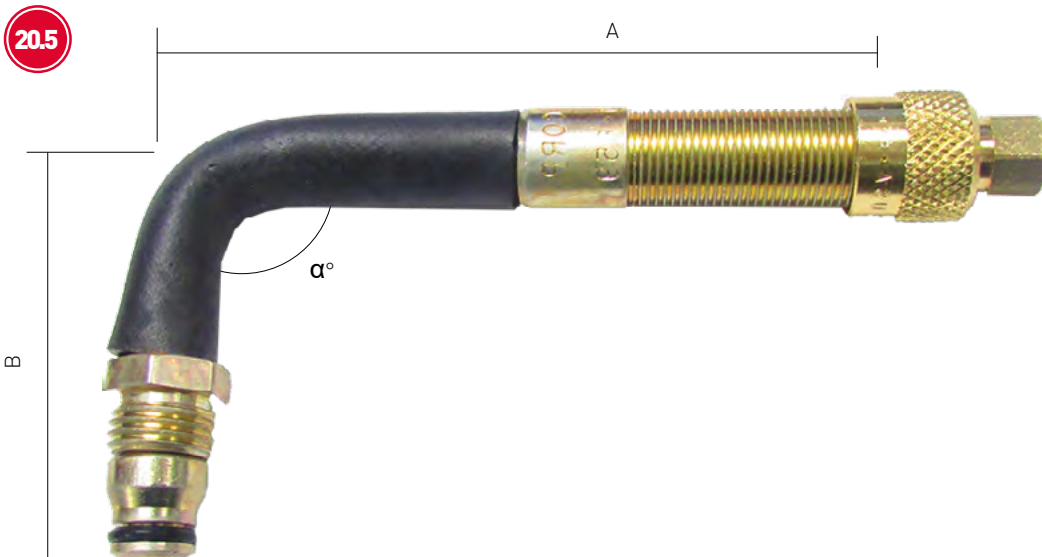


TRJ 651 (V5.04.2)	Quantity per box
<b>S-4039-1</b>	1

# VALVES FOR AMERICAN TYPE TUBELESS (LB)



## ► FOR SPUD



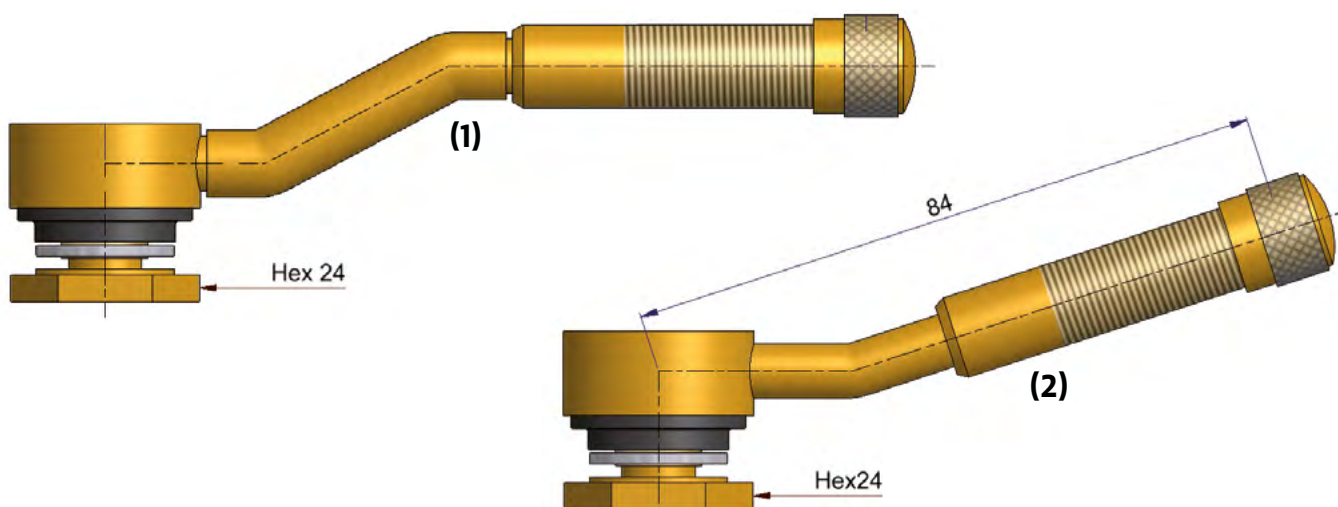
	61302-67	61303-67	61316-67	61317-67	61318-67
Code	WH-58-2-45C (*)	WH-50-J-659	WH-300-J-653	WH-45-5	WH-54-6
TR no.	-	J-659	J-653	J-4000-5	-
$\alpha^\circ$	45	90	80	80	90
Dimensions A (mm/ ") B (mm/ ")	50.8 / 2 .482-26 27.4 / 1.08 1/2-20	88.9 / 3 1/2 50.4 / 1 57/64	63.5 / 2 1/2 27.4 / 2 5/64	127 / 5 27.4 / 1 5/64	152.4 / 6 60.8 / 2 25/64
Quantity per box	1	1	1	1	1
Type of gear	Caterpillar 773	Caterpillar 777B/C	-	-	-

(\* ) Valve sold complete with connector, core and cap

## ► MONOBLOCK

20.5

Nut mounting torque: 19 to 22 N.m.



	S-4023-1 (1)	S-4022-1 (2)
	TRJ 690	TRJ 691 (V5.09.1)
Quantity per box	1	1

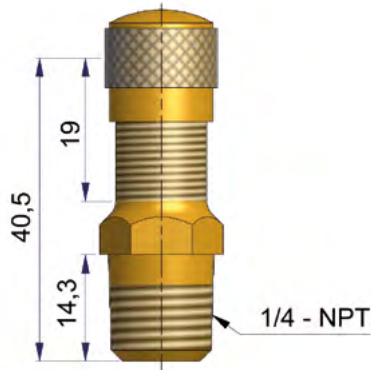


## VALVES FOR AMERICAN TYPE TUBELESS (LB)

► FOR SPUD

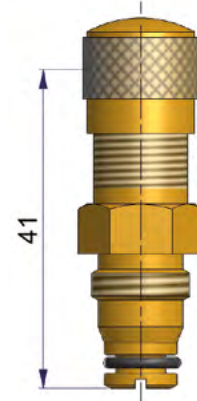
20.5

Nut mounting torque:  
19 to 22 N.m.

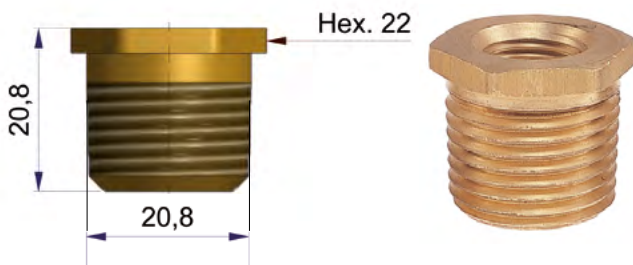


S-4030-1	
	TRJ 690
	Assembly without connector
Quantity per box	1

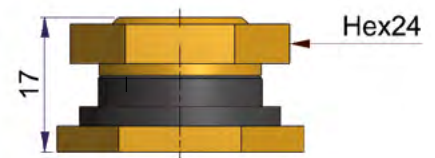
Nut mounting torque:  
7.7 to 8.8 N.m.



R-0979-1	
	[V5.03.1] TRJ 670
Code	H-42
Spare washer	S-4012-2
Quantity per box	1



66780-67	
	TR-SP3
Code	C-10
Designation	Screwable spud 1/2" NPT Replacement without dismounting the tire
Quantity per box	1



	R-1842-1	R-1842-2
Code	H-41 <sup>2</sup>	
Spare washer	TR RG 22 R-1642-2	
Quantity per box	1	10



## EXTENSIONS (LB)

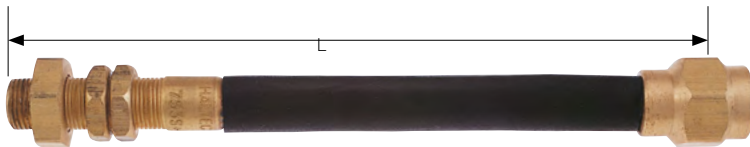
### ► FLEXIBLE EXTENSIONS

- Equipped with 2 locking nuts and a caulking nut to screw onto the valve.
- Delivered without cap or core (to be recovered from the valve).



	Code	Useful W. (mm)	Pieces per bag
	<b>66757-67</b>	810F-5	140
	<b>66758-67</b>	810F-6	162
	<b>66759-67</b>	810F-7	178
	<b>66760-67</b>	810F-8	210
	<b>66761-67</b>	810F-12	305
	<b>66762-67</b>	810F-13	343
	<b>66763-67</b>	810F-16	406
	<b>66764-67</b>	810F-18	470
	<b>66765-67</b>	810F-21	546
	<b>66766-67</b>	810F-23	597
	<b>66767-67</b>	810F-25	635
	<b>66768-67</b>	810F-29	749
	<b>66769-67</b>	810F-32	813
	<b>61314-67</b>	810F-40	1016

### ► FOLDABLE EXTENSIONS



- Equipped with 2 locking nuts and a caulking nut to screw onto the valve.
- Delivered without cap or core (to be recovered from the valve).

	Code	Useful W. (mm)	Pieces per bag
	<b>66747-67</b>	753S-4	102
	<b>66748-67</b>	753S-8	203
	<b>66749-67</b>	753S-10	254
	<b>66750-67</b>	753S-12	305
	<b>66751-67</b>	753S-16	406
	<b>66752-67</b>	753S-18	457
	<b>66753-67</b>	753S-20	521
	<b>66754-67</b>	753S-24	622
	<b>66755-67</b>	753S-29	749
	<b>66756-67</b>	753S-32	813

### ► RIGID BRASS EXTENSIONS

- (1) Equipped with hexagonal cap.
- (2) Equipped with hexagonal cap and 2 nuts.

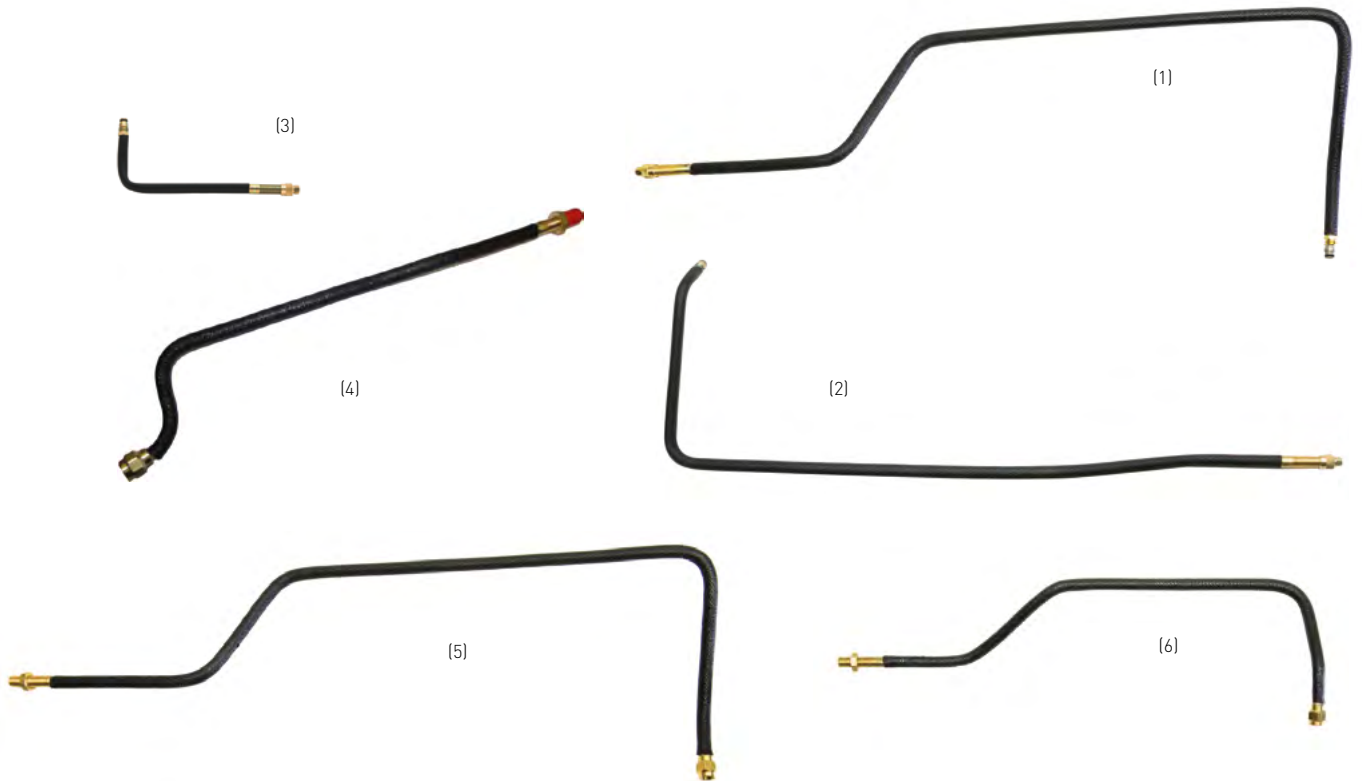


	Code	Useful W. (mm)	Pieces per bag
(1)	<b>66770-67</b>	867-2	51
(1)	<b>66771-67</b>	867-3	76
(1)	<b>66772-67</b>	867-4	102
(1)	<b>66773-67</b>	867-5	127
(2)	<b>66774-67</b>	867-6	153
(2)	<b>66775-67</b>	867-8	203
(2)	<b>66776-67</b>	867-9	229
(2)	<b>66777-67</b>	867-10	254
(2)	<b>66778-67</b>	867-13	330





## VALVES AND EXTENSIONS FOR CATERPILLAR® EQUIPMENT (LB)



### ▶ VALVES

	61306-67	61304-67	61305-67
	(1)	(2)	(3)
Code	WHG-5112VC	WHG-8018VC	WHG-8019VC
Designation	Quadruple-bend valve	Quadruple-bend valve	Single-bend valve
Dimensions W. (mm)	721	679	203
Dimensions Length: (")	28 3/8	26 3/4	8
Quantity per box	1	1	1
Type of gear	Caterpillar 777 D	Caterpillar 777 B/C	Caterpillar 777 B/C Caterpillar 777 D Caterpillar 777 F

### ▶ MULTI-BEND RIGID EXTENSIONS

	61301-67	61307-67	61311-67
	(4)	(5)	(6)
Code	WHD-0585EC	WHD-7949EC	WHD-7948EC
Designation	Quadruple-bend extension	Quadruple-bend extension	Quadruple-bend extension
Dimensions W. (mm)	456	733	524
Dimensions Length: (")	17 15/16	28 7/8	20 5/8
Quantity per box	1	1	1
Type of gear	Caterpillar 773	Caterpillar 775 G Caterpillar 777 F	Caterpillar 775 G

# VALVES FOR AMERICAN TYPE TUBELESS (SLB)

20.5

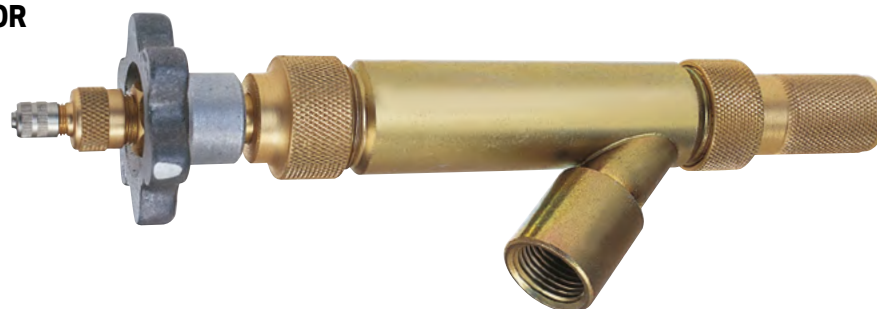


	66786-67	61310-67	61309-67	66097-67
Code	R-525	R-660	R-675	R-520 // TR-CH-8
Designation	Directionable 90° elbow	Directionable 60° elbow	Directionable 75° elbow	-
Quantity per box	1	1	1	1
Type of gear	-	Caterpillar 785 D Caterpillar 789 D Caterpillar 793/793 F	-	-



	66793-67	66794-67	66781-67	66782-67
Code	T-81	T-82	C-100	C-155
Designation	TR-SP8 Spud	TR-SP8 Long spud	Spud with screwable valve 1/2" NPT	spud without screwable valve 1/2" NPT
Use			with 66097-67, 66786-67, 61310-67 and R-61309-67	with 66786-67, 61310-67 and R-61309-67
Quantity per box	1	1	1	1

## ► INFLATION/BALLASTING CONNECTOR



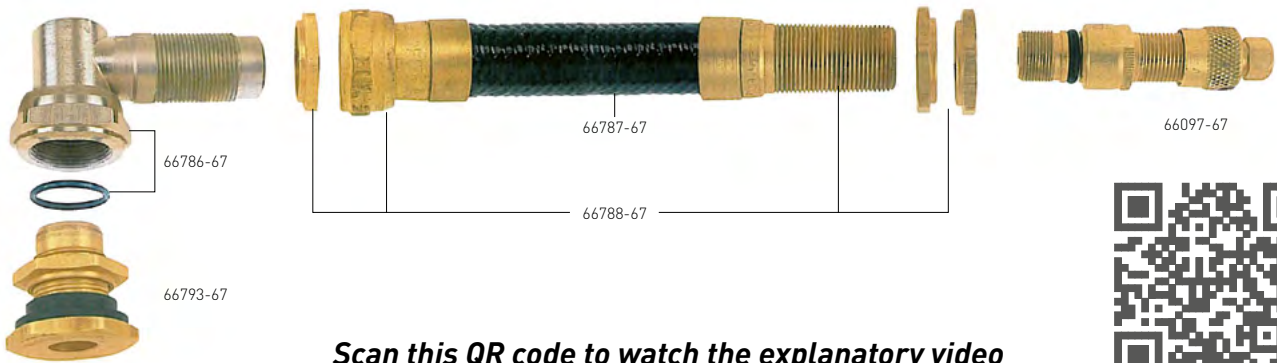
- During inflation, the air pressure in the tire can be checked by connecting an inflating gauge onto the system.
- Reduces inflating time by 60% and deflating time by 80%.
- Can be used to ballast tires with a liquid on SLB valves.

TR-AD-8	Code	Designation	Quantity per box
<b>66783-67</b>	IN-80A	Complete inflation/ballasting connector TR-AD-8 for connection onto air chuck 1/2"	1



## VALVES FOR AMERICAN TYPE TUBELESS (SLB)

### ▶ EXAMPLE OF COMPLETE MOUNTING



Scan this QR code to watch the explanatory video



Video



Rallonges Gros Débit

### ▶ ASSEMBLY KIT FOR ON-SITE REPAIR



	Code	Designation	Quantity per box
<b>66787-67</b>	R-760	Hose coil 15 m 1/2" for kit 66788-67	1

	Code	Case contents	Quantity per box
<b>66788-67</b>	R-969K	1 complete valve mounted with core and cap (1) 1 rotating coupler (2) 1 extender (3) 2 rings (4) 2 nuts (5)	1



	Code	Designation	Quantity per box
<b>66791-67</b>	S-7910	Clamping lug for SLB extension	1

### ▶ CRIMPING KIT

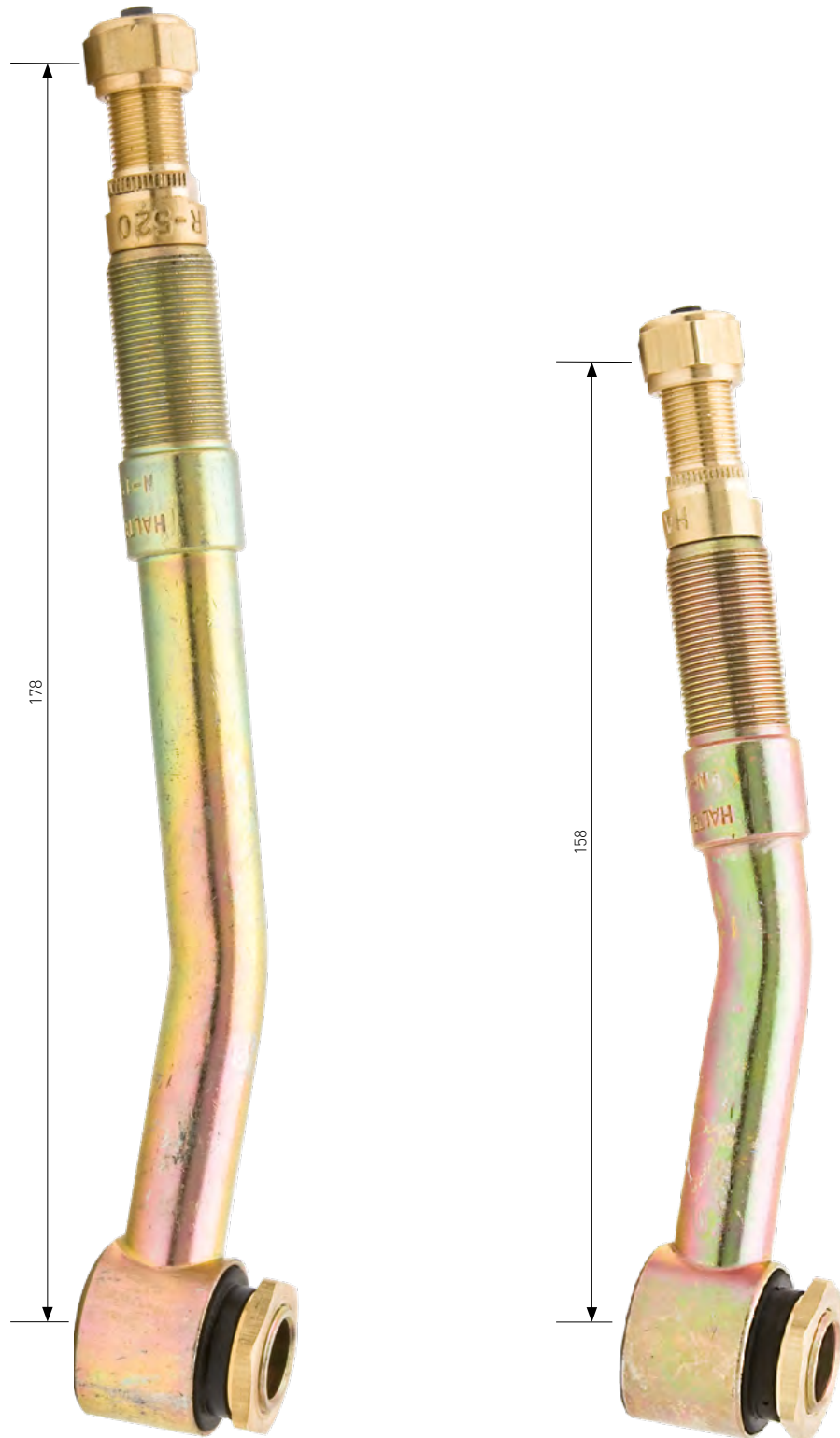


	Code	Designation	Quantity per box
<b>61308-67</b>	T-620	Complete manual crimping kit (set with stabilising bar + threaded stem and screw + nut)	1



# TUBELESS VALVES FOR CATERPILLAR® EQUIPMENT (SLB)

20.5



	66098-67	66099-67
Code	N-1538B	N-1543A
Valve angle	15°	15°
Pieces per box	1	1



## Chapter 3

**Maintaining the correct tire pressure is the best way to ensure passenger safety and extend tire life.**

**Cores and caps compliant with ETRTO, ISO,... and other international standards can guarantee the right pressure level.**

The cores and caps sold in the aftermarket are all OE products, the same ones are factory-installed, and are approved by both car and tire manufacturers. The core and sealing cap work together to effectively seal the valve.

### **CORES:**

- The VALVE CORE is designed to keep the air inside the tire or in the air-conditioning circuits
- Replace it each time you change your tire
- When inflating your tire, use a coupler in good condition and clean air
- Adhere to the recommended tightening torques
- To install the core at the correct torque, use tool 66690-67

The cores listed in this catalogue are only for use on automobiles.

### **CAPS:**

The SEALING CAP is the only cap that guarantees that the valve is airtight

- The cap protects the entire inside of the valve (inlet, core) by preventing foreign matter getting into the functional part of the valve core and by preventing plunger leakage

## VALVE CORES AND CAPS



- Valves cores ..... 50
- Valves caps ..... 51

## CORES

### STANDARD FLOW



	37992-69	37992-80	43078-69
Body material	Nickel-plated brass		Nickel-plated brass
Seal	Teflon		Teflon
Tightness torque (N.m)	0.23 to 0.56		0.23 to 0.56
Operating pressure (bar)	0 to 14		0 to 14
Use			Core specially recommended for bead-balanced wheels
Quantity per box	100	1000	100

### LARGE BORE



	R-0765-2	S-4587-2	R-0821-2
Body material	Enamelled brass	Nickel-plated brass	Brass
Seal	Nitryl	Teflon	Silicon
Tightness torque (N.m)	0.7 to 1.1	0.4 to 0.7	0.8 to 1.1
Operating pressure (bar)	0 to 14	0 to 20	0 to 14
Use			Clapet for spud in Brass
Quantity per box	10	10	10



	Description	Quantity per box
<b>T66690</b>	Tool for tightening cores with tightening torque pre-set to 0.40 N.m.	1
<b>T66690-10</b>		10

## CAPS

### VALVE CAPS



	S-4000-3	S-4000-5	30307-63	30307-53	30307-54	30307-57	30307-58
Body material	Polyethylene		Polyethylene		Polyethylene	Polyethylene	Polyethylene
Colour	black		vert		blue	yellow	red
Tightness torque (N.m)	0.2 to 0.3		0.2 to 0.3		0.2 to 0.3	0.2 to 0.3	0.2 to 0.3
Quantity per box	100	1000	100	1000	100	1000	5000





## CAPS

### ▶ CAPS TO SEAL

NBR: Nitryl-butadiene.



	R-1424-3	37900-65	37900-58
Body material	Polyamide	Polyamide	
Seal	NBR	NBR	
Tightness torque (N.m)	0.2 to 0.35	0.2 to 0.35	
Use		Recommended for wheels balanced with beads	
Colour	black	red	
	High-temperature with washer	High-temperature with washer	
Quantity per box	100	100	5000

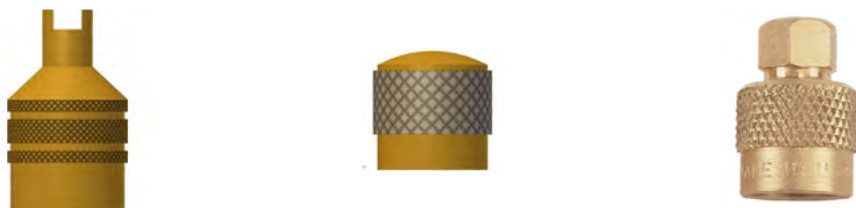
### ▶ METAL CAPS



	33792-69
Body material	Knurled sealing cap Nickel-plated brass
Tightness torque (N.m)	0.2 to 0.35
ETRTO	V9.04.3
Quantity per box	100



### ▶ CAPS



	S-4653-2	R-0766-2	61323-67
	With metal core remover	Knurled sealing cap	Knurled for tightening with pliers
Body material	Brass	Brass	Brass
Seal	-	NBR	-
Tightness torque (N.m)	0.3 to 0.5	0.3 to 0.5	0.3 to 0.5
Quantity per box	10	10	1
Code	-	-	A-149

## Chapter 4

### **TRUCK WEIGHTS.**

A range of weights for balancing truck tires and rims in steel and aluminium with clamp or adhesive attachment.

### **TRUCK BALANCING BEADS.**

The beads will automatically balance the complete wheel assembly whatever the wheel position on both trucks and trailers thanks to the centrifugal force effect.

## BALANCING PRODUCTS



• Weights for trucks .....	54
• Pliers for weights .....	55
• Truck balancing beads .....	56

## BALANCE WEIGHTS



**Pb**  
**LEAD**

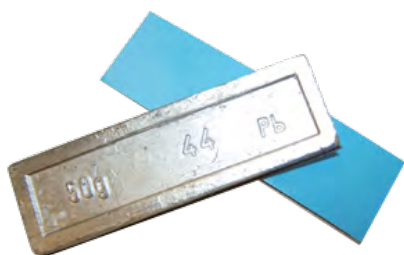
### ▶ WEIGHTS WITH BUILT-IN SPRINGS FOR STEEL RIMS



	Weight mass (g)	Quantity per box
<b>60219-39</b>	50	50
<b>60220-39</b>	75	50
<b>60221-39</b>	100	50
<b>60222-39</b>	150	25
<b>60223-39</b>	200	25
<b>60224-39</b>	250	25
<b>60225-39</b>	300	20

### ▶ PLASTIFIED ADHESIVE WEIGHTS FOR ALUMINIUM TRUCK RIMS

- Operating temperature up to 150°C.
- Grey metal epoxy coating to prevent corrosion of the rim.
  - Adhesive can be repositioned.



	Weight mass (g)	Quantity per box
<b>33762-67</b>	50	10
<b>33763-67</b>	75	10
<b>33764-67</b>	100	10
<b>33765-67</b>	125	10
<b>33766-67</b>	150	10
<b>33767-67</b>	200	10



	No. of bars per box	Division	Dimensions (mm)
<b>66120-67</b>	25	5 x 20 g = 100g	Thickness 8 width: 15 length: 108.5

## PLIERS FOR WEIGHTS



	Designation	Quantity per box
<b>65463-67</b>	All-purpose balance weight plier with soft head	1



# BALANCING BEADS FOR UTILITY AND 4X4 VEHICLES



## ▶ ELECTROSTATIC CLING BALANCING BEADS

- The beads automatically balance the complete wheel assembly whatever the wheel position, on both trucks and trailers thanks to the centrifugal force effect.
- The wheel assembly remains balanced even when the vehicle is stopped.
- Tire is balanced during its life time.
- No machinery needed.
- The product is environmentally friendly.
- Increases fuel economy and tire life.



	Contents		Qty. of packs per box
<b>65115-67</b>	113 g	4 oz	96
<b>65116-67</b>	142 g	5 oz	76
<b>65117-67</b>	170 g	6 oz	64
<b>65118-67</b>	227 g	8 oz	52
<b>65119-67</b>	282 g	10 oz	40
<b>65120-67</b>	340 g	12 oz	36
<b>65121-67</b>	397 g	14 oz	32
<b>65122-67</b>	454 g	16 oz	28

Parts sold in bags



Download the Counteract application for precise calculation of the appropriate quantity

**INSTRUCTIONS FOR USE**

- For satisfactory results, check the table of recommended quantities according to the size of the tire to be balanced.  
Simply open the packaging and place the bag inside the tire.  
This method allows for use of an inflator gauge to place the tire on the rim.
  - Mandatory leak test after handling.
- The pressure inside the tyre will disintegrate the bag containing the beads.
- The beads automatically balance the turning mechanical and wheel turning unit.
  - Use the vacuum to remove beads inside the tyre before retreading.



	Designation
<b>66887-67</b>	Truck balancing beads, 7.5 kg bucket

Each bag of beads is sold with a core 43078 and a red cap 37900.



	Designation	Tightness torque (N.m)	Quantity per box		Designation	Tightness torque (N.m)	Operating pressure (bar)	Quantity per box
<b>37900-65</b>	Cap for identification of bead-balanced tires.	0.2 to 0.35	100	<b>43078-69</b>	Core specially recommended for bead-balanced wheels.	0.23 à 0.56	0 to 14	100
<b>37900-58</b>			5000					

## Chapter 5

### USING INFLATING GAUGES.

For best use of inflating gauges, we recommend that you:

- Check that the needle is positioned at zero  $\pm$  0.1 bar before each use
- Make sure you regularly bleed the compressed air network
- Use filtered, non-lubricated air
- Connect the device to a hose reel
- Regularly check airtightness intake and outlet valves
- Not overtighten the intake side coupler
- Never lock the inflating gauge handle while in use

Puncture prevention products contained in tires are corrosive and prevent gauges from functioning correctly.

Follow the user instructions for water-ballasted tires.

### SAFETY RECOMMENDATION.

#### Length of outlet hose:

L = 1.50 m

L = 3 m 

L = 6 m 

#### "DIRECCTE" APPROVAL FOR GAUGE APPROVAL

No. 11.10.821.008.4 of 26 July 2011

Regional directorate for competition, consumption, labour and employment.



"DIRECCTE" approves the quality insurance system implemented by SCHRADER S.A.S. for the manufacture of mechanical manometers for automobile vehicle Tires covered by E.C.-approved certificate models and for the affixing of their E.C. initial verification marks.



## INFLATION AND COMPRESSED AIR EQUIPMENT









- Electronic inflating gauges with handles ..... 62  
DIGITAIR® - EURODIGIT®
- Mechanical inflating gauges with handle ..... 63-64  
UNIVAIR® - EURODAINU®
- Mechanical inflating gauges with buttons ..... 65  
MASTAIR®
- Mechanical pressure gauges ..... 66  
ARIVAIR - EURODAIRA®
- Example of pressure gauge assembly ..... 67
- Inflation fittings and connectors ..... 68
- Inflation nipples and couplers ..... 71-72
- Air guns, rapid inflation systems ..... 73
- Booster ..... 74
- Pump rings ..... 75
- Automatic winders and hoses, blow gun ..... 76 - 77
- Compressed-air couplers ..... 78 - 79
- Compressed-air equipment ..... 78 - 79
- Inflation terminals ..... 82 - 83



## ► CHOOSING A PRESSURE GAUGE



			
	<b>Digit'air</b>	<b>Eurodigit</b>	<b>Univ'air</b>
<b>Low pressure</b>	■	■	
<b>Auto calibration</b>	■	■	
	■	■	■
			■
			■
<b>Actuation</b>	<b>Handle</b>	<b>Handle</b>	<b>Handle</b>
<b>Display</b>	<b>Digital</b>	<b>Digital</b>	<b>Needle</b>
<b>Max overpressure</b>	<b>15 bar</b>	<b>15 bar</b>	<b>13.75 bar</b>









# MADE IN PONTARLIER, FRANCE



French-made pressure gauges are manufactured each day in Pontarlier, thanks to you!

## ► CHOOSING A PRESSURE GAUGE



	
<b>Eurodainu</b>	<b>Mast'air</b>
	
	
	
<b>Handle</b>	<b>Buttons</b>
<b>Needle</b>	<b>Needle</b>
<b>13.75 bar</b>	<b>15 bar</b>



# ELECTRONIC INFLATING GAUGES WITH HANDLE

AIR OR NITROGEN USE

## DIGIT'AIR®

## EURODIGIT®



0.10 to 11 bar

**AUTOMATIC CALIBRATION  
OF 0 UPON EACH USE**



(1)  
DIGITAIR

(2)  
EURODIGIT



- Certificate of EC approval for LNE model N° 26944.
- LNE quality system certificate of approval No. 28617.
- German PTB certificate of approval.
- Declaration of verification delivered with product.

• Design - Robustness:

- Very high level of measuring accuracy and maintenance of accuracy in the event of impact on the device
- Strength: high-quality thermoplastic components
- Corrosion-resistant thanks to internal mechanism made of specific materials
- Air filtration in the indicator mechanism via microporous stainless steel and nickel silver filter
- Device able to withstand accidental overpressure of 13.75 bar.

• Technology:

- Automatic reset of zero on each inflation to prevent measurement drift
- Resolution of 0.01 bar
- Operating temperature: -25°C to +60°C
- Easy to read, thanks to numbers with a height of 12 mm, display of the last smallest digit
- Visual inspection of proper operation of digits on each pressurisation
- Automatic turn on of pressure gauge when pressurised (Connection to the valve)
- Automatic turn off when pressure removed or at constant pressure for more than 10 seconds
- Battery service life: 10 years after manufacture in temperate environment (the battery is not replaceable)



initialisation Video

	Graduation	Hose 7 x 13 mm		Air inlet side Torquer	Use
		length (m)	Hose P/N		
(1) <b>39926-00</b>	0.10 to 11 bar	3	40117-67	F-G 1/4	
(2) <b>39928-00</b>					
(1) <b>39921-00</b>	0.10 - 11 bar	6	40122-67	F-G 1/4	
(2) <b>39931-00</b>					
(1) <b>39923-00</b>	1.4 - 160 psi (*)	6	40122-67	F-G 1/4	
(2) <b>39933-00</b>					
(1) <b>39925-00</b>	10 kPa - 1100 kPa (*)	6	39065-00	F-G 1/4	

\* Sold for export only and according to local regulations.

The LNE and DIRECCTE certificates apply only to pressure gauges graduated in bar.

## MECHANICAL INFLATING GAUGES WITH HANDLE

**AIR OR NITROGEN USE**

# UNIV<sup>AIR</sup>



(1)  
UNIVAIR



**0.7 to 11 bar**



(2)  
UNIVAIR



- Certificate of EC approval for LNE model No. 6952.
- DIRECCTE quality system certificate of approval No. 14.10.821.003.4.
- Declaration of verification delivered with product.

- Air inlet connector F G 1/4
- Watertight performance reinforced with a transparent dial.
- Rubber protector around the measuring system.
- Very high measuring accuracy with this level of accuracy maintained in the event of an impact on the device.
- Robustness: IXEF material in glass fibre-reinforced high technology plastic.
- Safety handle.
- Corrosion resistant internal mechanism.
- Air filtered in the indicator mechanism by stainless steel and nickel silver micro-porous filter.
- Device resistant to accidental high pressure of 13.75 bar in compliance with the standard.

	Graduation	Hose 7 x 13 mm		Air inlet side Torquer	Use
		Length (m)	Hose P/N		
(1) <b>39701-00</b>	0.7 to 11 bar	3	40117-67	F- G 1/4	
(1) <b>39703-00</b>	0.7 to 11 bar	6	40122-67	F- G 1/4	
(2) <b>66892-00</b>	0.7 to 11 bar / 10 to 160 psi *	6	40122-67	F- G 1/4	

Sold without air inlet nozzle

\* Sold for export only and according to local regulations.  
The LNE and DIRECCTE certificates apply only to pressure gauges graduated in bar.

## MECHANICAL INFLATING GAUGES WITH HANDLE



AIR OR NITROGEN USE



# EURODAINU®



**0.7 to 11 bar**

- Rubber protector around the measuring system.
- Very high measuring accuracy with this level of accuracy maintained in the event of an impact on the device.
- Robustness: IXEF material in glass fibre-reinforced high technology plastic.
- Safety handle.
- Corrosion resistant internal mechanism.
- Air filtered in the indicator mechanism by stainless steel and nickel silver micro-porous filter.
- Device resistant to accidental high pressure of 13.75 bar in compliance with the standard.



- Certificate of EC approval for LNE model N° 33762.
- DIRECCTE quality system certificate of approval
- Declaration of verification delivered with product.

	Graduation	Hose 7 x 13 mm		Air inlet side Torquer	Use
		Length (m)	Hose P/N		
<b>38879-58</b>	0.7 to 11 bar	3	<b>40117-67</b>	F-G 1/4	
<b>38902-58</b>	0.7 to 11 bar	6	<b>40122-67</b>	F-G 1/4	

Sold without inlet nozzle

## MECHANICAL INFLATING GAUGES WITH BUTTONS



AIR OR NITROGEN USE

# MAST' AIR



**0.7 to 12 bar**

#### ADVANCED TECHNOLOGY AND DESIGN





- Built in + / - buttons make inflating virtually effortless.
- Rotatable nipples (air inlet/outlet) make for simple and easy handling.
- Quick pressure adjusting.
- Slanted, coloured dial for easy read-out.

#### SOLID CONSTRUCTION

- Shock-resistant ABS material.
- Hangs anywhere thanks to its handy bracket.
- Watertight glass shield



- Certificate of EC approval for LNE model N° 25820.
- DIRECCTE quality system certificate of approval
- Declaration of verification delivered with product.

	Graduation	Hose 7 x 13 mm		Air inlet side Torquer	Use
		Length (m)	Hose P/N		
<b>39093-00</b>	0.7 to 12 bar	3	<b>40117-67</b>	R-0987-2 (Drake)	
<b>39001-00</b>	0.7 to 12 bar	6	<b>40122-67</b>	R-0987-2 (Drake)	
<b>39104-00</b>	0.7 to 12 bar / 10 to 170 psi (*)	3	<b>40117-67</b>	R-0987-2 (Drake)	
<b>39101-00</b>	0.7 to 12 bar / 10 to 170 psi (*)	6	<b>40122-67</b>	R-0987-2 (Drake)	

Sold without inlet nozzle

\* Sold only outside of France and according to country regulations.  
The LNE and DIRECCTE certificates apply only to pressure gauges graduated in bars.

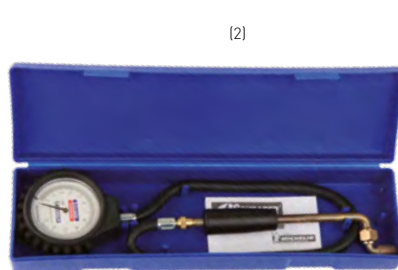
## PRESSURE GAUGES



AIR OR NITROGEN USE

# ARIVAIR

# EURODAIRA®



(1)  
ARIVAIR

**0.7 to 12 bar**

(2) (3)  
EURODAIRA

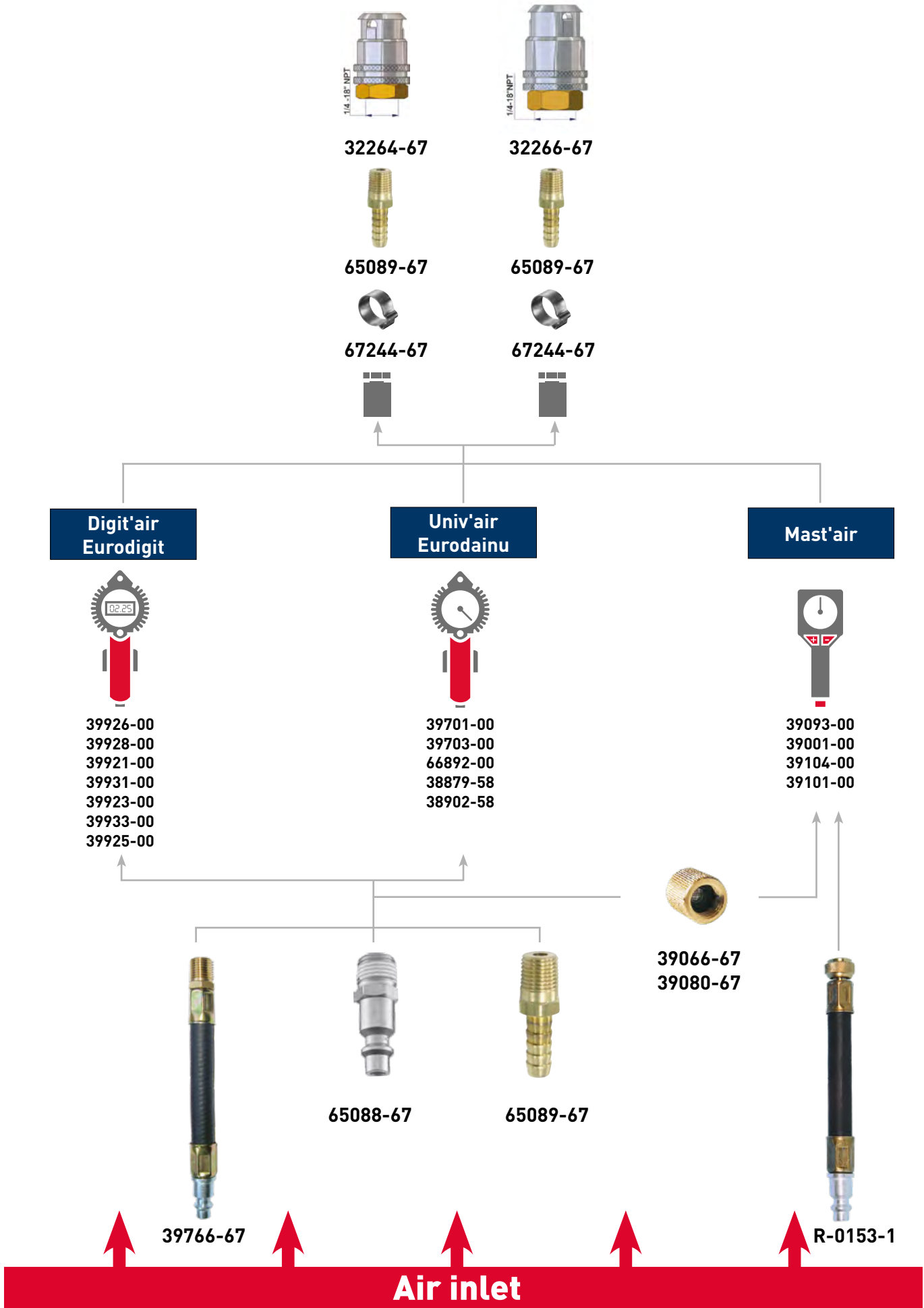
- Reliability
- Robustness
- Accuracy
- By changing the tube fitting, the monitor can be used for trucks or construction applications.
- Improved leaktightness thanks to use of a snap-on transparent cover.
- Elastomer protector covering the measuring system.
- Very high level of measuring accuracy and maintenance of accuracy in the event of impact on the device.
- Strength: Mineral-fibre-reinforced copolyamide material.
- Device able to withstand accidental overpressure of 15 bars.

	Graduation	Hose 5 x 10 mm Length [m]	Angled air chucks	Use
(1) <b>38075-99</b>	0.7 to 12 bar	0.5	R-0415-1	
(2) <b>38048-99</b>				
(1) <b>38076-99</b>	0.7 to 12 bar / 10 to 170 psi *	0.5	R-0415-1	
(2) <b>38049-99</b>				
(3) <b>R-1782-1</b>	0.7 to 12 bar	0.5	-	
(3) <b>R-1781-1</b>				
(1) <b>38077-99</b>	0.7 to 12 bar	0.5	R-0933-1	
(2) <b>38038-99</b>				
(1) <b>38078-99</b>	0.7 to 12 bar / 10 to 170 psi *	0.5	R-0933-1	
(2) <b>38039-99</b>				

\* Sold for export only and according to local regulations.

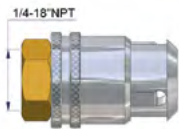
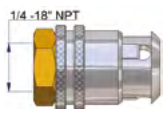


## EXAMPLES OF PRESSURE GAUGE ASSEMBLY



# INFLATION NIPPLES AND COUPLERS

Ring for secure connection onto valve by locking of clamps.



32264-67	32266-67	65089-67
Quick inflating nipple clamp coupler, valve side	Quick LB clamp inflation nipple, valve side	Junction connector for hose Ø int. 6 - 7 mm conical threaded G 1/4



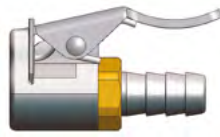
39066-67	39080-67	65088-67
Adaptor G 1/4 for Mastair and Maestro	Adaptor G 1/4 with filter for Mastair and Maestro	Teflon-coated threaded quick coupler G 1/4



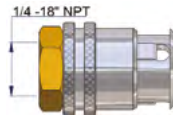
39766-67	R-0153-1
Intermediate-sized nipple for inflating gauges with a G 1/4 air inlet coupler	Intermediate-sized nipple for inflating gauges with a coupler R-0987-2 (Drake) (see quick F couplers page ???)

## INFLATION NIPPLES AND COUPLERS

### ▶ COUPLERS FOR HOSES INTERNAL Ø 7 MM

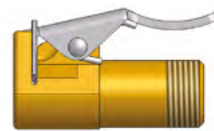
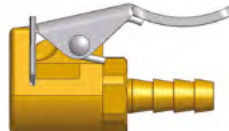
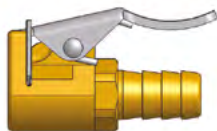


	R-0985-2	R-0985-1	R-0986-2
Description	Valve side inflation nipple for hose 7 x 13 mm	Nipple R-0985-2 in skin-pack for display purposes	House coupler, outlet side for hose 7 x 13 mm
Spare washer	R-0518-2	R-0518-2	
Quantity per box	10	1	10



	(*) R-0987-2	32264-67	R-1430-2
Description	Rotating nipple inlet side for hose 7 x 13 mm	Quick inflating nipple clamp coupler, valve side	Collet for hose 7 x 13
Quantity per box	10	1	10

### ▶ OTHERS CONNECTORS

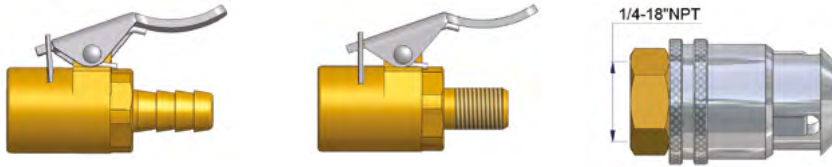


	41291-68 41291-09	R-0517-2	R-1296-1	(*) R-3500-2
Description	Inflation nipple valve side for 8 mm hose (Spare washer R-0518-2)	Valve side inflation nipple for hose 5 x 10 mm (Spare washer R-0518-2)	Nipple for adapting EM to truck	Rotating nipple for flexible hose extensions ø int. of 5 mm
Quantity per box	10 500	10	1	10

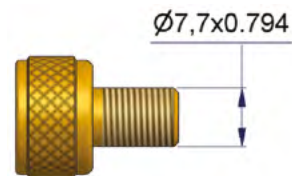
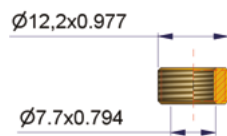
(\*) Knurled nipples: hand-tightened only.

# INFLATION NIPPLES AND COUPLERS

## ► LARGE BORE CONNECTORS



	<b>R-0984-1</b>	<b>R-0767-1</b>	<b>32266-67</b>
Description	Earthmover inflation nipple for hose $\varnothing$ int. 7 mm (Spare washer R-0917-2)	Standard / LB intermediate mobile nipple (Spare washer R-0917-2)	Quick LB clamp inflation nipple, valve side
Quantity per box	1	1	1



	<b>R-0736-2</b>	<b>R-0697-1 (*)</b>
Description	Ring for mounting of large-bore valves on truck spuds	Mobile nipple to adapt LB mouths to trucks
Quantity per box	10	1

(\*) Knurled nipples: hand-tightened only.

## ► EAR COLLARS



	<b>67163-68</b>	<b>65097-68</b>	<b>65096-68</b>	<b>65095-68</b>	<b>67244-68</b>
Description	For tube $\varnothing$ ext. 29 mm	For tube $\varnothing$ ext. 27 mm	For tube $\varnothing$ ext. 20 mm	For tube $\varnothing$ ext. 16 mm	For tube $\varnothing$ ext. 13 mm
Quantity per box	10	10	10	10	10

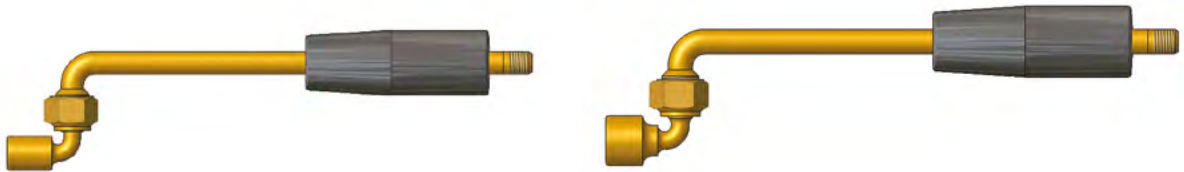
## INFLATION ACCESSORIES



### ▶ HOSE 7X13 FOR INFLATING GAUGES




	40117-67	39065-00	40122-67
Description	For DIGITAIR, UNIVAIR, EURODAINU, MAESTRO & MASTAIR		For UNIVAIR, EURODAINU & MASTAIR (Earthmover)
Length (m)	3		6
Type	Woven braid, rotating nut, nipple R-0985-2		Woven braid, rotating nut, nipple R-0984-1

### ▶ INFLATING CHUCKS



	R-0415-1	R-0933-1
Description	Makes pressure checking easier on valves that are difficult to get to or twin valves	Makes pressure checking easier on valves that are difficult to get to or twin valves
Use		



	61181-67
Description	Double nipple specially designed for twin wheels
Use	

## INFLATION ACCESSORIES



### ▶ HOSE 5X10 FOR EURODAIRA PRESSURE GAUGES



	R-0416-1	S-4451-1
Description	For ARIVAIR and EURODAIRA with chuck	For ARIVAIR and EURODAIRA without chuck
Length (cm)	50	50
Précaunisation	Use an car clamp $\varnothing$ 10 mm to mount it on the gauge	

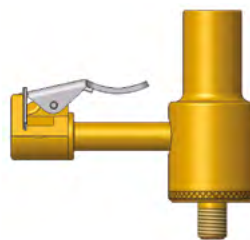
### ▶ MOBILE NIPPLES FOR CHUCKS

Hand-tightened only.



	R-0038-1	R-0904-1
Description	For chuck R-0415-1	For chuck R-0933-1
Spare washer	-	R-0917-2
Use		

### ▶ TUBE DEFLATOR



	R-0634-1
Description	Suctions out the air from inner tubes
Use	

## AIR CANNONS, PUMP RINGS

### ▶ AIR CANNONS

Filtered and lubricated air supply (see page 80).

#### ▶ BOOST'AIR 20



#### ▶ BOOST'AIR 35



	65063-00	61417-67	61418-67
Utilisation	For Truck	For Truck	Big Tyres, Small Earth mover
Tank (L)	20	20	35
Pressure max (bar)	12	14	12
Weight (Kg)	14	5	5
Inner air	1 quick connector male light vehicle		
Material	stell	alu	alu
sizes	480 x 370	480 x 246	660 x 276
Type of rim	1 pcs	1 pcs	1 pcs

65530-67	65332-67	69668-67	69669-67	65842-67	65843-67	65844-67
Certified 1/4 safety valve	Glycerine pressure gauge	MF 1/2 x 1/4 GF reducing nipple coupling	Elbow	M/F 1/4 rotating-seat valve	M/F 1/2 rotating-seat valve	Painted booster fitting

### ▶ BEAD BAZOOKA®



	61300-67
Use	For 4x4 and trucks
Tank (L)	6L
Weight (Kg)	5.56



## ▶ BOOSTER HIGH-FLOW VALVE

FOR INSTALLATION OF TUBELESS TIRE BEADS

# SAVE TIME WITH UP TO 3X FASTER INFLATION



Video

Booster



High-flow valve that does not adjust tire pressure:  
It is not an inflator with pressure gauge  
Use a standardised tool.

44073-67 BOOSTER	
Use	
Graduation	1 to 11 bar / 10 to 160 psi
Long nose (m)	6 m on the valve side / 0.3 m on the air inlet side
Type of rim	1 piece, 3 pieces and 5 pieces





## PUMP RINGS

### ▶ RIGID PUMP RINGS



	(1)	(2)	(3)	(4)	(5)	-
	<b>60809-67</b>	<b>60810-67</b>	<b>60816-67</b>	<b>60811-67</b>	<b>60817-67</b>	<b>60818-67</b>
Dimensions ["]	17.5	19.5	20	22.5	24	26
Spare washer	65214-67	65215-67	-	60812-67	-	-
Pieces per box	1	1	1	1	1	1



### ▶ FLEXIBLE PUMP RINGS



	<b>65789-67</b>	<b>65790-67</b>	<b>65791-67</b>
Dimensions ["]	16.5 to 17.5	19.5	22.5 to 24.5
Pieces per box	1	1	1

## AUTOMATIC WINDERS AND HOSES



- Open reel winder for truck
- Sold with swivelling holder
- Hose locked by a ratchet catch
- Outlet G 1/2
- Service pressure: 18 bars
- Service temperature: 60°C
- Installation: holder for hanging on wall at height of 2 m

	66964-67	66965-67
	Open winder with synthetic textile braided hose, 1/2G Service pressure 18 bars, fixed holder, sold without connectors	
Max. dimensions (depth x h x th.) (mm)	495 x 442	
Length: Hose (m)	20	
Ø Hose (mm)	13x18	
Weight (kg)	20	
Spare hose	66964-67	



- Automatic winder with spiral leaf spring 180° and 180° directionable base.
- Epoxy-coated steel sheet cabinet
- Hose guide and end stop.
- Connecting kit provided.
- Installation: wall fixture, height 2.50 m.
- Sold without outlet connector

	S-0335-1	S-0336-1	S-0337-1
Max. dimensions (depth x h x th.) (mm)	410 x 360 x 230	435 x 460 x 240	540 x 500 x 270
Length: Hose (m)	10	20	30
Ø Hose (mm)	Textile braid int. Ø 7 x 13 mm sold with turning fitting R-0987-2		
Weight (kg)	12	18	25

## AUTOMATIC WINDERS AND HOSES

### Winders for impact wrench



sold without connectors

- Textile braided hose
- Max. operating pressure: 15 bars
- Service temperature: 60°C
- Installation: wall fixture, height 2 m.

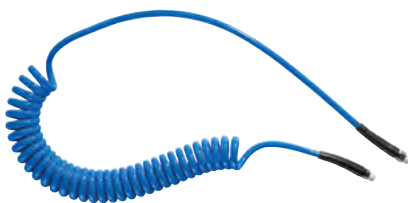
	S-0339-1	S-0341-1
Max. dimensions (depth x h x th.) (mm)	435 x 460 x 240	540 x 500 x 270
Length: Hose (m)	20	25
Ø Hose (mm)	13 x 21	9 x 16
Weight (kg)	30	26

### Hose coils



	Length: Hose (m)	Ø (mm)	Braid type
S-0346-1	15	9 x 16	Textile braid for impact wrenches
S-0347-1	25		
S-0348-1	12	13 x 21	
S-0349-1	20		
60233-67	25	19 x 27	

### Coiled hoses



	Length (m)	Description
65100-67	4	Polyurethane hose 6.5 x 10 mm. Equipped with fixed-rotating male couplers G 1/4. Working pressure: 9 bar.
65255-67	6	
65101-67	8	

### Progressive air gun



	Description
65098-67	Progressive blow gun with tapped curved nozzle G 1/4 on metal insert Max operating pressure: 10 bar Max. flow: 380 litre/min at 6 bar.
65099-67	Blowing assembly, coiled hose L = 4 m. Fitted with blow gun 65098-67

# COMPRESSED AIR CONNECTORS



	65090-67	66739-67	66813-67	61289-67	66618-67	65091-67
Description	Threaded quick coupler		Barbed quick-connect fitting			
Tapping (Gas BSP)	G 1/2	G 3/4				
For hose Ø int. (mm)			9	10	13	13
Ø air passage (mm)	11	11	8	6	8	11
flow (L./min.) at 6 Bar	4160	4160	1800	883	1800	4160
Maxi operating pressure (bar)	16	16	16	16	16	16
Pieces per box	1	1	1	1	1	1

- Automatic sleeve couplers featuring a clamp attachment system: effortless connection and total tightness.
  - Abrasion, shock, crushing and vibration resistant materials.
- Optimum flow adapted to all pneumatic tools thanks to contoured plug.
  - Operating temperature: -15 to +70° C.

## ► MISCELLANEOUS CONNECTORS

According to assemblies, use adaptor 65591-67 M1/4"-M1/4"



	65491-67	65578-67	65579-67
Description	Quick connect filter nipple for all air-hydraulic devices (except impact wrenches, see page 184) conical threaded G 1/4	360° bi-directional nipple. Keeps the hose straight and strain-free Improves handling and use of pneumatic tools and inflating gauges. F inlet: G 1/4 M outlet: G 1/4 Flow: 0 to 45 m3/h under 7 bar	Pre-set line regulator Mounted upstream of the pneumatic tool, the regulator adjusts the pressure to avoid an air over-consumption and an overpressure on tools. (except impact wrenches, see page 184) F Inlet/Outlet F: G1/4 Maximum inlet pressure: 18 bar, outlet pressure: 8 bar Max. flow: 700 l/min
Quantity per box	1	1	1



# COMPRESSED AIR CONNECTORS



	66619-67	65093-67	65845-67	61291-67 61291-68	66620-67
Description	Conical threaded quick connector			Quick tapped connector	
Tapping (Gas BSP)	G 1/2 teflon-coated	G 1/2 teflon-coated	G 3/8 teflon-coated		
For hose Ø int. (mm)				10	13
Ø air passage (mm)	8	11	11	6	8
Flow (L./min.) at 6 Bar	1800	4160	4160	?	1800
Maxi operating pressure (bar)	16	16	16	16	16
Pieces per box	1	1	1	1 10	1



	66814-67	65092-67	65780-67	65094-67 65094-68
Description	Quick junction connector		Double junction connector	Junction connector
Tapping (Gas BSP)	13	13		
For hose Ø int. (mm)			12 -13	13
Filetage Conical (Gaz BSP)				G 1/2
Ø air passage (mm)	9	11	11	11
Flow (L./min.) at 6 Bar	1800	4160	4160	4160
Maxi operating pressure (bar)	16	16	15	15
Pieces per box	1	1	1	1 10



## COMPRESSED-AIR EQUIPMENT

### ► AIR TREATMENT UNIT "GLOBAL FRL SYSTEM"



COMPLETE SET:  
Filter + Regulator + Lubricator in 1/2":  
order refs. 66141-67 + 66142-67 + 65414-67  
+ 66143-67 + 66144-67 x 2.

- Complete compact FRL system 1/2".
- Alloy body.
- Maxi pressure 17 bar.
- BSPP connection.
- Metal tanks.
- Operating temperature: -10 to +65.5 °C.
- Use special oil P/N 65775-67.



Coalescing Filter 1/2"  
with inter-module plate (complementary item):  
order P/N 66146-67  
+ 66147-67.

COMPLETE UNIT:  
Filter + Regulator + Lubricator 1/2" (photo 1):  
order P/N 66141-67 + 66142-67 + 65414-67  
+ 66143-67 + 66144-67 x 2.



## COMPRESSED-AIR EQUIPMENT



	66141-67	66146-67	66142-67	66145-67	66143-67
Type	5 µm particle filters	Coalescence filter absorbing 0.01 µm	Regulator	Filter/Regulator 5 µm filter element	Lubricator
Hole opening (")	1/2	1/2	1/2	1/2	1/2
Description	Tank with sight gauge, manual bleed	Tank with sight gauge, manual bleed	8 bar pressure release valve with decompression Plastic nut for panel mounting	Tank without visual gauge, manual draining Pressure-relief valve 8 bars with decompression Sold with plastic nut for mounting on panel	Tank with oil mist sight gauge, standard viewing dome
Max. flow (dm <sup>3</sup> /s)	38	11	67	64	47
Dimensions h x width x depth (mm)	188 x 60 x 60	209 x 60 x 60	136 x 60 x 60	245 x 60 x 60	182 x 60 x 60
Weight (g)	280	320	410	530	310
Additional information	-	Place a particle filter upstream	-	-	-



	66148-67	65414-67	66144-67	66147-67	66149-67	66554-67
Description	Manifold block 4 tapped ports: inlet/outlet 3/4" - top 1/4" - bottom 1/2" Max. flow: 64 dm <sup>3</sup> /s Dimensions: h 48 x width 66 x depth 73mm Weight: 340 g	Double graduation gauge 0-20 bar. /0-285 PSI Weight 53 g	Wall connection/ fixture bracket kit 1/2" with 2 O rings for hole ø 22.1 mm	1/2" connection kit with 2 O rings for hole ø 22.1 mm	Connection kit for 1/2" to 3/4" Must be ordered with 2 x 66147-67	Connection kit for 1/2" to 1/4" Must be ordered with 2 x 66147-67

# INFLATION TERMINALS



Use AIR

## ► PRE-PROGRAMMABLE ELECTRONIC WALL TIRE INFLATORS


For inflating, deflating and adjusting pressure after programming the desired pressure



(1)



(2)

 Terminals provided with non-return valve and wall mounting.  
Terminals provided without hose and connectors: ordered separately

	Graduation	Description
(1) <b>66541-67</b>	0.3 to 10 bar	LNE approved for France
(2) <b>65786-67</b>	0.3 to 12.5 bar	Sold with bar as default but can be reprogrammed for PSI or KPA. Sold for export only and according to local regulations in Europe





**CE** Declaration of conformity provided with product.

## ► TECHNICAL INFORMATION

- Reading precision: 0.02 bar.
- Inside or outside installation (IP66).
- Operating temperature: 0 to 60°C.
- Aluminium cabinet
- Ergonomic design, easy to use.
- Large backlit LCD display.
- Information on Psi or KPa equivalent (65786-67).
- 240 V required electrical supply
- Automatic zero setting before each use.
- Dimensions: 269 x 285 x 106 mm.
- Max air intake pressure: 15 bar.
- Conical thread F-G 1/4 air inlet connection.
- Conical thread F-1/1" outlet.
- Attachment hook for hose.
- Weight: 5.4 kg.



## ► INFLATION TERMINAL ACCESSORIES

<b>40058-67</b>	Hose ø7x13 mm, L = 10 m for trucks, woven braid with 1 clamp connector R-0985 valve side, quick coupler + G 1/4 inflator side
<b>40059-67</b>	Woven braid hose L= 20 m, for truck use, with one clamp connection R-0985 valve side, quick coupler + G 1/4 inflator side
<b>44096-67</b>	Hose ø7x13 mm, L = 20 m for use in construction applications, textile braid with 1 studded fitting R-0984 on valve side, quick-connect coupling + G ¼ 65088 on terminal side

# ASSEMBLY EXAMPLES

## Compressed air circuit



66964-67



65096-68



65091-67



65093-67  
or limiter  
66665-67



S-0339-1



65096-68



65091-67



65093-67  
or limiter  
66665-67



S-0337-1



67244-68



65084-67



65088-67



**Compressed air circuit**



S-0337-1



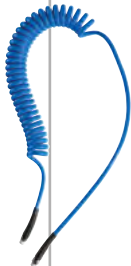
67244-68



65084-67



65086-67



65255-67



65082-67



65088-67  
or supply kit  
65796-67



S-0337-1



67244-68



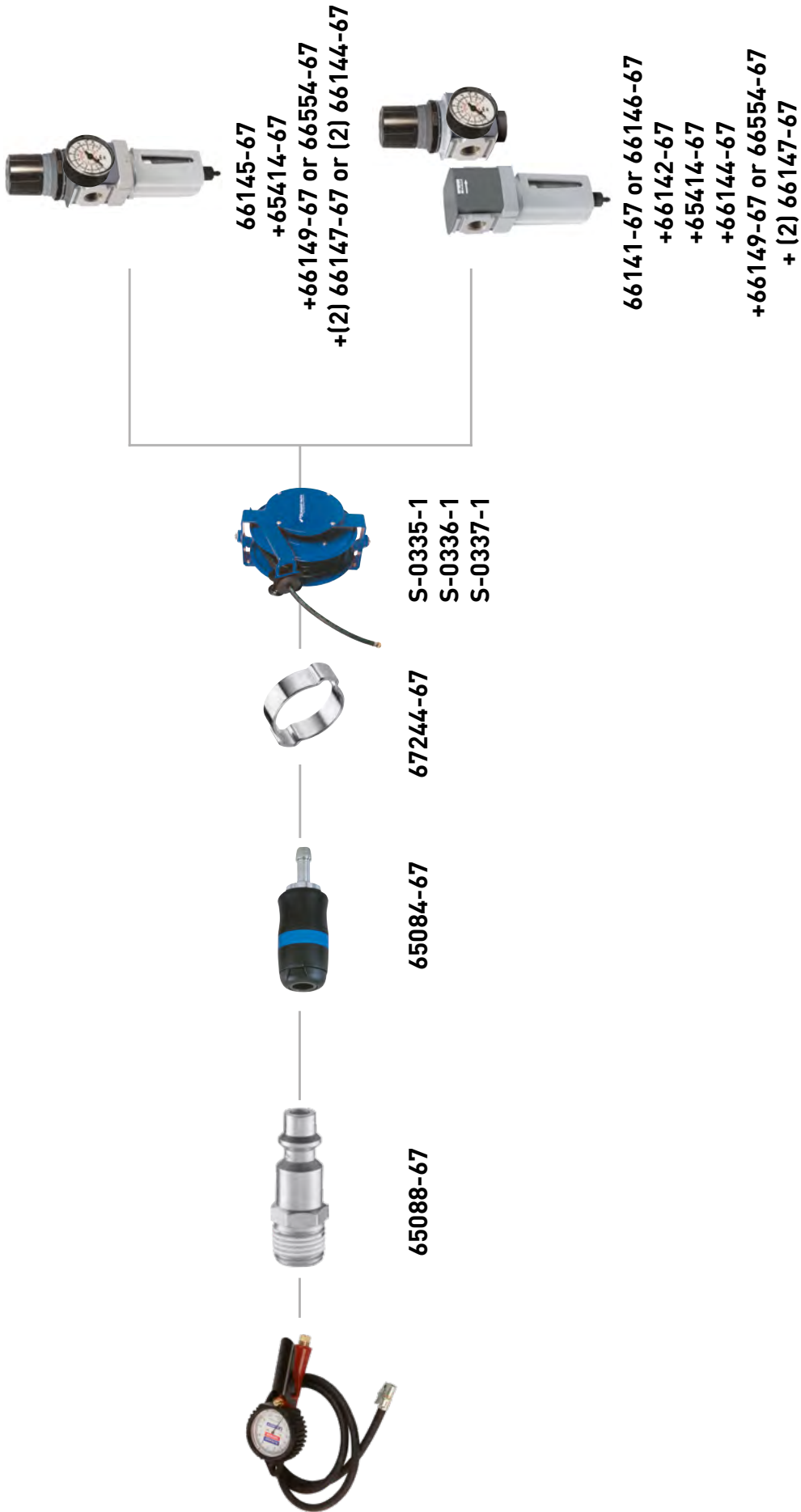
65084-67



65088-67  
or recommended  
tip with fitting  
65491-67



# EXAMPLES OF FRL ASSEMBLIES





66141-67  
+66142-67  
+65414-67  
+66143-67 or 66146-67  
+(2) 66144-67  
+66149-67 or 66554-67  
+(2) 66147-67



66145-67  
+65414-67  
+66143-67 or 66146-67  
+66144-67  
+66149-67 or 66554-67  
+(2) 66147-67



S-0335-1  
S-0336-1  
S-0337-1



67244-67



65084-67



65088-67



66669-67  
65805-67  
65807-67  
61270-67



## Chapter 6

### THE LABELLING SYMBOLS FOR HIGH-RISK PRODUCTS

are given for information purposes only. The products are liable to change and their safety sheets are at your disposal..

We recommend wearing gloves and protective goggles when executing repairs.

Aware of the changes in the law and to the "C.M.R." decree, Schrader Pacific Tire Hardware Solutions is offering chlorinated and aromatic hydrocarbon free products that comply with the "REACH" regulation.

Our patches comply with repair standards ECE-R108 and R109.

### STORAGE OF PARTS.

To maintain the expiry dates, store the parts, products and solutions:

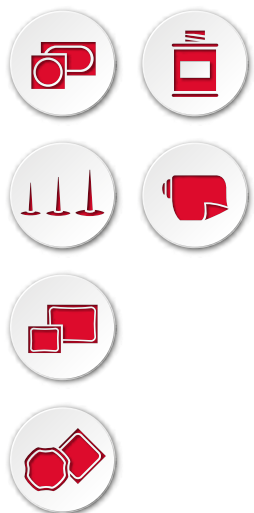
- In a clean dry place.
- Away from sunlight and heat.
- Recommended temperature: between 15 and 30° C (save specific product info) Keep the containers closed
- Complete repair instructions can be found in the box or on request
- Follow the corresponding fitting and application instructions to make repairs according to professional practice codes, i.e. adhering to reparability criteria and performing each operation according to a well defined procedure, whatever the repair.



#### **FORMATION:**

Schrader Pacific Tire Hardware Solutions provides trainings on repair products.

## PATCHES AND REPAIR PRODUCTS FOR TIRES AND TUBES

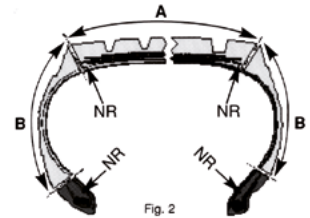
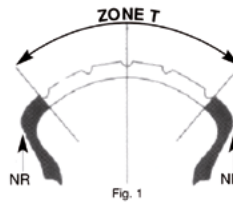


- PRP: Tube repair parts ..... 90-91
- PRC: Tire repair parts ("mushrooms" type) ..... 92
- PRF: Parts for cold Tire repair ..... 94
- TRP: Plugs for cold Tire repair ..... 95
- SCHRAD+: patches for radial Tire repair ..... 96
- SRR: Retread patches for radial Tire repair ..... 97
- SDO+: patches for the repair of bias tires ..... 98
- Emergency repair inserts ..... 99
- Solutions for patches and brushes ..... 100-105
- Material for rubbers ..... 106-107
- Tire puncture prevention ..... 108 - 109

# PRC TUBE REPAIR PARTS

## ► PRP 6 - PRP 8 - PRP 10

- (1) Up to speed index J included for a maximum of 2 repairs
- (2) Up to speed index T included
- Comply with local legislation in all circumstances. Laws may vary from one country to the next.



A: Tire tread      B: Tire sidewall  
NR: Non-repairable zone

	Use	BIAS TIRE ARCHITECTURE				RADIAL TIRE ARCHITECTURE					
		A		B		A			B		
		PRP 6	PRP 10	PRP 6	PRP 10	PRP 6	PRP 8	PRP 10	PRP 6	PRP 8	PRP 10
(1)	Truck					X	X	X			
(1)	Agriculture	X	X	X	X	X	X	X	X	X	X
(2)	Public works - OTR					X	X	X	Use of tire repair parts (PRP) not recommended		
(2)	Handling & cranes					X					
	Double X Type F					X	X	X			
	XM27/37 A2 B & A8					X	X	X			

- RAPID AND RELIABLE REPAIR:**
- Specially designed for punctures made by nails, screws, bolts even in the tire sidewall.
    - The tire must be dismounted to assess its condition and suitability for repair.
  - Repair from the inside of the tire. This is the only way of ensuring a quality reliable and safe repair. Structure of tire protected against moisture optimising the possibilities of retreading.
    - PRP range adapted for all types of tire according to the table below. Efficient permanent and immediately ready for further service.
  - Quick and easy repair. Efficient, permanent and immediately ready for further service (Number of repairs allowed per tire is not limited except for motorcycles).

## ► Brushes for vulcanizing solutions

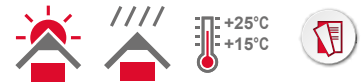


60038-67	65076-67	67223-67	65864-67
Flat brush width 40 mm, L = 210 mm	Flat brush width 65 mm, L = 225 mm	Empty can with top-brush for dissolution	Round brush Ø 32 mm, L = 330 mm



## PRP TIRE REPAIR PARTS

### ► BOX OF PARTS



• Parts also recommended for RUN-FLAT tires.



	S-4956-8 (1) 42392-67 (2)	42868-67	S-4955-8
	PRP 6	PRP 8	PRP 10
∅ parts (mm)	6	8	10
Quantity per box	24 (1) 48 (2)	12	10
	3 years after date of manufacture		

### ► REPAIR KITS



Tube of vulcanizing solution for kits on page 100  
Tool for roller R-5028-1  
Spherical rasp S-4394-1



S-4252-8 Mini kit
24 PRP ∅ 6 mm Solution: 5 tubes of 20 ml 1 Angular milling cutter ∅ 6 mm

# INNER TUBE REPAIR PATCHES (IRP)




## ▶ BOX OF PARTS



- Once the repair is finished, sprinkle the part with talc to prevent the IRP from adhering to the inner tube (see talc on page 105).

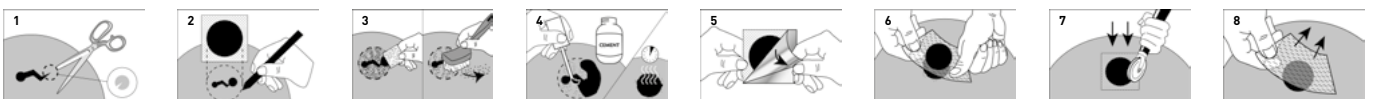
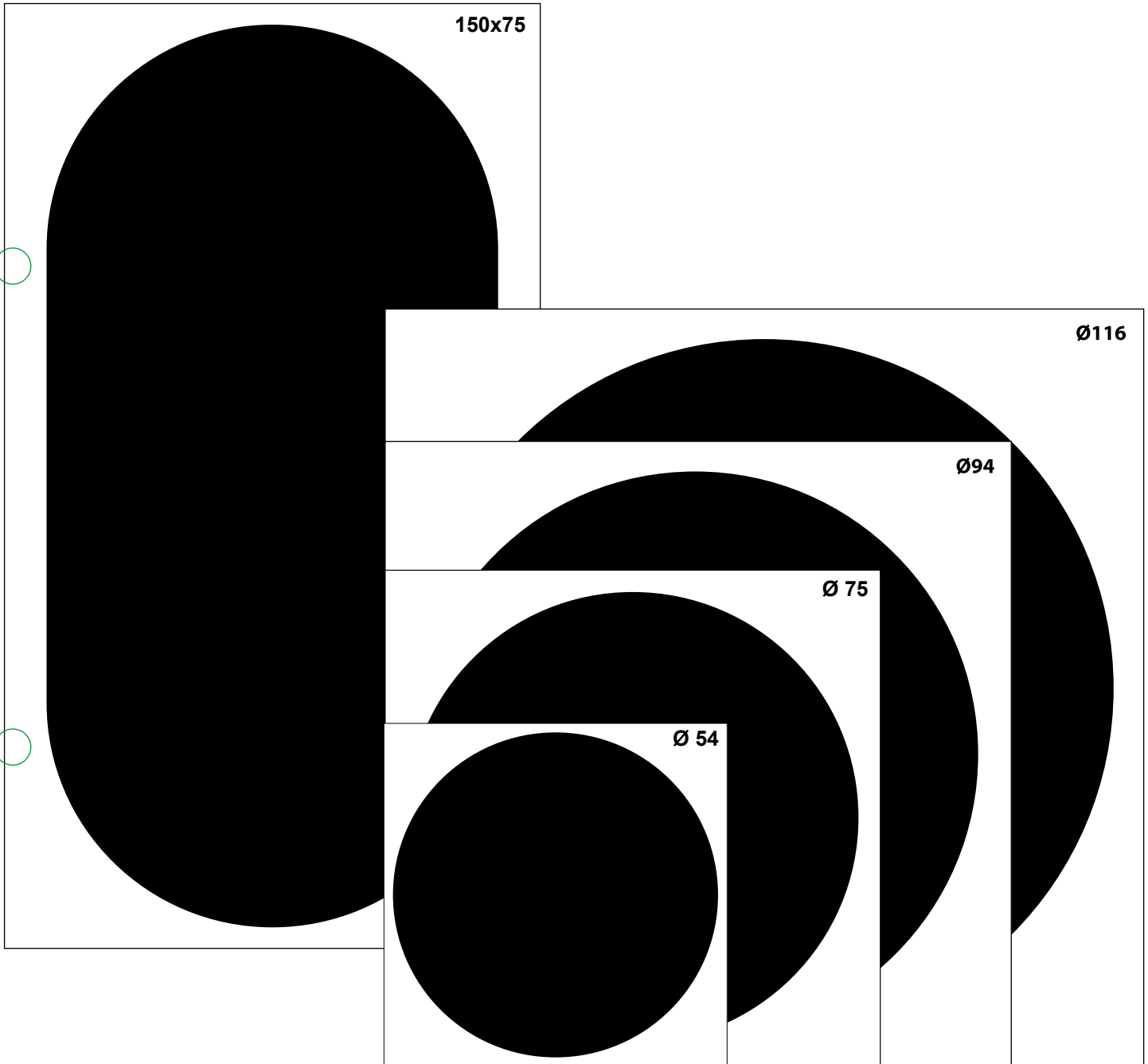


Expiry date: 5 years after date of manufacture.

	Dimensions of parts (mm)	Quantity per box			
Round parts					
<b>60504-67</b>	Ø 54	30	X	X	
<b>60505-67</b>	Ø 75	30	X	X	
<b>60506-67</b>	Ø 94	10	X	X	
<b>60507-67</b>	Ø 116	10	X	X	
Oval parts					
<b>60511-67</b>	150 x 75	10	X	X	

## INNER TUBE REPAIR PATCHES (IRP)

Select the repair part according to the size of the damage on the inner tube.



# PRF COLD REPAIR FOR RADIAL AND BIAS TIRES

## ► BOX OF PARTS




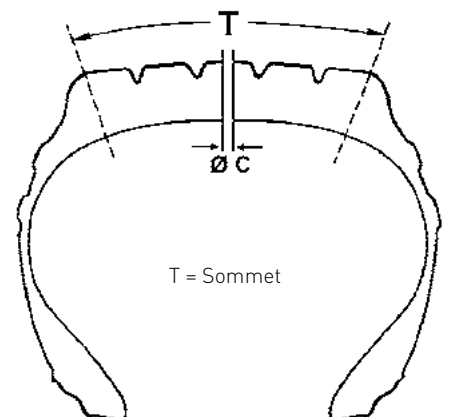
• Use **OPALE** chemical vulcanizing solution.

	Dimensions of parts (mm)	Quantity per box
<b>60702-67</b>	60 x 60	50
<b>60706-67</b>	60 x 60	500
<b>60703-67</b>	67 x 67	50

 **Expiry date PRF: 5 years after date of manufacture.**

• Tread repairs only.  
• Speed code restrictions: comply with local laws that can be different in each country

TIRE use	Tire speed symbol	T = Ø C (mm) max Tread injury prepared	PRF 60x60mm	PRF 69x69mm	Max number of repair
	<H	6			3
		8	X	X	3
		10			3
	V-Z	15			3
		6	X		1
		8		X	1



## TRP TIRE REPAIR PLUGS FOR RADIAL AND BIAS TIRES

### ▶ BOX OF PARTS

- Remove the blue protection strip from the part before placing it.
  - Use the OPALE cold solution.
- Use air buffer maxi speed 1200 rev/min page 141



	For hole (Ø mm)	Plug (Ø mm)	Quantity
<b>66350-67</b>	6	7	20
<b>66351-67</b>	8	10	20
<b>66352-67</b>	10	11	20
<b>66353-67</b>	13	17	20



*Expiry date TRP: 3 years after date of manufacture.*

*For complete and perfect sealing, select TRPs*

- Radial and bias tire tread repairs.
  - Shoulder and sidewall repairs possible in some cases.
- Comply with local laws, which can be different in each country.
  - If the angle of the injury is over 25°, make a two-part repair.
    - TRP are covered with self-vulcanizing gum.
  - Reinforce the repair using a PRF or a patch (two-part repair).
- The TRP's diameter is larger than the hole's, allowing compression, which guarantees a durable repair.
  - Refer to the repair tables for the PRF or patches used

TIRE use	T = Ø C (mm) max prepared crown injury	TRP	PRF or patch	Max no. of repairs
	6	<b>66350-67</b>	<b>60703-67</b>	No limit
	8	<b>66351-67</b>		No limit
	10	<b>66352-67</b>		No limit
	13	<b>66353-67</b>	See patch table	No limit

## SCHRAD+. PATCHES FOR RADIAL TIRES



- For cold or hot vulcanization.
- For tread, shoulder and sidewall injuries: centre of injury = centre of patch.
- <=>The direction of the arrow printed on the patch indicates the radial bead to bead direction



*Expiry date of patches Schrad+: 5 years after date on the packaging.*

	Description	Dimensions of parts (mm) width x length	Number of plies	Quantity per box			
<b>60603-67</b>	115	75x90	1	20	X	X	
<b>60632-67</b>	116	67x104	1	10	X	X	
<b>60604-67</b>	120	80x125	2	10	X	X	
<b>60605-67</b>	122	75x175	2	10	X	X	
<b>60606-67</b>	124	75x220	2	10	X		
<b>60607-67</b>	125	115x125	3	10	X		
<b>60611-67</b>	140	100x195	3	10	X	X	
<b>60612-67</b>	142	130x260	3	10	X		
<b>60633-67</b>	135	148x203	4	10	X		
<b>60613-67</b>	144	130x335	4	10	X		X
<b>60615-67</b>	180	150x190	2	5		X	
<b>60616-67</b>	182	185x240	3	5		X	
<b>60617-67</b>	184	215x295	3	5		X	
<b>60618-67</b>	186	245x340	2	5		X	
<b>60619-67</b>	146	180x440	4	5	X		X
<b>60620-67</b>	150	180x580	5	5			X
<b>60621-67</b>	152	240x580	5	3			X
<b>60622-67</b>	155	260x330	5	3			X
<b>60623-67</b>	156	270x720	7	3			X
<b>60624-67</b>	160	270x860	7	3		X	X
<b>60625-67</b>	162	325x1030	7	1			X
<b>60626-67</b>	165	330x420	6	3			X
<b>60627-67</b>	168	350x760	7	1			X
<b>60628-67</b>	175	450x530	8	3			X



- Parts also recommended for RUNFLAT tyres (according to recommendations in table).
  - Cold : Use the OPALE vulcanizing solution.
  - Hot: use the BLACK HOT solution.
- SR patch expiry date: 5 years after the date of manufacture.
  - Detailed instructions provided inside each box.
  - See REP marking page 134.

## S.R.R. PATCHES FOR RADIAL TIRES

- Damage on sidewall, shoulder and tread: centre of damage = centre of patch
- <=>The direction of the arrow printed on the patch indicates the radial direction from bead to bead.



*Expiry date of patches SRR: 2 years after date on the packaging.*

	Description	Dimensions of parts (mm) width x length	Quantity per box		
<b>66330-67</b>	SRR1	65	50	x	
<b>66331-67</b>	SRR10	65x80	10	x	
<b>66332-67</b>	SRR12	70x115	10	x	x
<b>66334-67</b>	SRR20	75x125	10	x	x
<b>66335-67</b>	SRR22	75x165	10	x	x
<b>66338-67</b>	SRR33	100x125	10	x	
<b>66339-67</b>	SRR35	125x150	10	x	
<b>66340-67</b>	SRR37	125x170	5	x	
<b>66341-67</b>	SRR40	100x200	10	x	x
<b>66342-67</b>	SRR40A	100x200	10	x	
<b>66343-67</b>	SRR42	125x250	5	x	
<b>66344-67</b>	SRR42A	125x250	5	x	
<b>66345-67</b>	SRR44	125x330	5	x	
<b>66346-67</b>	SRR44A	125x330	5	x	
<b>66365-67</b>	SRR80	150x195	5		x
<b>66362-67</b>	SRR82	190x250	5		x
<b>66363-67</b>	SRR84	215x290	5		x
<b>66364-67</b>	SRR86	245x340	5		x

**A:** Aramide

The suffix A in the description indicates that the product is aramide-reinforced for better solidity, flexibility and performance.

- Cold: use the chemical vulcanizing solution **60712-67**
- Hot: use the vulcanizing solution **60720-67**
- Detailed instructions for use in each box
  - See REP marking page 134

# SDO+ PATCHES FOR RADIAL TIRES



- Sidewall, shoulder and tread punctures: centre of the puncture = centre of the patch
- <=>The direction of the arrow printed on the patch indicates the radial direction from bead to bead.



*Expiry date of patches SDO+: 5 years after date on the packaging.*

Description	Dimensions of parts (mm) width x length	Number of plies	Quantity per box			
-------------	---	-----------------	------------------	---	---	---

Truck, agricultural vehicles

<b>60651-67</b>	SDO+03	100x100	2	10	X	X	X
<b>60652-67</b>	SDO+04	120x120	2	10	X	X	X
<b>60653-67</b>	SDO+05	160x160	4	10	X	X	X
<b>60655-67</b>	SDO+06	240x240	6	10	X	X	X
<b>60657-67</b>	SDO+07	295x295	6	10	X	X	X
<b>60659-67</b>	SDO+08	345x345	6	5	X	X	X
<b>60665-67</b>	SDO+020	255x255	4	10	X	X	X
<b>60666-67</b>	SDO+021	370x370	4	5	X	X	X

OTR tires

<b>60667-67</b>	SDO+022	510x510	4	3			X
<b>60668-67</b>	SDO+023	255x255	6	10			X
<b>60669-67</b>	SDO+024	370x370	6	5			X
<b>60670-67</b>	SDO+025	510x510	6	3			X
<b>60680-67</b>	SDO+050	240x240	4	12			X
<b>60681-67</b>	SDO+050+	240x240	6	10			X
<b>60682-67</b>	SDO+052	360x360	6	12			X
<b>60683-67</b>	SDO+052+	360x360	8	10			X
<b>60684-67</b>	SDO+054	500x500	8	5			X
<b>60685-67</b>	SDO+054+	500x500	10	5			X
<b>60686-67</b>	SDO+056	660x660	10	5			X
<b>60687-67</b>	SDO+056+	660x660	12	5			X

- Cold: use the **OPALE** vulcanizing solution.
  - Hot: use the **BLACK HOT II** solution.
- Detailed instructions provided inside each box.
  - See REP marking page 134



## EMERGENCY REPAIR FROM THE OUTSIDE



### ▶ Inserts for radial tires

 *Long-lasting products*



	15-281	15-206
Quantity per box	30	50
Type of vehicle and tires	Trucks with radial tires	Trucks with bias tires
length (mm)	180	180

- Repairs of punctures from the outside are only EMERGENCY REPAIRS.
- After use, the driving speed must not exceed 80 km/h for a maximum of 80 km.
- As soon as possible, have the tire dismantled by a professional for determination of the structural condition and definitive repair.
  - Do not use tires with a speed index of H,V or Z.
  - For small punctures up to a maximum of 6 mm.

### ▶ Insert tools



15-224	15-225	15-227	15-231	15-230	15-232
Open Eye T-handle needle insert tool	Tire probe	Split-eye needle insert tool	Truck metal split-eye needle insert tool	Replacement needle for 15-231	Spiral grip cement needle tool

# COLD TIRE DAMAGE REPAIR



References			PRC	PRP	PRF
(1)	Topaze	Solutions	■		
(2)	Opale				■
(3)	Saphir			■	
(4)	Rubber cleaner	Rasp	■	■	■
(5)	Onyx	Finish/seal	■	■	■

## SOLUTIONS



(1)	60515-67	65941-67	60516-67
	Can of TOPAZE vulcanizing solution 250 mL	Set of 250 mL can of TOPAZE vulcanizing solution 60515-67 + brush cap 60719-67	720 mL can of TOPAZE vulcanizing solution
	4 years		
	 +25°C +15°C		



(2)	60710-67	65613-67	60712-67
	OPALE+ solution (18 to 150°C) (250 mL can), CFC-free	Set of OPALE+ solution 250 mL 60710-67 + brush 60719-67	OPALE+ solution (18 to 150°C) (720 mL can), CFC-free
	4 years		
	 +30°C +15°C		



(3)	S-4933-1 (*) S-4933-9 (**)	S-4948-1 (*) S-4948-0 (**)
	Tube of <b>SAPHIR</b> vulcanizing solution 20 mL	Tube of <b>SAPHIR</b> vulcanizing solution 100 mL
	Packaging: 1 (*) Packaging: 50 (**)	Packaging: 1 (*) Packaging: 25 (**)
	2 years	
	 +25°C +15°C	



Insert	Patch Schrad+	Patch SRR	Patch SD0+	With gum
■	■			■
■	■	■	■	■
	■	■	■	

### RUBBER CLEANERS



(4)	60518-67 (*) 60518-68 (**)	60519-67	60520-67
	Rubber cleaner 800 mL Packaging: 1	Rubber cleaner 5 L	Spray rubber cleaner 500 mL
	Packaging: 1 (*) Packaging: 10 (**)		
	5 years		2 years
	+25°C +15°C		

### FINISHING PRODUCTS



(5)	60730-67
	ONYX finishing product/ sealing of the repair perimeter 250 mL
	15 months
	+25°C +15°C

### BRUSH CAPS

60719-67	60718-67	60717-67
Brush cap for 250 mL can of OPALE, TOPAZE, ONYX	Brush cap for 720 mL can	Brush for 60718-67

## COLD REPAIR OF EXTERNAL DAMAGE WITH SELF-VULCANIZING RUBBER

References		PRF	Patch Schrad+
(1)	Gum A + B	■	■

References		PRF	Patch Schrad+
(2)	Self-vulcanizing bonding gum		■

## HOT DAMAGE REPAIR 100°C

References		PRF	Patch Schrad+
(3)	Black Hot		■
(4)	Hot bonding gum		■
(5)	Plate 60880	Cushion gum 2.5Kg	■
(6)		Cushion gum 1Kg	■
(7)	Extruder 67478	Cushion gum 6Kg	■
		Cushion gum 12KG	■

### ► GUMS AND VULCANIZING SOLUTIONS



(1)	60731-67	(2)	60732-67	(3)	61392-67	61393-67
	GUM A + B (2 boxes of 300 g)		Self-vulcanizing bonding gum		Hot vulcanizing solution BLACK HOT 2 (100 to 160°C), 600g without CFC	Hot vulcanizing solution BLACK HOT 2 (100 to 160°C) (3.5 kg jug), without CFC
	1 year		2 years		1 year	
	2x300 g		5Kg		800 ml	4.5 L
	-		thickness 0.8 x l. 500 x L. 10000		-	
	+25°C -15°C		+30°C +15°C		+25°C -15°C	

Patch SRR

Patch SDO+

Without patch



Patch SRR

Patch SDO+

Without patch



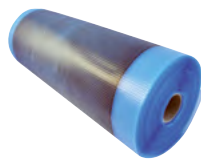
Patch SRR

Patch SDO+

With gum



**GUMS**



(4)	60733-67
	Hot bonding gum
	1 year
	5Kg
	thickness 1 x l. 500 x L. 8000
	+30°C +15°C

(5)	60734-67
	Hot cushion gum
	1 year
	2.5Kg
	thickness 1.2 x l. 250 x L. 7200
	+25°C +15°C

(6)	60736-67
	Hot cushion gum
	-
	1Kg
	-
	+25°C +15°C

(7)	60740-67 60741-67
	Rope rubber Ø8 mm
	-
	6Kg 12Kg
	-
	+25°C +15°C

## HOT DAMAGE REPAIR 70°C

References		Patch Schrad+	Patch SRR
(1)	Mixer 67283	Granite gum	■
(2)		Jade	■

## HOT DAMAGE REPAIR >100°C

References		Patch Schrad+	Patch SRR
(4)	Steel-reinforced gum	■	■
(5)	Steel-reinforced gum	■	■

### ► GUM AND VULCANIZING SOLUTION



### ► MIXER



(1)	66060-67
	GRANITE bonding and cushion gum to be mixed
	18 months
	2 x 2.5 Kg
	-
	+25°C +15°C 

(2)	66311-67
	Jade vulcanizing solution
	2 years
	945 ml
	-
	+30°C +15°C 

67283-67
MELMA mixer, space between rollers 180 mm
<p>Made up of a rigid steel frame and two rollers, one of which is mobile with variable distance. These two rollers have the same diameter, but turn at different speeds, thus creating friction on the gum in addition to rolling. It is equipped with a safety bar reversing the rotation direction with automatic lifting of the rear roller. It can be lifted to 100° for cleaning.</p>

### ► BRUSHES FOR VULCANIZING SOLUTIONS



66382-67	60038-67	65076-67	67223-67	65864-67
Brush cap for 945mL can of JADE	Flat brush, width 40 mm, L = 210 mm	Flat brush, width 65 mm, L = 225 mm	Empty can + brush for vulcanization solution	Round brush, Ø 32 mm, L = 330 mm

Patch SDO+	Without patch
■	■
■	■

Patch SDO+	Without patch
■	■
■	■

► **STEEL-REINFORCED GUM**



(4)	61148-67
	Steel-reinforced gum roll for hot vulcanization >100°C for use with Black Hot
	thickness 1 x L. 850 x l. 100

(5)	61149-67
	Steel-reinforced gum roll for hot vulcanization >100°C for use with Black Hot
	thickness 2.6 x L. 780 x l. 100

► **TALC AND VULCANIZING SOLUTIONS**



65834-67
Talc (shaker)
640g

61392-67	61393-67
Hot vulcanizing solution BLACK HOT 2 (100 to 160°C), without CFC, 600g	Hot vulcanizing solution BLACK HOT 2 (100 to 160°C) (3.5 kg jug), CFC-free
1 year	
800 ml	4.5L
-	

# MATERIAL FOR RUBBERS

## ▶ EXTRUDER GUNS

Delivered without compensator.



	<b>67478-67</b>	<b>65761-67</b>
Model	750 W	1600 W (special large EM)
Heating	Electric 220V	Electric 220V
Motor	Pneumatic 6 bar	Electric 220V
Thermostat	0 to 120°C thermostat control	0 to 120°C thermostat control
Rubber Flow (kg/h)	18	40
Weight (Kg)	5	13



<b>67504-67</b>	<b>67505-67</b>	<b>67503-67</b>	<b>67506-67</b>
Thermostat	Nozzle with nut	Resistor	Worm screw



<b>67479-67</b>
Adjustable compensator



## GUM WORKING TOOLS

### ► THERMOMETER



**67494-67**

Description

Thermometer allowing for simultaneous measurement of 2 temperatures, in °C or °F. Ideal for use of thermocouples.

- Backlit
- Impact protection case
- Measuring range: -50 to + 1,300°C
- 1 9V type 6LR61 o 6LRF22 battery (supplied)
- Dim: 173 x 60.5 x 38 mm

### ► HOT PLATE



**60880-67**

Hot plate for uncured rubber,  
230 V, 0.31 kW  
Dim: 205 x 515 mm  
Thermostat: 85°C



**67493-67**

Rigid probe, 30 cm



**67496-67**

10 m thermocouple coil

# TIRE PUNCTURE PREVENTION

## ▶ SLIME® RANGE



www

Find out more at:  
[www.slime.com](http://www.slime.com)

**Fibro-Seal™**

- The SLIME® puncture prevention product seals punctures::
  - up to a max Ø 3 mm on tires with inner tubes
  - up to a max Ø 6 mm on tubeless tires
- SLIME® fills the punctures on the tire TREAD zone. The pressure of the escaping air pushes the product into the perforation, immediately creating a seal.
- Non-toxic liquid, water soluble
- Effective for the entire lifespan of the tire.
- Used for prevention, SLIME® is effective up to 80 km/h.
- When used as an emergency repair after puncture of the tread zone, it is best not to exceed 130 km/h and to have the tire dismantled by a professional as soon as possible, for determination of the condition of the structure and definitive repair. Do not use for tire sidewall repairs.
- **Do not use the preventive product if there is a pressure sensor in the tire.**
- Operating temperature from -30 to +80°C.



### SDSB5GIN

Description	Preventive product for tubeless tires up to 80 km/h
Contents	18.9L
Weight	22 Kg
Dimensions	29.5 x 29.5 x 35.5 cm
Use	
Precautions	

### SBAP

Description	Pump for jug SDSB5GIN <b>Capacity Pump 235 ml</b> The pump can be pre-set according to the quantity of product to be inserted in the tire.
Weight	1.3 Kg
Dimensions	64 x 8 x 14 cm



www

Calculation simulator available at:  
[www.slime.com](http://www.slime.com)



## TIRE PUNCTURE PREVENTION

- The tire puncture prevention product fills in small perforations during use on small tires on micro-tractors, mowers, golf carts, trailers, etc.
- The product must be shaken before use.

**Expiry date: 2 years.**



	65468-67
Description	For small tires (can be used for puncture prevention up to 40 km/h)
Contents	30 L
Weight	31 Kg
Use	
Precautions	

	65472-67	65470-67
Description	Hand pump for jug 65468-67 One pump = 100 mL of product.	Pump valve adaptor
Weight	1.1Kg	



**www**

Table for use according to tires at  
[shop.schrader-pacific.fr](http://shop.schrader-pacific.fr)



When repairing, we recommend wearing helmet, glasses, protective gloves, safety boots and ear protection

- Follow the instructions for use

## REPAIR TOOLS AND VULCANIZATION EQUIPMENT

A LARGE RANGE.

Schrader Pacific Tire Hardware Solutions offers a range of equipment for professionals to meet their customers' requirements and to train and provide turnkey solutions for repair specialists, industry, public works and mining..., depending on the tire to be repaired, up to 63" and the type of repair, puncture or injury.

TECHNICAL TRAINING.

### Staff concerned:

Any person working in a position within a tire company or independent repair shop requiring in-depth knowledge of repair and associated methods.

### Level 1, tire repair, objective:

- Knowledge of cold and hot tire vulcanization repair methods.
- Learning of methods used to repair different types of tires; knowledge of which materials to use.
- Simulations in our training centres.

To register,  
contact our sales team.



### FORMATION:

Schrader Pacific Tire Hardware Solutions provides trainings on repair products.



## REPAIR TOOLS AND VULCANIZING EQUIPMENT









- Technical support and training..... 112 - 119
- Pneumatic air buffers, connectors and adaptors ..... 120 - 121
- Skiving tools and accessories..... 123 - 126
- Electric brushes and accessories ..... 127
- Brush tools..... 128
- Vacuum cleaners..... 129
- Tire spreader, cart..... 130
- Pneumatic hammers and vacuum cleaners..... 131
- Small hand tools..... 132 - 133
- Tire markers..... 134
- Vulcanizers components..... 135 - 139  
    VSM 150, VSM 200
- Vulcanizing machine..... 140
- Support-lifts and spreaders..... 141





## FIXTURES RECOMMENDED FOR WORKING WITH GUM

Brushing, skiving and cleaning	
	
<b>S-4792-1</b>	<b>S-4370-1</b> <b>S-4979-1</b>

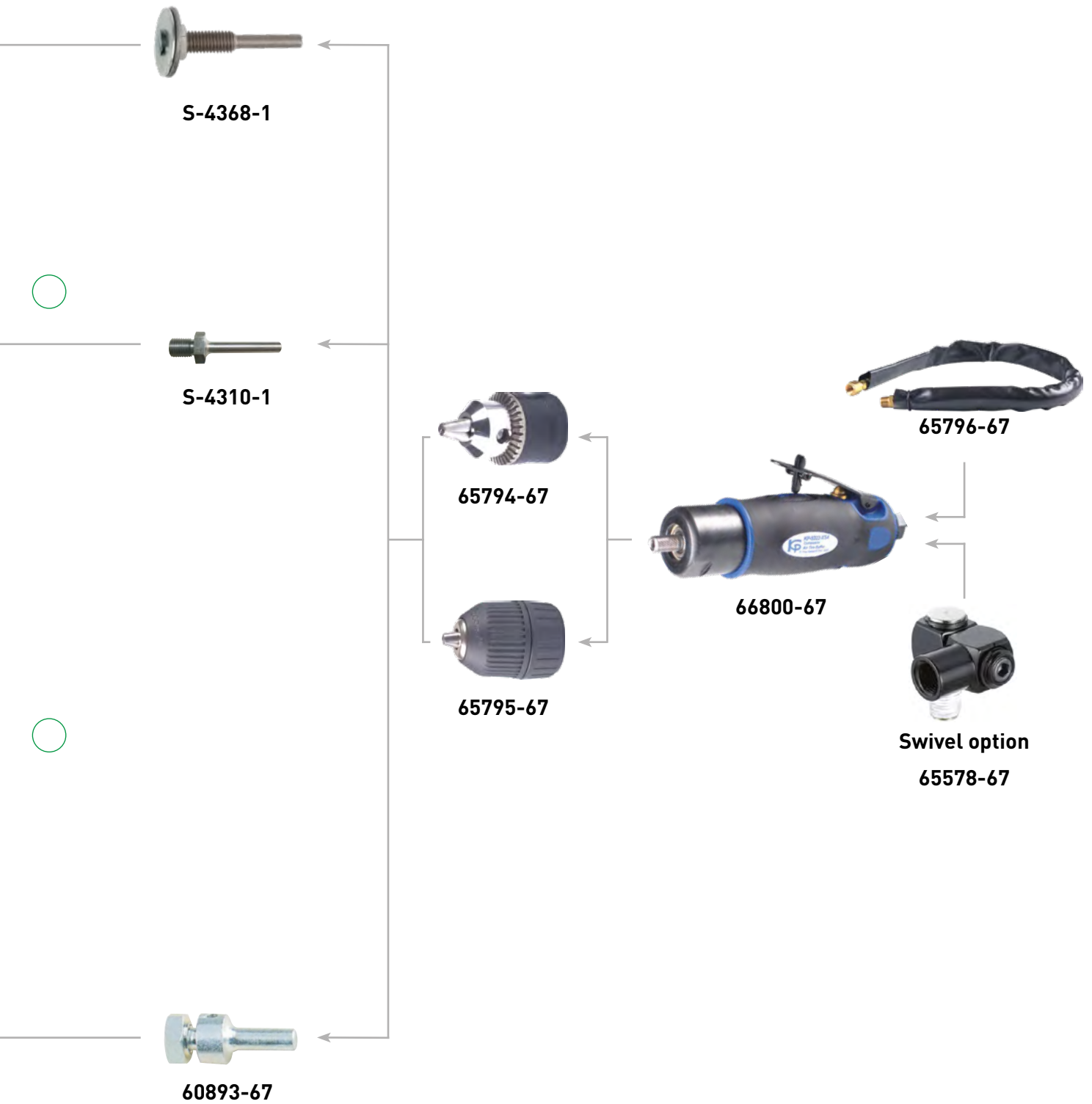
Crater rasping on tire tread		External crater rasping and internal rasping for butyl		Cutting of external rubber	
					
<b>67640-67 (*)</b> <b>67639-67 (*)</b>	<b>60373-67</b> <b>60374-67</b>	<b>67620-67</b> <b>S-4374-1</b> <b>67621-67</b>	<b>60349-67</b> <b>60350-67</b> <b>60355-67</b> <b>60356-67</b> <b>60358-67</b> <b>60359-67</b>	<b>60339-67</b> <b>60340-67</b> <b>60341-67</b>	<b>60882-67</b> <b>60883-67 (*)</b>

Rasping between studs with tall height	External crater rasping and internal rasping for butyl	
		
<b>66687-67 (*)</b>	<b>S-4312-1 (*)</b> <b>67622-67 (*)</b> <b>67623-67 (*)</b> <b>67624-67 (*)</b> <b>67625-67 (*)</b>	<b>60342-67 (*)</b> <b>60343-67 (*)</b> <b>60344-67 (*)</b> <b>60345-67 (*)</b> <b>60346-67 (*)</b> <b>60347-67 (*)</b>



External crater rasping and internal rasping for butyl	
	
<b>67620-67</b> <b>S-4374-1</b> <b>67621-67</b>	<b>60339-67</b> <b>60340-67</b> <b>60341-67</b>







*(\*) tool adaptable but not recommended for grinder*




## MECHANICAL AND AUTOMATIC CHUCKS FOR FITTINGS WITH 6 MM/8 MM STEM





## FIXTURES RECOMMENDED FOR WORKING WITH GUM

Brushing, skiving and cleaning	
	
<b>S-4792-1</b>	<b>S-4370-1</b> <b>S-4979-1</b>

Crater rasping on tire tread		External crater rasping and internal rasping for butyl		Cutting of external rubber	
					
<b>67640-67 (*)</b> <b>67639-67 (*)</b>	<b>60373-67</b> <b>60374-67</b>	<b>67620-67</b> <b>S-4374-1</b> <b>67621-67</b>	<b>60349-67</b> <b>60350-67</b> <b>60355-67</b> <b>60356-67</b> <b>60358-67</b> <b>60359-67</b>	<b>60339-67</b> <b>60340-67</b> <b>60341-67</b>	<b>60882-67</b> <b>60883-67 (*)</b>

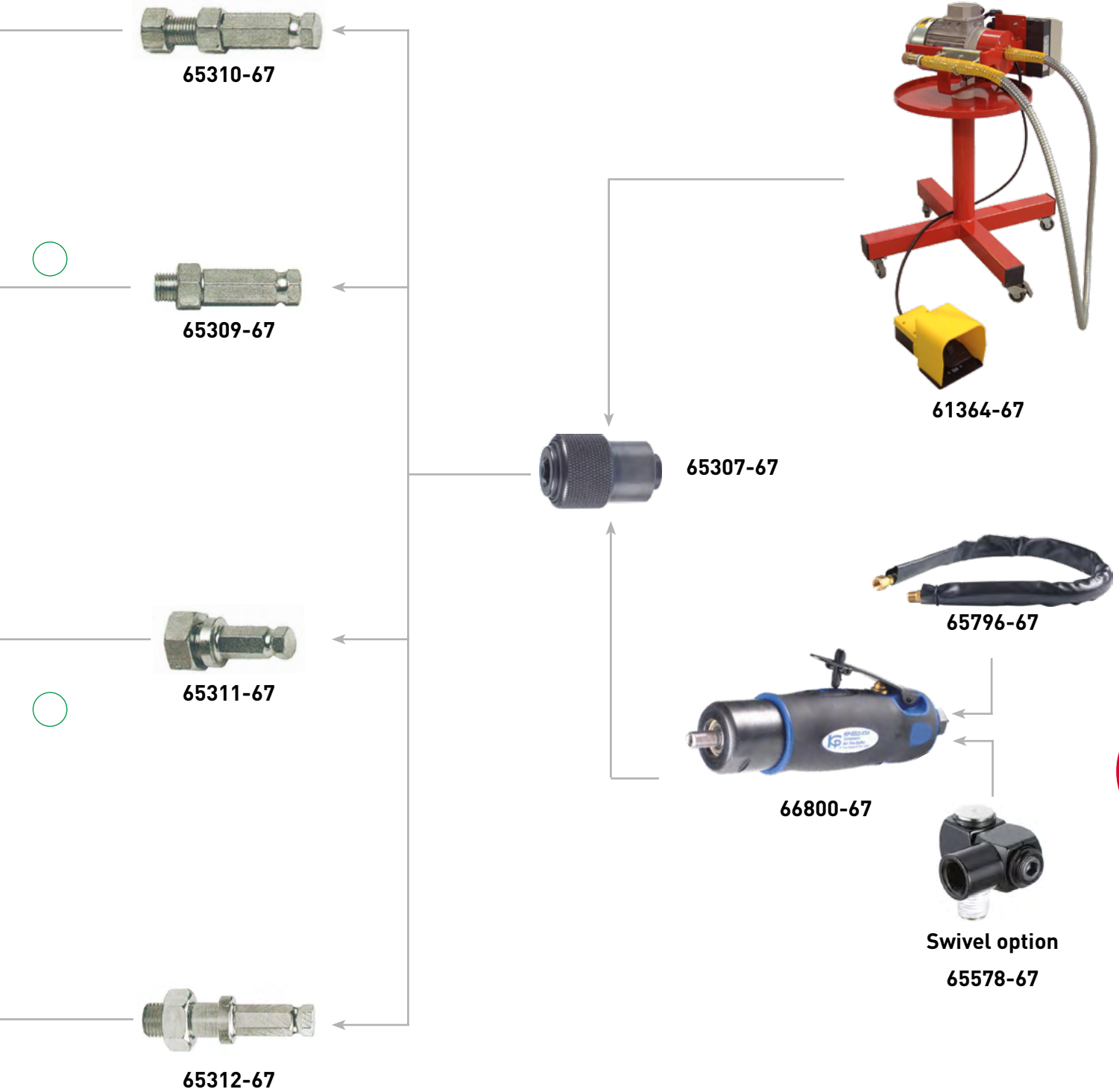
Rasping between studs with tall height	External crater rasping and internal rasping for butyl	
		
<b>66687-67 (*)</b>	<b>S-4312-1 (*)</b> <b>67622-67 (*)</b> <b>67623-67 (*)</b> <b>67624-67 (*)</b> <b>67625-67 (*)</b>	<b>60342-67 (*)</b> <b>60343-67 (*)</b> <b>60344-67 (*)</b> <b>60345-67 (*)</b> <b>60346-67 (*)</b> <b>60347-67 (*)</b>

Brushing, skiving and cleaning	
	
<b>S-4369-1 (*)</b>	<b>S-4306-1 (*)</b> <b>S-4340-1 (*)</b>

*(\*) tool adaptable but not recommended for grinder*





## QUICK CHANGE CHUCK FOR HEX SHANK 11 MM



## FIXTURES RECOMMENDED FOR WORKING WITH GUM

			
<b>61129-67</b>		<b>61130-67</b>	
			
<b>61143-67</b>	<b>61144-67</b>	<b>61145-67</b>	

### Finishing rollers

	
<b>S-4789-1</b> <b>65851-67</b>	<b>60887-67</b> <b>60888-67</b> <b>60889-67</b>

### External crater rasping and internal rasping for butyl


<b>67649-67</b>

### Brushing, skiving and cleaning

		
<b>66124-67</b> <b>66125-67</b>	<b>60884-67</b>	<b>60885-67</b>

### Crater rasping on tire tread and sidewall

			
<b>66689-67</b> <b>66688-67</b>	<b>60382-67</b> <b>60383-67</b>	<b>60376-67</b> <b>60377-67</b>	<b>60379-67</b> <b>60380-67</b>

## QUICK CHANGE CHUCK FOR HEX SHANK 11 MM



**61132-67**



**61146-67**



**65308-67**



**61364-67**



**65794-67**



**65795-67**



**66800-67**



**65796-67**



**Swivel option**

**65578-67**

# FIXTURES RECOMMENDED FOR WORKING ON STEEL

## Cable stop machining on sidewall for small damage



**61139-67**



**61137-67**

## Cable stop machining on sidewall for significant damage or damage to tire tread



**61140-67**



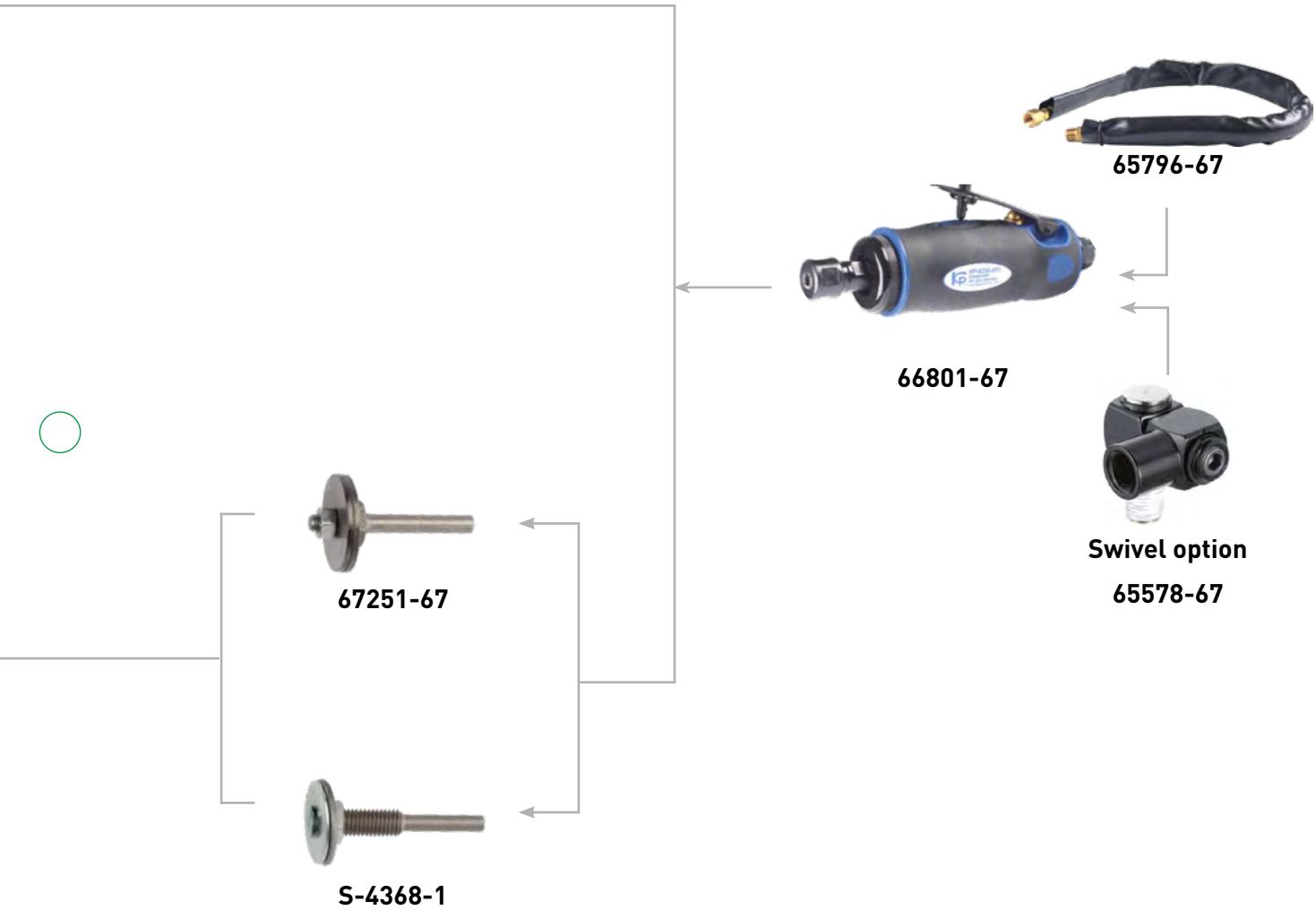
**61138-67**

## Crater rasping on tire tread and sidewall



**66962-67**

## COLLET CHUCK Ø6



## AIR GRINDERS

### ▶ WORKING ON STEEL CABLES

### ▶ WORKING ON RUBBER



	66801-67	66799-67	66800-67
T/min.	22 000	800	4000
Power	253 watt (0.39hp)	335.56 watt (0.45 hp)	291 watt (0.39 hp)
Output shaft threading	3/8" with 6 collet included	3/8"	3/8"
Air consumption (L/min)	133	119	142
Sound level db(A)	103	95	101
Dimensions (mm)	L.175 x ø 50	L. 200 x l. 150 x ø 45	L. 248 x ø 50
Weight (kg)	0.6	1.34	1.06
		Recommended for installation of TRP.	Chucks ordered separately

- Supply with filtered, lubricated air.
- Follow the recommendations in the instructions for use.

Connect a quick connector 65088-67 to the hose.



65796-67	65578-67	S 4788-1
Supply and exhaust kit for grinder 66800-67, L = 74 cm	Bi-directional connection 360°. Keeps the hose straight without any stresses. Improves handling and use of pneumatic tools or inflator gauges. Inlet: G 1/4 Female Outlet: G 1/4 male Flowrate: 0 to 45 m3/h at 7 bar	Spare 6 mm collet with wrenches for grinder 66801-67

## CHUCKS AND TOOL HOLDERS

### ▶ CHUCKS



65307-67	65131-67	65794-67	65795-67
For 66800-67 female quick-connect chuck 3/8" x 24 (hex.11 mm) UNF For air grinder 4,000 rpm max	Chuck wrench, 10 mm (spare part for 65794-67)	For 66800-67 Chuck with wrench, 10 mm	For 66800-67 Automatic chuck 10 mm

### ▶ TOOL HOLDER CHUCK 10 MM



	S 4310-1	60895-67	60893-67
Tapping	3/8"	M14	3/8"
Tige (mm)	6	8	8
Accessories		With 1 nut	With 1 collet nut

### ▶ FEMALE TOOL HOLDER



	65446-67	65818-67	65308-67	65447-67	65448-67
Shaft (mm)	3	4.5	6	8	10
Accessories	With Allen wrench	With Allen wrench	With Allen wrench	With Allen wrench	With Allen wrench
Intended use	For tools with Ø 3 mm	For tools with Ø 4.5 mm	For tools with Ø 6 mm	For tools with Ø 8 mm	For tools with Ø 10 mm

### ▶ MALE TOOL HOLDER



	65309-67	65310-67	65311-67	65312-67
Threading	3/8" x 24 UNF	3/8" x 24 UNF	M14	M14
Offset (mm)	16	24	12	31
Accessories	With 1 nut	With 2 nuts	With 1 nut	With 1 nut

# ELECTRICAL BRUSH AND ACCESSORIES



- Powerful, with high torque and adapted speed, avoids burning the rubber.
- Follow the recommendations in the instructions for use.



	61364-67	61359-67	61360-67
Description	Electrical brush, single speed 3,000 rpm, on cart with 4 wheels with flexible hose Ø 10	Flexible sheath	Flexible drive shaft Ø10
Power	380 V, 750 W	-	-
Dimensions (cm)	100x77x77	200	± 200
Weight (kg)	50	2.75	0.90

## ► TOOL HOLDER FOR BRUSHES



65307-67



61146-67

Hex (11 mm)	13 x 20
-------------	---------

## ► TOOL HOLDER WITH FLANGES



65794-67



65795-67



67251-67

S-4368-1

	67251-67	S-4368-1
Ø Thread (mm)	6	6
Ø thread length (mm)	10	10
Accessories	With 1 nut and 2 washers	With 1 nut





## RASPS AND TOOLS FOR RUBBER

### ▶ 1/2 SPHERICAL RASPS

- Rasps are recommended for rubber buffing and skiving.
  - Speed: between 1400 and 4500 rpm.
- We advise you to wear protective goggles when using this material.



	60339-67	60340-67	60341-67	60342-67	60343-67	60344-67	60345-67	60346-67	60347-67
Grit	GF	GM	TGG	GF	GM	TGG	GF	GM	TGG
Ø (mm)	50	50	50	76	76	76	102	102	102
Width (mm)	25	25	25	32	32	32	38	38	38
Tapping	3/8" x 24 UNF	3/8" x 24 UNF	3/8" x 24 UNF	Ø 14	Ø 14	Ø 14	Ø 14	Ø 14	Ø 14



**HQ**  
★★★★

	67620-67	S-4374-1	67621-67	S-4312-1	67622-67	67623-67	67624-67	67625-67
Grit	TGG	GM	GF	TGG	GM	GF	TGG	GM
Ø (mm)	50	50	50	76	76	76	102	102
Width (mm)	25	25	25	32	32	32	38	38
Tapping	3/8" x 24 UNF	3/8" x 24 UNF	3/8" x 24 UNF	Ø 14	Ø 14	Ø 14	Ø 14	Ø 14

Grit types:	Fine grit (GF) 60 or 170	Medium grit (GM) 36 or 230	Large grit (GG) 24 or 330	Very large grit (TGG) 16 or 390

**INTENSIVE USE**

REFERENCES WITH "INTENSIVE USE" MARKING  
 Tungsten carbide rasps with even teeth. They are made up of a sheet metal holder electronically coated with a number of steel beads (depending on the grain size). These beads themselves are covered with a "conical head" made of tungsten carbide, using the same process. Even and smooth teeth provide more consistent shaping, better ventilation, heating the rubber less and releasing less smoke.

▶ **ROUND RASPS**



	<b>60349-67</b>	<b>60350-67</b>	<b>60355-67</b>	<b>60356-67</b>	<b>60358-67</b>	<b>60359-67</b>		<b>66687-67</b>
Grit	GM	TGG	GM	TGG	GM	TGG	Grit	GM
Ø (mm)	50	50	50	50	50	50	Ø (mm)	108
Width (mm)	3.5	5	7	10	10	13	Width (mm)	10
Tapping	3/8" x 24 UNF	3/8" x 24 UNF	3/8" x 24 UNF	3/8" x 24 UNF	3/8" x 24 UNF	3/8" x 24 UNF	Ø hole (mm)	14

▶ **AIRBOT**



	<b>61129-67</b>	<b>61130-67</b>
Grit	TGG	TGG
Ø (mm)	50	50
Width (mm)	10	13
Hex socket. (mm)	11	11

▶ **CONICAL RASPS**



	<b>67640-67</b>	<b>67639-67</b>	<b>60373-67</b>	<b>60374-67</b>
Grit	TGG	GM	GM	TGG
Ø (mm)	25	25	25	25
Width (mm)	102	102	102	102
Tapping	3/8" X 24 UNF	3/8" X 24 UNF	3/8" x 24 UNF	3/8" x 24 UNF

## SKIVING TOOLS AND ACCESSORIES FOR RUBBER



- Rasps are recommended for rubber buffing and skiving.
  - Speed: between 1400 and 4500 rpm.
- We advise you to wear protective goggles when using this material.

### ▶ BALL RASPS

**HQ**  
★★★★



	66689-67	66688-67	60382-67	60383-67
Grit	TGG	GM	GM	TGG
Ø (mm)	20	20	20	20
Ø stem (mm)	6	6	6	6

### ▶ CERAMIC EMULSION CYLINDRICAL RASP

**HQ**  
★★★★



	S-4394-1
Ø (mm)	40
Ø stem (mm)	6

- Cutter specially designed for rasping the tire before placing a PRP.
  - Recommended speed: between 1400 and 4500 r.p.m.

### ▶ PENCIL RASPS



	60376-67	60377-67	60379-67	60380-67
Grit	GM	TGG	GM	TGG
Ø (mm)	6	6	6	6
Length (mm)	65	65	102	102
Ø stem (mm)	6	6	6	6

### ▶ ROUND RASPS

**HQ**  
★★★★



	67649-67
Grit	GG
Ø (mm)	30
Width (mm)	6
Ø stem (mm)	6

### ▶ MINI-RASP KIT



	61142-67			
	(1)	(2)	(3)	(4)
Dimension (mm)	Ø15 x 3	Ø 10	Ø6 x 15	Ø3 x 25
Ø stem (mm)	3	3	3	3

## SKIVING TOOLS AND ACCESSORIES

### ▶ MOUNTED BRUSHES WITH SHAFT



	60884-67	60885-67
Ø (mm)	55	60
Ep.(mm)	8	20
Ø Thread (mm)	6	6

### ▶ PVC-COATED BRUSHES WITH STEEL CABLE



	66124-67	66125-67
Ø (mm)	63	76
Ep.(mm)	8	8
Ø Thread (mm)	6	6

Use of these brushes limits projections.

### ▶ CONICAL REAMER TOOLS



	S-4946-1	65580-67	S-4947-1	65581-67	S-4954-1
Ø (mm)	3	4.5	6	8	10
Ø Thread (mm)	3	6	6	8	10

### ▶ CUTTERS FOR METAL

- Speed: maxi 25,000 rpm.
- Use cutter 66801-67 with a ø 6 mm stem (page 141).
- Use the stone for rubber tools P/N 60333-67.
- We advise you to wear protective goggles when using this equipment.



**HQ**  
★★★★



	61137-67	61138-67	61139-67	61140-67
Grit	80	80	80	80
Type of cutter	Mushroom	Ball	Conical	Conical
Ø (mm)	40	20	25	65
Thickness (mm)	10	-	8	20
Ø Thread (mm)	6	6	6	6

## FINISHING TOOLS

### ▶ ABRASIVE DISCS



	S-4789-1	65851-67
Ø Thread (mm)	6	6
Width (mm)	15	30
Ø ext (mm)	60	60
Grit Ø	-	-
Description	-	-

### ▶ ROLLERS AND EMERY RINGS



	60887-67	60888-67	60889-67
Ø Thread (mm)	6	6	6
Width (mm)	30	30	30
Ø ext (mm)	45	45	45
Grit Ø	60	60	40
Description	Complete with 5 rings	1 bag only	1 bag only

- Finishing tools allow to remove the vulcanized rubber excess.
  - Speed: between 1400 and 4500 rpm.
- We advise you to wear protective goggles when using this material.



## SKIVING TOOLS AND ACCESSORIES

### ▶ CUTTING WHEEL

**HQ**  
★★★★



Sold by 1	66962-67
Ø disc (mm)	50
Ø hole (mm)	6

### ▶ GOUGES



	60882-67	60883-67
Tapping	3/8" x 24 UNF	3/8" x 24 UNF
Ø gouge (mm)	32	50
Quantity per box	set of 3	1

- Speed: between 1400 and 4500 rpm.

## TOOLS FOR SHAFT MACHINES

### ► BRUSHES FOR RUBBER

- Brushes are designed for brushing the rubber and cleaning skived areas or steel cables.
- Speed: between 1400 and 4500 rpm.

USE: adaptors for shaft machines 65312-67 (Hex. 11 mm)



	S-4370-1	S-4979-1	S-4792-1
Description	Set of 5 soft brushes	Set of 5 hard brushes	Set of 2 flanges + 1 washer
Ø (mm)	70	70	45
Thickness (mm)	15/100e	35/100e	
Ø hole (mm)	10	10	10



	S-4306-1	S-4340-1	S-4369-1
Description	Set of 5 soft brushes for metal cables	Set of 5 hard brushes for rubber	Set of 2 plates
Ø (mm)	90	90	65
Thickness (mm)	15/100e	35/100e	68
Ø hole (mm)	14	14	14

### ► RUBBERIZED BRUSHES



	61143-67	61144-67	61145-67
Ø (mm)	50	75	75
Thickness (mm)	6	6	12
Ø hole (mm)	12.7	12.7	12.7

Use the tool holder 61146-67

## ACCESSORIES FOR BRUSH AND VACUUM CLEANER

### ▶ GREASE FOR BRUSH

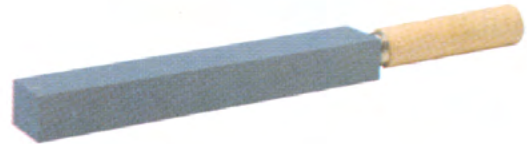


The interior of the brushes must be greased at least once a year

**65607-67**

Grease cartridge for brush interior

### ▶ STONE FOR RUBBER TOOLS



**60333-67**

Carborundum grinding stone with handle  
170 x 30 x 20 mm for cleaning metal skiving tools

### ▶ VACUUM CLEANER

- Operating pressure: 7 bar.
- Supply with non-lubricated filtered air



**65192-67**

**67215-67**

Description	Pneumatic vacuum for dust and balancing beads. It is also very helpful to empty the water from weighted or stored tires during severe weather	Vacuum cleaner 1100 W., 180 m <sup>3</sup> /h, tank 15 l. (bagless) with accessories
Weight (kg)	1.2	9.3
Connection	G 1/4	Tapping G 1/4

## SPREADERS, REPAIR TABLE

### ▶ MECHANICAL TIRE SPREADER



	66810-67	66811-67
Manual tire spreader	PL	GC
Max opening (mm)	300	870
Weight (kg)	2.3	5.1

### ▶ REPAIR TABLE

This is an essential component for all truck or earthmover repair stations.

This highly mobile trolley (4 swivel wheels) accompanies the operator and ensures that all the necessary repair tools are within his reach.

Size: L 55 x W 55 x H 115 cm.

Weight: 35 kg



Order the combined filter-regulator separately: ref. 67374-67

	67214-67
Description	Mobile cart on rollers L 55 x l 55 x h 115 cm.
Weight (kg)	35

### ▶ LIFTER SPREADER SUPPORT 300 KG

- Low position: Place the tire on 2 rollers, put the clamps in place and spread the tire beads.
- High position: using the control station lever, lift the tire spreader assembly.
- Control station with table for tools.



	67201-67	66154-67
Description	<p>Spreader-lift enabling the operator to work at a comfortable height without having to bend down.</p> <p>Possible intermediate positions.</p> <p>Can be embedded.</p> <p>Necessary working surface 3m<sup>2</sup>.</p> <p>Maximum lifting capacity: 20.5 R 25</p> <p>Maximum size capacity without lifting: 23.5 R 25</p> <p>Lifting strength at 12 bar: 200 kg</p> <p>Lifting strength at 15 bar: 300 kg</p> <p>Lifting stroke: 450 mm</p> <p>Air inlet: 1/4". Maximum pressure: 16 bar.</p> <p>Size: L. 1.2 x W. 0.8 x h 0.90 m.</p> <p>Weight: 160 kg.</p>	<p>Ramp option with assembly parts for lift-spreader 67201-67</p>



## PNEUMATIC HAMMERS AND OTR KNIFE

### ▶ PNEUMATIC HAMMERS

- Operating pressure: 6-8 bar.
- Filtered and lubricated air supply (see page 105).
- Connect a quick coupler 65088-67 onto the hammer.
- Compliant with Directive 2006/42/EC



	67231-67	66802-67
Description	Pneumatic hammer for flattening earthmover patches.	Pneumatic hammer for flattening for applying truck, farm vehicle and earthmover patches.
Weight (kg)	1.8	3
Connection	G 1/4	Tapping G 1/4
	Sold without fittings	Sold without fittings but with two wrenches and one spare head



	66664-67	65984-67	66803-67
Spare parts	Head for 67231-67	Spring for 67231-67	Rubber nipple for 66802-67

### ▶ OTR KNIFE

Tool to remove butyl for construction machine repairs



The repair of OTR tires can be problematic for technicians in certain phases.

The preparation phase before repair (brushing) is long and tedious for professionals, since it produces a lot of rubber dust. This tool responds to the needs of professionals as well as occupational health recommendations, by reducing the brushing phase by 90%.

- Reduces the brushing phase by 90%
- Control of heating power
- Touch button on handle to start blade heating
- Sold with box of 8 blades, 32-40 mm (ref 61322-67)
- Easy storage in plastic case

	61320-67	61322-67
Cutting width	32 to 40 mm	Box of 8 blades, 32-40 mm
Cutting depth	6 to 7 mm	



## SMALL HAND TOOLS

### ► KNIVES



	Description	Long blade (mm)
<b>17-249</b>	Curved knife	85
<b>17-248</b>	Knife with straight blade 10 cm	100
<b>67227-67</b>	Knife with ABS sleeve	160
<b>67228-67</b>	Knife with ABS sleeve	120
<b>67229-67</b>	Knife with ABS sleeve	280
<b>60338-67</b>	Stone for rubber tools 230 mm	

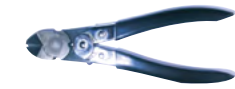
### ► STITCHER ROLLERS AND PROBING AWL



	Description	Ø roller (mm)	Width (mm)
<b>66383-67</b>	Indicator of Ø for PRP and TRP, L = 215 mm		
<b>R-5028-1</b>	Stitcher roller	34	9
<b>60881-67</b>	Toothed fine stitcher	25	2
<b>17-244</b>	Toothed stitcher	38	2
<b>17-245</b>	Toothed stitcher	38	6
<b>17-246</b>	Toothed stitcher	50	6
<b>61182-67</b>	Steel roller	40	46
<b>67225-67</b>	Stitcher with points	50	40
<b>67226-67</b>	Box of 3000 points for stitcher 67225-67		

## SMALL HAND TOOLS

### ▶ PLIERS



**65219-67**

Description  
Folding wire cutter for steel cables



**67221-67**

Wire cutter for steel wires



**67220-67**

Pliers



**65126-67**

45° angled circlip pliers

### ▶ BRUSHES, MALLET, RULE, SCREWDRIVER, SCISSORS, DEFACING TOOL



**67218-67**

Description  
Rubber mallet

Length(mm)  
320



**67222-67**

Short shaft whisk broom

290



**65279-67**

Steel convex brush

255



**65812-67**

Grater

150



**66085-67**

Stainless steel straight brush 0.35,  
4 rows, body in beech

310



**60886-67**

Scissors

Total: 200  
Blades: 110



**67233-67**

Tool for removing the tire registration number  
(delivered with its blade)

**67234-67**

Replacement blade

### ▶ PORTABLE LAMP

**V2316**

Bendable 120°  
Rechargeable battery 3.6 V  
Battery life 3.5 - 4 hrs  
5 LED = 300 lux at a distance of 60 cm  
18 LED = 800 lux at a distance of 60 cm  
Weight approx. 200 g  
IP30 protection



# TIRE MARKERS



If the marker stays connected during pauses, it may overheat and be damaged.



## 60235-67

Description	Tire markers power 300 W. Capacity 6 Letters or numbers height 12 mm reaches its temperature after 20 min
-------------	--



## 60181-67

## 66969-67

Description	SUPER MARKER Fitted with 135 x 64 mm rectangular head with groove. Ready for use after 20 minutes. The following items may be inserted: - 15 separate figures or letters, height 10 mm - 10 separate figures or letters, height 20 mm - 1 personalised logo engraved on removable plate	STANDARD" MARKER Fitted with 85 x 64 mm rectangular head with groove. Ready for use after 15 minutes. The following items may be inserted: - 9 separate figures or letters, height 10 mm - 5 separate figures or letters, height 20 mm - 1 personalised logo engraved on removable plate
Power	400 W	800 W
Possible engraving surface (mm)	135 x 64	157 x 67
W. (mm)	370	380
Weight (kg)	2	3.5

- These electrically heated marking appliances are used for marking tires by burning at a temperature of approx. 350°C.
  - The following items may be placed in the groove of "Standard", "Super" appliances:  
separate numbers or letters, or a text or logo on a removable plate.
    - Power 230 V single phase with earth.



### Extract from the «Tire repair Guide» printed by "Les professionnels du pneu"

"Tire repairs with patches and vulcanization in conformity with all repair process standards and control standards are marked with an indelible marking.

<sup>1)</sup>A mark inside clearly identifying the repairer will be affixed to the repair itself.

This marking will include the first six numbers of the repairer's RC (starting from the left) or name.

<sup>2)</sup>On the outside, a hot stamping will show "REP" on the fitting line vertical to the repair.

As of 1<sup>st</sup> January 2009, no more hot vulcanizing repairs on tire sidewalls can be made without the "REP" marking. Application for cars equipped with repaired tires according to professional practice code: as of 1 January 2012, all tires repaired on sidewall and according to professional practice code must be stamped with "REP" marking.

<sup>[2]</sup> **65822-67** Aluminium plaque P/N.

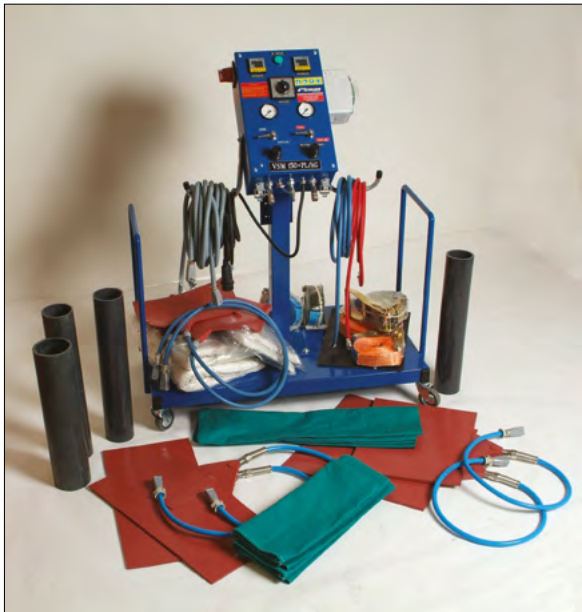
All letters and numbers available on request.



	Letter	Height (mm)
<b>67471-1R</b>	R	10
<b>67471-1E</b>	E	10
<b>67471-1P</b>	P	10







	Letter	Height (mm)
<b>67472-2R</b>	R	20
<b>67472-2E</b>	E	20
<b>67472-2P</b>	P	20

## VULCANIZERS "VSM 150"

- Vulcanization devices must always be operated under operator supervision.
- Disconnect the cabinet from the mains supply once vulcanization is complete.
    - Never open the cabinet without disconnecting it from the mains supply.



Specifications		
	66662-67	66663-67
Power supply	230 V 2 P + T 16 A 30 mA	
Max power (W)	3500	
Timer (Time)	0 - 12	
Weight (kg)	67	147
Heating pad temperature (°C)	120	
Operating pressure (bar) dry air calibrated	2	
Maxi patch code	144	144 / 186 and 052  
Control box dimensions (cm)	l. 40 x prof. 25 x h. 60	
Device dimensions on stand (cm)	l. 94 x prof. 66 x h. 134	

	66662-67	66663-67
Applications		    
Description	Vulcaschrad complete	Vulcaschrad PL - AGR - GC - TP
Accessories provided	<ul style="list-style-type: none"> <li>- 1 regulating cabinet VSM 150. 2 adjustable thermoregulators and its trolley with wheels</li> <li>- 4 inflation extensions (67445-67)</li> <li>- 2 heating pads 32 x 21 cm (TCR) (67382-67)</li> <li>- 2 heating pads 56 x 27 cm (T1) (67383-67)</li> <li>- 2 flat airbags 34 x 22 cm (C13) (65445-67)</li> <li>- 2 flat airbags 57 x 31 cm (C2) (65444-67)</li> <li>- 3 straps for light trucks, little size L=3m (66837-67)</li> <li>- 3 straps for trucks, large size L=3m (67447-67)</li> <li>- 1 protective screen 40 x 28 cm (65870-67)</li> <li>- 1 protective screen 77 x 37 cm (67419-67)</li> <li>- 5 plastic filling tubes ø 11, L = 27 cm (65873-67)</li> <li>- 10 plastic filling tubes ø 11, L = 40 cm (65874-67)</li> <li>- 2 set of 6 compensation bags 11 x 45 cm light truck (65875-67)</li> <li>- 2 set of 6 compensation bags 11 x 55 cm heavy truck (65876-67)</li> </ul>	<ul style="list-style-type: none"> <li>- 1 regulating cabinet VSM 150. 2 adjustable thermoregulators and its trolley with wheels</li> <li>- 5 inflation extensions (67445-67)</li> <li>- 2 heating pads 32 x 21 cm (TCR) (67382-67)</li> <li>- 2 heating pads 56 x 27 cm (T1) (67383-67)</li> <li>- 1 heating pads 42 x 33 cm (T1A) (65865-67)</li> <li>- 1 heating pads 48 x 44 cm (T1B) (65866-67)</li> <li>- 2 flat airbags 34 x 22 cm (C13) (65445-67)</li> <li>- 2 flat airbags 57 x 31 cm (C2) (65444-67)</li> <li>- 1 flat airbag 50 x 50 cm (C2B) (65872-67)</li> <li>- 3 straps for light trucks, little size L=3m (66837-67)</li> <li>- 3 straps for trucks, large size L=3m (67447-67)</li> <li>- 1 protective screen 40 x 28 cm (65870-67)</li> <li>- 1 protective screen 77 x 37 cm (67419-67)</li> <li>- 5 plastic filling tubes ø 11, L = 27 cm (65873-67)</li> <li>- 10 plastic filling tubes ø 11, L = 40 cm (65874-67)</li> <li>- 12 plastic filling tubes ø 11, L = 50 cm (67433-67)</li> <li>- 20 plastic filling tubes ø 11, L = 60 cm (67435-67)</li> <li>- 2 set of 6 compensation bags 11 x 45 cm light truck (65875-67)</li> <li>- 2 set of 6 compensation bags 11 x 55 cm heavy truck (65876-67)</li> <li>- 1 set of 20 compensation bags (65434-67)</li> <li>- 1 set of 6 filling bags (3 of 30 x 25cm) and (3 of 25 x 14 cm) (65432-67)</li> </ul>

## VULCANIZER "VSM 200"

- The advantages of these vulcanizers are their use adaptability, small size and capacity to repair all tire sizes up to 59/80 R63.
- Flexible rubber heat pads and air bag conform to the profile of radial, cross ply, wide base low profile and avoid any deformation during vulcanization.
  - The composition of VSMs depends on the mini and maxi size of the tires and patches to be vulcanized.
    - Electronic setting of the heating temperature according to the type of tire used.

### SINGLE-ZONE VULCANIZER WITH 2 ADJUSTABLE THERMOREGULATORS ADJUSTABLE FROM 0 TO 140°C FOR VULCANIZING ONE TIRE AT A TIME

#### ► REGULATING CABINET



	67370-67	65328-67
Applications		
Description	Cabinet with 2 thermoregulators, 2 air regulators without stand	Mobile support option - (25 kg)

Specifications	
Power supply	230 V 2 P+T 16 A 30 mA
Power (W)	3500
Timer (Time)	0 - 12
Weight (kg)	30
Heating pad temperature (°C)	120
Operating pressure (bar) dry air calibrated	2
Control box dimensions (cm)	L. 40 x depth 25 x height. 60

For multicure options, contact us

- Vulcanizing devices must always work under the supervision of an operator.
- Disconnect the cabinet from the mains as soon as the vulcanization is finished.
- Never work in a cabinet without disconnecting the mains.
- These vulcanizers are equipped with a circuit breaker to optimise operator safety.

#### ► ACCESSORIES

- Accessories must be ordered separately.

Vulcanizer						
	Maxi patch code: 140	Maxi patch code: 144	Maxi patch code: 186 ou 052	Maxi patch code: 150	Maxi patch code: 156	Maxi patch code: 162
VSM 200	V1	V2	V2 + V3	V2 + V4	V2 + V4 + V5	V2 + V4 + V5 + V6



## COMPONENTS FOR "VSM" VULCANIZERS

### ► MONO-ZONE FLEXIBLE HEATING PADS

T. 100 to 120°C with protective film, for cabinets VSM 150, VSM 200, VSM 204 and VSM 208



- Never leave the heating pad unattended during a vulcanization.
- The pad must be powered with talc on each side before use...
- Handle pads only with the power off (not connected to the cabinet) and with two hands in order to avoid damaging them.
  - Never pick up the pads by the electrical connections.
    - Store the pads flat.
  - Properly chock pads during vulcanization



The code is written on a corner of the mat. For multicure options, contact us

	<b>67382-67</b>	<b>67383-67</b>	<b>65865-67</b>	<b>65866-67</b>	<b>67384-67</b>
Code	TCR	T1	T1A	T1B	T8
Dimensions (cm)	32 x 21	56 x 27	42 x 33	48 x 44	73 x 35
Use					
Protective foil	66551-67	66544-67	66545-67	66546-67	66550-67

	<b>67385-67</b>	<b>67386-67</b>	<b>67388-67</b>	<b>67389-67</b>	<b>66797-67</b>
Code	T5	T6	T2	T3	Set of 25 mould-release tissues 20 x 50 cm
Dimensions (cm)	86 x 44	112 x 44	52 x 49	66 x 69	
Use					
Protective foil	66548-67	66549-67	66546-67	66547-67	

### ► PROTECTIVE SCREENS



	<b>65870-67</b>	<b>65871-67</b>	<b>67419-67</b>
Dimensions (cm)	40 x 28	60 x 60	77 x 37

## COMPOSANTS FOR "VSM" VULCANIZERS

For personalized markings, contact us

### ▶ EXTRA FLAT AND VERY FLEXIBLE AIRBAGS



	61210-67	61211-67	61212-67	61213-67	61214-67	61215-67
Dimensions (cm)	34 x 22	40 x 40	50 x 50	57 x 31	60 x 60	75 x 35
	61216-67	61217-67	61218-67	61219-67	61220-67	
Dimensions (cm)	80 x 80	100 x 50	100 x 100	120 x 50	120 x 60	

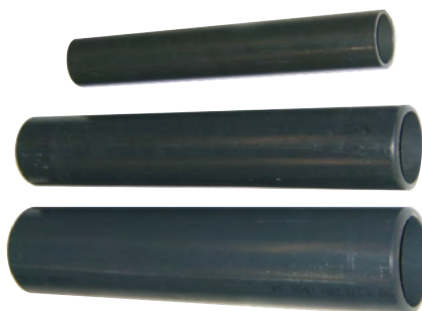
### ▶ FLAT AIRBAGS



Equipped with 2 reinforcement covers

	65445-67	65444-67	65872-67	67411-67	67404-67	67405-67	67407-67	67445-67
Dimensions (cm)	34 x 22	57 x 31	50 x 50	80 x 80	75 x 35	100 x 50	120 x 60	Extension for flat airbag, L= 50 cm
Code	C13	C2	C2B	C90	C31	C51	C120	

### ▶ PLASTIC RIGID FILLING TUBES



	65873-67	65874-67	67433-67	67435-67
Dimensions Ø x L. (cm)	11 x 27	11 x 40	11 x 50	11 x 60
Use				



## BAGS AND STRAPS

### ▶ PRESSURE AND HEAT TRANSFER BAGS, FILLED WITH AGGLOMERATE BALLS



	65601-67	65602-67	65603-67	66841-67
Dimensions (cm)	11 x 11	13 x 18	16 x 22	8 x 30
	66843-67	66844-67	66845-67	66840-67
Dimensions (cm)	14 x 27	10 x 43	18 x 33	Set of 9 sacs [1de chaque Reference]

### ▶ EXTERNAL FILLING BAG TO AVOID DEFORMATION OF THE PAD



[sold empty]

	65432-67
Dimensions (cm)	Set of 6 sacs: - 3 sacs 25 x 14 - 3 sacs 30 x 25
Use	

### ▶ COMPENSATION BAGS FOR INTERNAL WEDGING



[sold empty]  
to be filled with dry, very fine sand

	65875-67	65876-67	65434-67
Quantity	Set of 6	Set of 6	Set of 20
Dimensions (cm)	11 x 45	11 x 55	15 x 70
Corresponding airbag	C13	C1, C2, C31	C31, C51, C120
Use			

### ▶ STRAPS



	66837-67	67447-67	67448-67	67449-67	66838-67
Width x length (cm)	300 x 5	300 x 5	400 x 5	500 x 5	Guide-straps 5 rounds
Type of tensioner	Small	Large	Large	Large	
Colour	Blue	Blue	Orange	Green	
Marking (*)	SCHRD 3	SCHRD 3	SCHRD 4	SCHRD 5	

(\*) The No. corresponds to the length of the strap in m

# MANUAL VULCANISING PRESS "M50"

## FOR SIDEWALL REPAIR

- Portable vulcanizing press for repairing all types of tire .
  - 2 heating units.
- Constant pressure in the tire throughout the operation.
  - Timer.
- Leg for ground fixture optional extra.



	65897-67
	Sold complete with swivel support base (65982-67)
Power supply	230 V 2 P + T
Power (W)	1200
Weight (kg)	29.4
Dimensions of heating unit (cm)	19 x 10
Device dimensions (cm)	Length. 63 x Width 20 x height. 98

65982-67
Directionable stand optional extra

## REPAIR SUPPORTS-LIFTS

### ▶ 1.5 T. MODEL

- Allows the operator to work at a comfortable height without having to bend down or handle the tire.
  - Makes tire inspection and repair easier.
- Max operating pressure: 7 bar. Use a Filter-Regulator-Lubricator on the compressor outlet.
- We advise you to wear protective goggles, gloves and footwear when using this equipment.
  - Follow the user instructions.



Contact us for equipment up to 7T

<b>67208-67</b>	
<b>HQ</b> ★★★★	- Hydraulic raising/lowering, actuated by the operator with a lever located on the pump at the rear of the device. - Rollers rotate freely in the hand. - Safety in the work position due to pin with 6 possible positions. - The lower part of the tire is free to enable the straps of a vulcanizer VSM 200 to be passed through it. The device can be immobilised by means of the 2 screws on the base plate.
Maximum tire size	33/25 R35
Lifting strength	1.5 T
Maximum lifting capacity (Kg)	1500
Lifting stroke (mm)	800
Dimensions (mm)	L.1940 x W.1450 x H.1525
Necessary working surface area	min. 1 meter around the device
Maximum pressure (bar)	700
Tare weight (kg)	300
Roller's dimensions	Rollers Ø 90 mm with a useful length: of 950 mm

## Chapter 8



- Everything you need to properly maintain tires
- A must for professionals

### STORAGE OF PARTS:

To maintain the expiry dates, store the parts, products and solutions:

- In a clean dry place.
  - Away from frost and heat
- Keep the containers closed

Follow the user instructions.



### THE LABELLING SYMBOLS FOR HIGH-RISK:

products are given for information purposes only. The products are liable to change and their safety sheets are available at your disposal.

## After-sales service: A trained & experienced after-sales team

Mounting, calibration, repair and maintenance:

- Pressure gauges
- Hydropneumatic jacks
- Tire sculptors
- Construction and agricultural vehicle tire mounting tools
- Torque wrenches

For non-manufactured products, Schrader Pacific Tire Hardware Solutions has obtained tool supplier approvals for internal after-sales services.



Service SAV Schrader S.A.S.  
Quai n° 2 - Rue Jean Mermoz  
25300 Pontarlier - France  
France => Tél.: +33 (0) 381 38 56 60  
International => Tél.: +33 (0) 381 38 56 27

**Cattini**  
OLEOPNEUMATICA  
Cattini-approved repair service

## SERVICE TOOLS AND EQUIPMENT



• Impact wrenches .....	144 - 145
• Impact sockets .....	146 - 148
• Tire sculptors.....	123 - 126
• Handling lifting.....	150 - 153
Jack stand, hydraulic jacks, mobile hydropneumatic lifts	
• Tools for 1-piece rim .....	154
• Products for tire mounting and removal.....	155 - 156
Tire paste, cream, gel, lubricant, sealant and brushes	
• Marking chalks and STYLMARK® .....	156
• Workshop service: lubricant, degreaser and cleaner for brakes.....	157
• Tire wear gauges.....	158
• Tools for valves.....	159
• Levers .....	160 - 161
• Torque wrenches.....	161
• Personal protective equipment.....	162-163



# IMPACT WRENCHES



	66865-67	65810-67	66670-67
Code	KP-1838 A	KP-1036-6	KP-1838A-6
Square (")	1	1	1
Handle	Straight	Straight	Straight
Impact system	Double	Double	Double
Body and handle	Metal	Metal	Metal
Air exhaust	On the side	On the side	On the side
Speed (rpm)	5000	4000	5000
Torque (N.m)	2712	2441	2712
Weight (kg)	7.04	11.3	8.1
Length (mm)	347	518	487
Air inlet connector (")	G 1/2 F	G 1/2 F	G 1/2 F
Shaft	Short	Long	Long
Air consumption (L/min)	255	312	255
Acoustic pressure dB(A)	106	101.95	104
Noise level dB(A)	121	112.94	120
Acoustic pressure dB(C)	117	102	115
Vibration Level (M/S <sup>2</sup> )	17.2	15.24	14.5
Pressure relief kit: 6 bar limit (order separately)	<b>66665-67</b>		

## ► PRESSURE RELIEF KIT LIMITING PRESSURE TO 6 BAR FOR IMPACT WRENCHES



	66817-67	66665-67
Air inlet connector (")	G 3/8 F	G 1/2 F
For hose Ø (mm)	12	12



- Maximum operating pressure: 6 bar, filtered and lubricated. Lubricate and clean tools with the recommended products
- Pressure relief kit must be used to keep pressure at 6 bar (see below table).
  - To preserve impact wrenches, use the necessary filters.
- Wheel nut tightness must be checked after 25 to 40 km and again after another 100 km, then regularly.
  - Follow the user instructions.

- Wear ear protection.

65808-67	66091-67
KP-1032	KI-30
1	3/4
Revolver	Revolver
Double	Double
Metal	Metal
Under handle	Under handle
5500	5500
1627	1492
5.64	5.6
224	220
G 3/8 F	G 3/8 F
Short	Short
269	269
100	98.35
111	109.35
101	99
21.64	9.13
<b>66817-67</b>	

### ► PNEUMATIC TOOL LUBRICANT



#### 65775-67

Special lubricant for pneumatic tools with lubricating agents and anticorrosion agents. 2-litre can.



Expiry date: 2 years after the date of manufacture

### ► AIR INLET CONNECTORS



#### 65088-67

Conical G 1/4 pre-Teflon-coated threaded quick connect fitting



#### 65845-67

Conical G 3/8 pre-Teflon-coated threaded quick connect fitting, air passage 11 mm



#### 65093-67

Conical G 1/2 pre-Teflon-coated threaded quick-connect fitting, air passage 11 mm

## IMPACT SOCKETS

### ▶ IMPACT SOCKETS SHORT 3/4"



	Dim. on flat (mm)	Ø ext. (mm)	W. (mm)
<b>66587-67</b>	23	35	52
<b>66588-67</b>	24	36	52
<b>66589-67</b>	26	40	52
<b>66590-67</b>	27	40	52
<b>66591-67</b>	29	42	52
<b>66592-67</b>	30	44	52
<b>66593-67</b>	32	44	52
<b>66594-67</b>	33	47	56
<b>66595-67</b>	36	51	56
<b>66596-67</b>	38	53	56

### ▶ IMPACT SOCKETS LONG 3/4"



<b>66577-67</b>	23	35	85
<b>66578-67</b>	24	36	85
<b>66579-67</b>	26	40	85
<b>66580-67</b>	27	40	85
<b>66581-67</b>	29	42	85
<b>66582-67</b>	30	44	85
<b>66583-67</b>	32	44	85
<b>66584-67</b>	33	47	85
<b>66585-67</b>	36	51	85
<b>66586-67</b>	38	53	85

### ▶ IMPACT SOCKETS EXTRA LONG 1"



<b>60325-67</b>	27		270
<b>60326-67</b>	29		270
<b>60327-67</b>	30		270
<b>60328-67</b>	32		270
<b>60329-67</b>	33		270

### ▶ IMPACT SOCKETS SHORT 1"



<b>66597-67</b>	23	40	58
<b>66598-67</b>	24	40	58
<b>66599-67</b>	26	42.5	58
<b>66600-67</b>	27	44	58
<b>66601-67</b>	29	46	60
<b>66602-67</b>	30	48	60
<b>66603-67</b>	32	50.9	60
<b>66604-67</b>	33	52	62
<b>66605-67</b>	36	52	62
<b>66606-67</b>	38	52	62



## IMPACT SOCKETS

### ▶ EXTRA THIN IMPACT SOCKETS LONG 1"



	Dim. on flat (mm)	Ø ext. (mm)	W. (mm)
<b>66607-67</b>	23	38	108
<b>66608-67</b>	24	39	108
<b>66609-67</b>	26	41	108
<b>60289-67</b>	27	42.5	108
<b>60290-67</b>	29	45	108
<b>60291-67</b>	30	45.5	108
<b>60292-67</b>	32	48	108
<b>60293-67</b>	33	50	108
<b>60295-67</b>	36	54	108
<b>60296-67</b>	38	56	108

### ▶ IMPACT SOCKET WITH TORQUE CONTROL 1"



	Dim. on flat (mm)	Torque (N.m)
<b>60324-67</b>	24	350
<b>60297-67</b>	27	350
<b>60298-67</b>	27	450
<b>60299-67</b>	29	400
<b>60300-67</b>	30	500
<b>60301-67</b>	32	450
<b>60302-67</b>	32	600
<b>60303-67</b>	33	600
<b>60304-67</b>	36	600
<b>66981-67</b>	32	650
<b>66982-67</b>	33	650
<b>66983-67</b>	32	750
<b>66984-67</b>	33	750

- Not for untightening.
- Check tightness with a torque wrench.

### ▶ UPSIZE

### ▶ DOWNSIZE

### ▶ EXTENSIONS



	Female	Male
<b>65289-67</b>	3/4"	1"
<b>66612-67</b>	1/2"	3/4"



	Female	Male
<b>66611-67</b>	3/4"	1/2"
<b>60310-67</b>	1"	3/4"





	Type	W. (mm)
<b>66615-67</b>	3/4"	250
<b>60305-67</b>	1"	175
<b>65663-67</b>	1"	330

## IMPACT SOCKETS

### ▶ IMPACT SOCKETS TRUCK AND EM LONG 1"



	Dim. on flat (mm)	Ø ext. (mm)	W. (mm)	Use
<b>65756-67</b>	23	40	90	
<b>60280-67</b>	24	40	92	
<b>60281-67</b>	26	42.5	90	
<b>60282-67</b>	27	44	90	
<b>60283-67</b>	29	46	90	
<b>60284-67</b>	30	48	90	
<b>60285-67</b>	32	50.9	90	
<b>60286-67</b>	33	53	90	
<b>60287-67</b>	36	56	90	
<b>60288-67</b>	38	58	92	
<b>65175-67</b>	40	60	92	
<b>65176-67</b>	41	61.5	92	
<b>65177-67</b>	42	63	92	
<b>65178-67</b>	44	66	92	
<b>65179-67</b>	45	67	92	
<b>65180-67</b>	46	68	92	
<b>65181-67</b>	48	71	95	

### ▶ IMPACT SOCKETS 1" FOR SQUARE



	Square
<b>65189-67</b>	17.5
<b>65190-67</b>	20.5



### ▶ IMPACT SOCKETS KIT SHORT 1"



**60267-67**

Kit of 8 truck impact sockets  
SHORT 1"  
[24+27+30+32+33+36+38+41]

### ▶ IMPACT SOCKETS KIT LONG 1"



**66613-67**

Kit of 8 truck impact sockets  
LONG 1"  
[24+27+29+30+32+33+36+38]

## TIRE REGROOVER

- It's a tough machine, specially designed for tire maintenance specialists, for regrooving truck tires.
- For regrooving, see the manufacturer's guidelines.



Includes: One template 65616-67 in each box.



PS15 PLUS S-4145-M1	PS15 Truck STAR PLUS S-4145-V5
230 V -50 Hz - Power 500 w	
<ul style="list-style-type: none"> <li>- Metal case</li> <li>- Ergonomic handle with head that takes all blades on the market</li> <li>- Increased power enabling "non-stop" regrooving of truck tire casings</li> <li>- Easy handling thanks to its rubber cables.</li> <li>- In accordance with NF standard EN 60335-2-45</li> </ul> <p><b>63184-M1:</b> PS15 PLUS 120 V - 60 Hz (or 50 Hz)</p>	<ul style="list-style-type: none"> <li>- Digital display of the heating power, selection with integrated (+) and (-) buttons</li> <li>- 1 to 99 % adjustment of the power delivered by the transformer</li> <li>- Standby after 15 min. of no use.</li> <li>- Metal case</li> <li>- Particularly well designed head that takes all blades currently on the market</li> <li>- Increased power enabling "non-stop" regrooving of truck tire casings</li> <li>- Easy handling thanks to its rubber cables.</li> <li>- Conforms to EC electrical standards (325-1 and 325.2.45)</li> </ul> <p><b>63184-V5:</b> TRUCKSTAR PLUS 120 V - 60 Hz (or 50 Hz)</p>



Please note. When ordering the regroover, don't forget to order the blades.

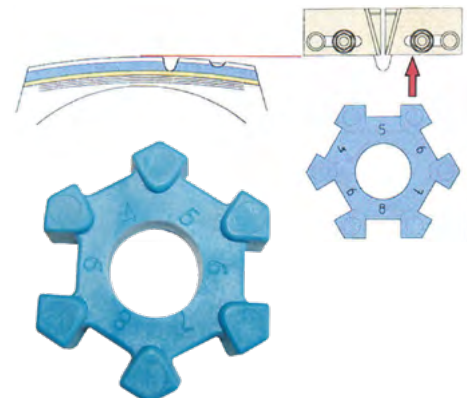
<b>33759-67</b>	Complete handle (slides + head + cables)
<b>33760-67</b>	Spare head
<b>63183-67</b>	Set of 2 cables
<b>S-4736-1</b>	Set of 2 slides
<b>S-4391-1</b>	Slight lightening wrench

Follow the user instructions.

### ▶ BLADES

- Sold in boxes of 20, except S-4730-1 per 10.  
\* Regrooving width approx.

Rounded	R1	R2	R3	R4	R5	C6
	<b>S-4700-1</b>	<b>S-4701-1</b>	<b>S-4702-1</b>	<b>S-4703-1</b>	<b>S-4704-1</b>	
	* 3 to 5 mm	* 5 to 11 mm	* 7 to 13 mm	* 9 to 16 mm	* 11 to 18 mm	
Squares	C1	C2	C3	C4	C5	S-4730-1
	<b>S-4705-1</b>	<b>S-4706-1</b>	<b>S-4707-1</b>	<b>S-4708-1</b>	<b>S-4709-1</b>	
	* 3 to 5 mm	* 6 to 10 mm	* 8 to 12 mm	* 10 to 14 mm	* 12 to 17 mm	Agricultural *20 to 28 mm



**65616-67**

## HANDLING LIFTING

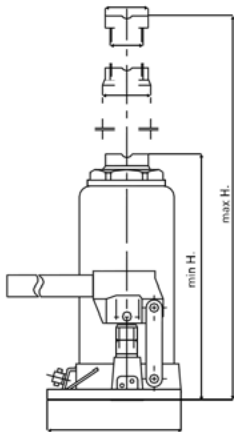
### ▶ ADJUSTABLE PROPS





- Low profile model on wheels with handle.
- 5 height adjustment positions, locking by pin.
- Square base 22 cm to stabilise the load.

	451205
Props sold in pairs	(2)
Capacity (T)	12
Net weight (kg)	20
Min height (mm)	302
Max height (mm)	450
Base (mm)	272.5 x 220
Type	mobile



### ▶ PORTABLE HYDRAULIC BOTTLE JACKS



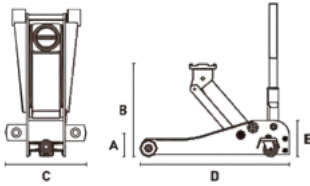
	 <b>411200</b>	 <b>411500</b>	 <b>412000</b>	 <b>413000</b>
Capacity (T)	12	16	20	30
Net weight (kg)	7.2	8.3	10.5	14.6
Min height (mm)	214	225	244	285
Max height (mm)	399	425	449	460
Piston stroke (mm)	125	140	145	180
Extension screw (mm)	60	60	60	60
Base (mm)	140 x 135	140 x 140	155 x 140	175 x 160
Material	Steel			
Base material	Iron			
Use	Can be used horizontally or vertically			

65277-67
50
28.5
252
402
150
-
180 x 230

## HANDLING LIFTING

### ► MOBILE AIR HYDRAULIC JACKS

Ultra-light device, ideal for workshops and repair trucks, as well as narrow spaces  
For lifting of low-frame vehicles



	420500	421000
Capacity (T)	5	10
Net weight (kg)	90	145
A: Min height (mm)	150	160
B: Max height (mm)	680	550
C: Width (mm)	366	485
D: Length (mm)	1505	1355
E: Height (mm)	1345	1635

### ► CARTS AND WEDGES



61269-67	471105
Yellow polypropylene wedge, 385x155x180 mm	Tire cart, capacity 220 kg

## HANDLING LIFTING

### ► WHEELED HYDROPNEUMATIC LIFTS

- Reliability, durability and easy use. Special high quality materials.
- Control tests on each unit. Air hydraulic pump with unique movement. Automatic retraction of pistons.
- The double descent valve allows a constant and controlled speed when the jack is loaded and faster when empty. Perfect behaviour of the load guaranteed, even in case of accidental breakage of an air or oil pipe.
  - Pressure relief valve protects jack from excessive load.
- The lever with 3 positions allows very easy handling and precise positioning under the load.
  - Delivered with 2 steel extensions 70 and 120 mm plus a non-slip toothed plate.
  - Operating pressure 8.5 to 12 bar (Supply with filtered, lubricated air).
  - Compatible lubricants: ATF DEXRON IID or IGOL ATF 430.
  - Follow the user instructions.



	<b>66069-67</b>	<b>66068-67</b>	<b>66858-67</b>	<b>61372-67</b>
Model	P152C	P182C	P102	YAK 135
Capacity (T)	30/15	29/18	30/15	30
Net weight (kg)	39	37	28	57
Maxi operating pressure (bar)	9-12	9-12	9-12	8-10
Jack height closed (mm)	175	150	175	350
Max height with extensions (mm)	515	457	465	-
Total piston stroke (mm)	186	157	186	230
Total height (mm)	1250	1250	-	1415
Width (mm)	215	215	215	275
Length (mm)	420	420	400	725
Mini operating temperature (°C)	-	-	-	-20
Maxi operating temperature (°C)	-	-	-	+50

### ► Collars



	<b>65123-67</b>	<b>65124-67</b>	<b>65125-67</b>
H. (mm)	10	70	120

**INTENSIVE USE**

## Tough machines, designed for tire specialists for raising low-profile vehicles and trucks.

- Bottle jacks with slam stop button.
- Actuated with single-acting pump, they are equipped with safety devices that protect them against overloads and prevent them lowering in the event of accidental breakage of the tubes. The 2 pistons are manufactured with a special high-strength steel. They owe their stability to their wide base and large-diameter wheels and the three-position handle makes them easy to handle. Lowering of the empty piston is commanded by a depressurising system.
  - Come with steel extensions.
- Operating pressure: 9 to 12 bar (Supply with filtered, lubricated air).
  - Compatible lubricants: ATF DEXRON IID or IGOL ATF 430.
  - Follow the user instructions.



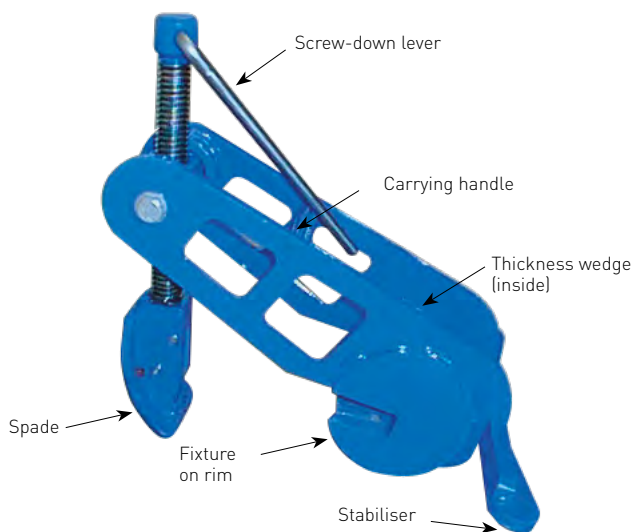
65037-67	65015-67	65016-67	65017-67	65018-67
YAK 215P	YAK 215/N	YAK 217/N	YAK 312	YAK 510
30/15	30/15	30/15	60/30/15	44/32/22/14/8
35	39	41	50	63
8-12	8-12	8-12	8-12	8-12
150	150	170	120	100
-	-	-	-	-
150	150	171	135	160
1100	1400	1400	1385	1385
300	300	300	300	350
500	525	525	660	1000
-20	-20	-20	-20	-20
+50	+50	+50	+50	+50

Recommended filtering fitting:  
65491-67 and pressure regulator  
65579-67

## TOOLS FOR 1-PIECE RIM



### ► "D.S.P.L.C.": COMPACT TRUCK BEAD BREAKER FOR RIMS WITH PROTECTED VALVE



These new rims have the following features:  
 - valve positioned differently, making access complicated  
 - addition of a safety hump  
 Tire dismounting is very difficult, especially at the bead.  
 DSPLC resolves this problem in a very simple way.  
 The operation is fast and requires no special effort.

#### FITMENT PROCEDURE:

- Start with wheel laid flat, spider facing upwards.
- Grease the bead of the tire at the spot where you want to beadbreak it.
  - Hook the beadbreaker on the edge of the rim.
- Screw, while guiding the spade on the flank of the tire as close as possible to the bead and to the rim edge. Stop as soon as the bead crosses the hump.
  - To remove the device, proceed in reverse order.
  - Alloy rim spiders are thicker than those on metal rims. A thickness wedge fitted with a wing nut is provided to compensate this difference.

**60308-67**

Mechanical beadbreaker for hollow base truck wheels with protected valve, steel or alloy rims of sizes 17.5, 19.5 and 22.5.  
 Weight: 14 kg

- Use: before using it for the first time, fix the stabiliser using the 2 hexagon socket screws provided.
  - Handling: use the carrying handle.
- Upkeep: regularly clean and crease the screw and the spade.



**65003-67**

Zero inset rims, 120, 125 and 130  
 Optional collar adaptable on the DSPLC 60308-67  
 Weight: 9.5 kg

### ► RUCK RIM BREAKERS



	65528-67 65528-99	65529-67 65529-99
	DISMA	LESMA (For tank transporter)
Use	Jack placed between frame and rim	Jack placed between two dual rims
Dimensions	L. 152 mm, Ø 40 mm	L. 79mm, l. 56 mm, thickness 45 mm + wedge (8mm)
Cylinder stroke (mm)	75	11
Power at 700 bar (T)	5	11
Weight (kg)	1.7	1.65
	Tapping 3/8" NPT	Tapping 3/8" NPT

Makes removal easier when the hub and rim have welded together due to an electro-galvanic reaction (particularly on alu rims).

**Never get too close to a tool while in use.**  
 \*suffix 67: tools equipped with quick connect coupler 67072-67.  
 \*suffix 99: tools equipped with screw connection 67065-67.





## TIRE MOUNTING AND REMOVAL

### ► MOUNTING GREASE

- For the mounting and removal of truck, earthmover and handling machinery tires.
- Not for use on car or motorcycle tires.



**HQ**  
★★★★



	T-GREASE + 66046-67	T-GREASE 66045-67
Liters (lt)	4	4
Use	NB: This product freezes at -18°	
Storage (after opening)	1 year	6 months

TIGRE 80	
<b>R-5084-1</b>	4 kg bucket (per unit)
<b>R-5084-0</b>	4 kg bucket (per 6)



**Expiry date:**  
2 years after the packing date.

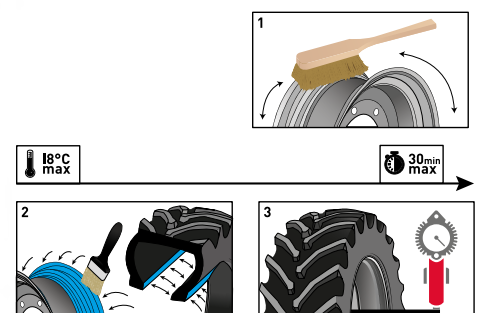
**Expiry date:**  
1 year after the packing date.

**Expiry date:**  
2 years after the packing date.

### ► BOUNDING AGENT



- Bonding agent for rim seat and bead of agricultural vehicle tires
- Prevents sliding of tire on rim
- Fast mounting and drying



	AGRIGLUE 61347-67
Container	500 g
Use	Dry in 30 minutes at 18°C max



# TIRE MOUNTING AND REMOVAL



## ► Sealer

## ► EM inflating gel

## ► EM lubricating gel



Sealing product	MAXIGEL	DETAGEL	
<b>60813-67</b>	<b>65226-67</b>	<b>65686-67</b>	<b>65687-67</b>
Bead sealer between the tire bead and the rim edge For car rims 945 ml can Brush cap included	Mounting and inflating gel for EM tires 10 kg bucket	Lubricating gel for removal of truck and EM tires "DETAGEL" 5-litre plastic can Storage temperature: 0 to 40° C Application temperature: 20° C <b>NB, this product is sensitive to freezing</b>	Can with applicator cap for lubricating gel 65686-67 1 L plastic can (sold empty)

**Expiry date:**  
5 years after the packing date.

**Expiry date:**  
1 year after the packing date.

• this product freezing to 0°C.



For tire paste and grease	
<b>60804-67</b>	VL-PL Spare head 66152-67
<b>60805-67</b>	PL-GC Spare head 66153-67

Chalks (Box of 12)	
<b>S-4305-1</b>	white Ø 17 mm
<b>S-4305-J</b>	yellow Ø 17 mm

Soap for hand 5L	
<b>66999-67</b>	With wood micro-fibre. Ingredients gentle on skin.



Stylmark	
<b>65763-67</b>	Stylmark 3 mm yellow
<b>65764-67</b>	Stylmark 3 mm white
For all materials and surfaces 50 ml.	

**Expiry date:**  
3 years after the packing date.





## WORKSHOP SERVICE RANGE

### ► DRY DEGREASER AND LUBRICATING OIL



Expiry date: Long-lasting products

#### Aluminium paste lubricant



	Conditionnement	Intended use	Use
<b>A19975-67 (per unit)</b>	Spray 500 ml.	Static, anti-friction lubricant for use at high temperatures and high pressures. Very useful for loosening aluminium rims attached to hubs.	(axle assemblies, bearings), in construction (pneumatic equipment, concrete pumps), in automobiles (gaskets of exhaust, housing, cylinder head A07740-12 ).
<b>A19975-12 (box of 12)</b>			

#### Lubricant-degreaser AC-90



	Conditionnement	Intended use	Use
<b>A06332-67 (per unit)</b>	Spray 400 ml.	Cleans, lubricates and ensures moving parts work smoothly. Eliminates noises and grating, facilitates the mounting and removal of mechanical parts	Silicone-free, inert, can be used on all materials. All-in-one diffuser operating in 2 ways: in the extender for wide diffusion or with the extender for diffusion in difficult-to-reach areas.
<b>A06332-12 (box of 12)</b>			

#### Brake cleaner

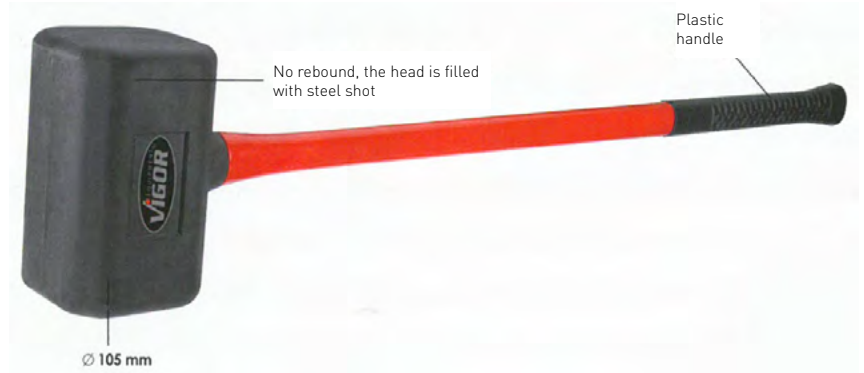


	Conditionnement	Intended use	Use
<b>A07500-67 (per unit)</b>	Spray 600 ml.	Used to completely clean the brake system (discs, drums, trim, supports, springs, etc.). Also used as a degreaser for oils, dirty oils and greases, without leaving residue.	automobiles and two-wheeled vehicles, brakes, chins, locks, mechanical parts, industry, the agricultural sector, etc.
<b>A07500-12 (box of 12)</b>			



## SERVICE TOOLS

### ► Rubber hammer, 5 kg






	<b>V2234</b>
Use	Suitable for utility vehicles

## TREAD DEPTH GAUGES



For personalization, contact us



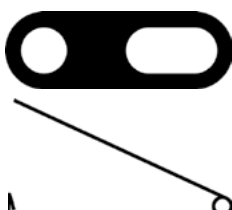
	Description	Graduation (mm)
<b>S-4026-1</b>	Tire tread depth gauge graduated 	0 to 26
<b>S-4464-1</b>	Stainless steel tire tread depth gauge with case 	0 to 50
<b>67077-67</b>	EM stainless steel tire tread depth gauge with case 	0 to 150



## TOOLS FOR VALVES



	Description	Cdmt
<b>S-4392-2</b>	Standard car and truck valve cap and core screwdriver tool (without skirt)	Per 10
<b>S-4049-1</b> <b>S-4049-2</b>	Standard car and truck valve cap and core screwdriver tool (with skirt)	Per unit Per 10
<b>65028-68</b>	Car and truck valve cap and core screwdriver tool (without skirt)	Per 10
<b>65290-67</b>	Car and truck valve cap and core screwdriver tool (with skirt)	Per unit
<b>T66690</b> <b>T66690-10</b>	Standard valve core screwdriver tool with pre-set torque 0.40 N.m.	Per unit Per 10
<b>S-4259-1</b>	Core screwdriver and valve repair tool for repairing interior and exterior threads and removing broken cores	Per unit
<b>R-0059-2</b>	Core screwdriver tool also for performing minor repairs on the interior threads of car and truck valve mouths	Per 10
<b>S-4282-1</b>	Universal core screwdriver	Per unit
<b>R-0769-1</b>	OTR tool for repair of internal and external threading of valve connectors	Per unit
<b>R-1255-1</b>	Car and truck valve cap and core screwdriver tool	Per unit
<b>R-1469-1</b>	Valve core and cap screwdriver for earthmovers	Per unit
<b>41-466</b>	Valve removing tool ("DAUJY" type)	Per unit






























	Description	Quantity per pack	Use
<b>S-4723-2</b>	"FEINE" plate	20	
<b>S-4724-2</b>	"FEIMA" needle	20	



# SERVICE TOOLS



## ▶ LEVERS

P/N. Michelin range	Description	Hose (cm)	Weight (kg)	Use
 <b>R-0426-1 FACE</b>	Lever for tubeless farm vehicle and truck tires on drop-centre rims (small tires) 	53	1	
 <b>R-1289-1 FORCE</b>	Lever for tubeless farm vehicle and truck tires on drop-centre rims (large section) 	75	1.5	
 <b>R-0427-1 FIACRE</b>	Lever for all truck tires with tube or tubeless on flat rims 	45	1.2	
 <b>R-0428-1 FIFRE</b>	Lever for all truck tires with tube or tubeless on flat rims 	41.5	0.95	
 <b>R-1060-1 HALTE</b>	Lever for tubeless truck tires mounted on 15" drop-centre rims 	80	1.7	
 <b>R-0858-1 SAYAM</b>	Lever for EM tires 	95	2.7	
 <b>R-1194-1 HYOCA</b>	Lever for lug base (double X) and EM tires on drop-centre rims 	93.5	3.1	
 <b>R-1195-1 HYUDE</b>	Lever for double X logging tires and OTR tires on drop-centre rims 	99	2.9	
 <b>R-1230-1 FAGUS</b>	Bead remover tool 	139	11.5	

► MISCELLANEOUS LEVERS



	Description	Hose (cm)	Weight (kg)
<b>66815-67</b>	Tire bead wire horn with soft head	30	1.9
<b>65485-67</b>	Truck 4-way lug wrench 24-27-33 mm - 3/4" Male (*)	70	4.9
<b>65804-67</b>	Plastic truck bead block		
<b>65803-67</b>	Bead holder in chrome-plated steel with alloy rim protector for trucks, farm vehicles		1.8

**WHEEL TIGHTENING TORQUE WRENCHES**

► TORQUE WRENCHES

- Secure handle locking
- Safety: tactile (short stroke triggering) and audible (click)
- Quick and safe adjustment of the desired value by turning the handle
- User-friendly reversible ratchet
- Integrated jack lever reducing accident and fault risks

- We recommend annual calibration.
- Follow the user instructions



	<b>65241-67</b>	<b>61319-67</b>
Description	Car (square 1/2") Ratchet system Audible click Locking of torque adjustment jack Guaranteed precision of ± 2% of the reading on the scale (sold in cardboard box)	Can be separated into 3 parts with unlocking tool Indication accuracy: ± 4% of the value read on the scale (in the direction of tightening). Window for visual check of locking
Nut (N.m.)	300 to 800	800 to 2000
Weight (kg)	7.4	18
Length (mm)	1280	3033

## TOOLS FOR PERSONAL PROTECTION

Recommended for buffing and skiving.

### ► SAFETY GLASSES



60306-67	60307-67	66084-67
High-protection glasses, adjustable arms with scratch-proofing, single screen with side protectors.	Safety overglasses with wide field of vision, lateral reflection-proof arms, ideal for corrective glasses.	Frame with monoblock panoramic screen in mist-proof and scratch-proof polycarbonate. Its front protection integrated with the screen ensures optimum coverage of the face without obstructing the field of vision. Rounded arms. 100% UV filtration. Come with nylon string. Standard: EN 166.

### ► SAFETY GLOVES



**4.3.4.2**

Dexterity: 5  
Category: II

61350-67	66082-67	66083-67
Cut-resistant sleeve ARACUT SLEEVE II, one size fits all.	Tear-proof repair gloves, size 9	Tear-proof repair gloves, size 10
Knit sleeve with 2-ply Kevlar®, thumb hole. Leather reinforcement on forearm L. = 36 cm	Dyneema®/ Lycra seamless knit®/ grey printed polyester, induction polyurethane on palm and fingertips. Aerated back. Elastic sleeves. Colours: printed, induction grey. Length: 25 cm	





► **PORTABLE LAMP**

**V2316**

Bendable 120°  
Rechargeable battery 3.6 V  
Battery life 3.5 - 4 hrs  
5 LED = 300 lux at a distance of 60 cm  
18 LED = 800 lux at a distance of 60 cm  
Weight approx. 200 g  
IP30 protection



► **3M VERSAFLO**



61321-67	61349-67	61348-67	61351-67
Complete 3M VERSAFLO TR315E+ kit recommended for powered-air respiratory protection against dust.	Replacement filter for 61321-67	Dust mask FFP2 S Light grey protective head covering T M/L	High-capacity 10- to 12-hr battery for Versaflo TR-300.
Includes filtration unit, particulate filter, pre-filter, battery (10- to 12-hr battery life), charger, hose and flowrate indicator			



### **MOUNTING AND DISMOUNTING OF EARTHMOVER TIRES**

All tools for mounting and dismounting of earthmover tires, in a workshop or on site.

- Installation and commissioning of complete tire workshops up to 63"
  - Bead breakers for wheels in 1.3 and 5 parts
- Tooling for the installation of seals.  
Jacks, lifting bags and accessories.

### **TECHNICAL SUPPORT AND TRAINING**

Our TRAINING CENTRE was established to provide our clients with the skills required to use the product line produced by Schrader S.A.S. for the assembly and disassembly of agricultural, HGV and OTR tires, using 1, 3 and 5 piece wheels. To help with the disassembly, Schrader S.A.S. offers a wide range of tools dedicated to different tasks in accordance with safety guidelines and rules.

## EARTHMOVER EQUIPMENT



• Introduction to wheel removal, safety precautions .....	166
• Technical support and training.....	167
• OTR-TPMS: direct pressure sensor system.....	168 - 169
• Lifting airbags.....	170 - 171
• Jacks .....	172
• Air hydraulic and manual pumps.....	173
• Wedging .....	174
• Distributors, hoses and hydraulic oil.....	175
• Hydraulic connections .....	176 - 179
• Tools for 1-piece rims:	
. Bead-breakers: MINI-KOUSMA, COMPACT .....	180
. Bead-breakers: US TYPE, MANUAL.....	181
• Tools for 3-piece rims:	
. Bead-breakers: PASCHRA, KOUSMA .....	182 - 183
. Bead-breakers: MAXI-KOUSMA, TYPE US.....	184
• Tools for 5-piece rims:	
. Jacks: BIGMA, SMALLMA.....	185
. Jacks: SHUTTLE-T, MAGMA, SMALL, BIG.....	186 - 187
. Jacks: SAYMA, POUSSMA .....	188
• OTR tire tools and wedges.....	189
• BARJUKY2® dismounting set.....	190 - 191
• FM dismounting set.....	192
• AE service set .....	193
• Seals.....	194
• Tool guide.....	196 - 197

# INTRODUCTION TO WHEEL REMOVAL

## 1, 3 and 5-piece



In the case of earthmovers, for punctures or tyre changing, in most cases, the wheels are not removed. The tires are removed directly from the rims. There are different types of rims, which often take a long time to dismount and are very heavy, making them difficult to handle.



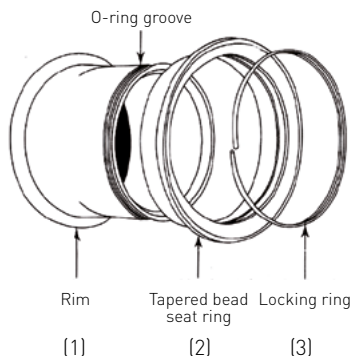
There are three main types of wheel, which often take a long time to dismount and are very heavy, making them difficult to handle.

### WHEEL TYPES

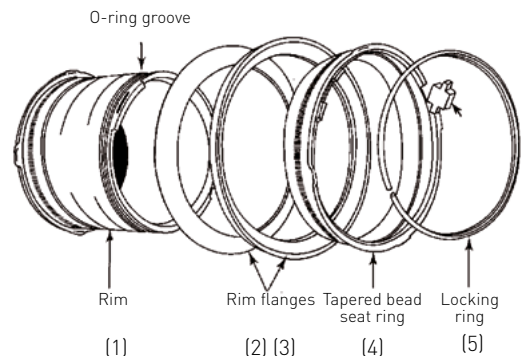
- Single-piece hollow based wheels
- Three-piece wheels
- Five-piece wheels



1-piece rim  
(single piece, drop-centre)



Different elements of a 3-piece rim.



Different elements of a 5-piece rim.

### SAFETY PRECAUTIONS FOR ALL TYPES OF ASSEMBLY

- Operators must wear protective clothes:



- helmet, glasses, gloves, safety shoes, ear muffs.
  - The vehicle's engine must be turned off. Make sure the locking rod is in position (hinged vehicles).
  - Choose the appropriate lifting material considering the type and weight of the vehicle. Always fix the lifted vehicle with a prop. Always chock a lifted vehicle.
  - Maintenance of metal parts should not be done manually.
  - Work in pairs and with lifting equipment to guarantee safety.
  - Tires must always be entirely deflated before any operation.
- In the case of working on twin wheels, both tires must be deflated to prevent any material

falling which might be stuck between the tires. Make sure that all parts of the rim are in good shape and are compatible with each other.

- During the operation, the operator must check the state of the rim and tire to make sure that no part needs to be scrapped (ex. cracks).
- A tire should not be reassembled until wheel, rim, rings or flanges have been properly cleaned and greased (neither the "O" ring groove nor the flange groove must be greased).



**NEVER STAY CLOSE TO A TOOL WHILE IT IS IN USE**

### CHOICE OF DISMANTLING TOOLS

- With 1 or 3-piece rims, a beadbreaker is used. This tool will grip the rim or the wheel and push the bead wire.

- In the case of 5-piece rims, ringbreakers are used to grip the notches of the conical rings.
- In some cases, Schrader S.A.S. has developed a special tool range.
- The tools are used with 700 bar air hydraulic or manual pumps. Boxes and tools are available from SCHRADER S.A.S for all possible requirements. These have been extensively tested by a wide range of manufacturers for many years and have proved their reliability throughout the world. Tire specialists should select the most suitable toolbox or tool for their project requirements and in accordance with the machinery used.

Follow the tool's user instructions.

## TECHNICAL SUPPORT AND TRAINING



**Formation in workshop  
or on fields.**

Our TRAINING CENTRE was established to provide our customers with the necessary skills in the correct use of Schrader Pacific Tire Hardware Solutions products.

- for the mounting and removal of 1, 3 and 5-piece truck, agricultural and earthmover tires.
- in the installation and use of the "OTR-TPMS" system for monitoring the pressure and temperature of earthmover tires.

Our training centre is approved for occupational training.

. Declaration registered under No. 43 25 01928 25 with the Prefect of the Franche-Comté Region.



### Technical Course: **GENERAL KNOWLEDGE ON EARTHMOVERS & MOUNTING/DISMOUNTING OF EARTHMOVER TIRES on 1, 3 and 5-piece rims**

#### Staff aimed at:

Anyone employed in a company in a position requiring in-depth knowledge of how to mount and dismounting of earthmover tires.

To enrol,  
contact our sales team.



#### Aims:

- General knowledge of the vehicle
- Detailed knowledge of tire mounting, dismounting and handling
- Practical training on the maintenance and mounting and dismounting of earthmover tires
- Safety rules
- Simulations at our Schrader Pacific Tire Hardware Solutions training centres





# KIT OTR TMS

## DIRECT PRESSURE SENSOR SYSTEM

- Designed for site machinery and port vehicles.
- Measures and displays tire temperature and pressure while driving.
- Increases tire life and improves tire asset monitoring.

- ✔ Increases tire life.
- ✔ Improves safety.
- ✔ Reduces fuel consumption.
- ✔ Reduces maintenance costs by improving reactivity.
- ✔ Provides technical monitoring of tire casings for retreading purposes.
- ✔ Supplies pressure and temperature data to tire monitoring software



**Robust**

TMS pressure sensors with battery placed on the valve outside the tire transmit pressure and temperature data to a TMS receiver installed in the vehicle, which reads the information.



**Accurate**

Connect the TMS display. This provides the pressure level and issues a warning if the level is too low. The system can be configured for 6 tires and data is provided in real time. The receiver can also be connected directly to the vehicle network.



**Reliable**

The components of the system are programmed and issue a warning upon reaching thresholds via the TMS manager, which is a Windows application. The data recorded can also be downloaded or viewed in real time.

## General description of the product



TMS installed on a Caterpillar worksite vehicle with 6 wheels.

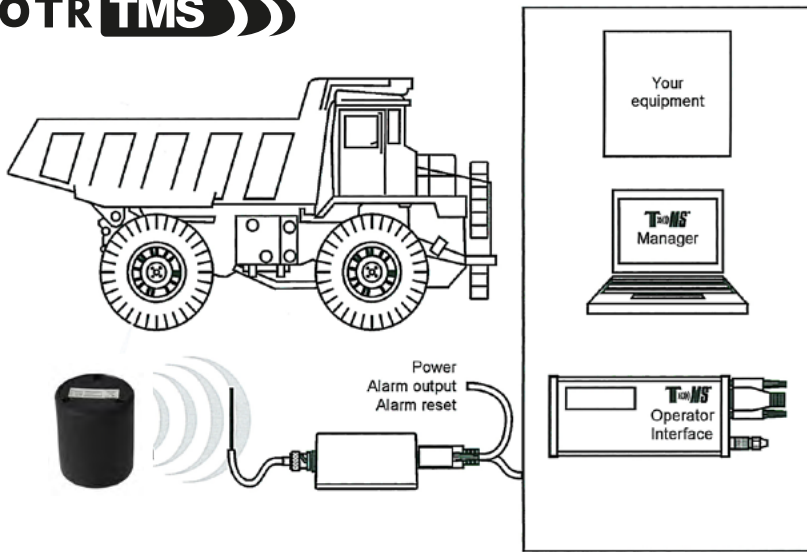


The TMS display is installed and operational in the cabin.



The sensors are screwed onto the valve outside the tire.

**OTR TMS**



The TMS (Tire Monitor System) can reduce vehicle maintenance costs by warning drivers and worksite foremen of improper tire pressure levels. Improper tire pressure can accelerate tire wear and reduce fuel efficiency or cause a puncture.



**Contents of the OTR-TMS Kit**

**OTR-TMS 65987-67**

Contents of the OTR-TMS Kit	OTR-TMS 65987-67
External TMS sensors	6
T 6 fittings	6
TMS11 receiver	1
TMS27 display	1
BNC antennas (8 m, 16 m)	2
Harness cables (3 m)	1
Installation instructions	1



# LIFTING AIRBAGS



## ► PNEUMATIC LIFTING AIRBAGS

- Place a plate under the airbag.



	66531-67	66532-67	66533-67	66534-67	66535-67
Model	CLT3	CLT24	CLT30	CLT43	CLT65
Lifting capacity (T)	3	24	30	43	65
L. x W (cm)	20 x 20	56 x 56	62 x 62	75 x 75	92 x 92
Max stroke (mm)	115	315	345	410	500
Net weight (kg)	1	9	10	15	22
Recommended plate	-	65978-67	65978-67	65979-67	65979-67
stroke	Lifting force in tons at 8 bar				
28 mm	3	24	30	43	65
50 mm	1.4	17.5	24	33	56
100 mm	0.7	11.5	18	25.5	44
150 mm	0	7.5	12.5	19	35
200 mm		3.5	7	13	26
250 mm		1	2.5	7	16.5
300 mm		0.1	1	3.5	10
350 mm		0	0	1	5.5
400 mm				0	3
450 mm					1.5
500 mm					0

- The pneumatic lifting airbags are chiefly used for very low machines where there is not enough space for a jack. They are used also to facilitate the lifting of earthmover vehicles in site operations.
  - Non-slip surface for safe stacking of airbags.
  - Easy location of the central point, facilitating positioning under load.
    - Max operating pressure: 8 bar.
  - Note that the bigger the airbag gets, the less lifting power it has.
    - Other possible airbags: Contact us.

## ► BOXES AND TUBES



- Lifting recommended with braked wheel
- Avoid contact with hydrocarbons
- Fix the lifted vehicle with a prop



	66538-67	66539-67	66536-67	66537-67
	Quick-connection feeder hoses		Regulating cabinet	
Graduation			0 to 10 bar 0 to 140 psi	0 to 10 bar 0 to 140 psi
Characteristics	L. 10 m, red	L. 10 m, blue	1 output	2 outputs





## BLOCKING

### ▶ OAK WEDGES



	67001-67	67002-67
Description	Set of 15 oak wedges with handles	Set of 8 oak wedges with handles
Intended use	Earth movers	Farm machinery
Detail	3 wedges L. 75 x l. 26 x th. 15 cm 6 wedges L. 50 x l. 26 x th. 15 cm 6 wedges L. 50 x l. 26 x th. 10 cm	6 wedges L. 50 x l. 26 x th. 15 cm 2 wedges L. 50 x l. 26 x th. 10 cm
Weight total (kg)	approx 300	approx 150

### ▶ PLASTIC WEDGES

- Unbreakable even under stress from the most severe loads.
- Waterproof, imperishable, stay light whatever the weather.
  - Very long life.
  - Easy maintenance.
  - Gripping handles.
- Easy cleaning under high-pressure jet.
  - Resistant to most chemicals.
  - Can be used from -100 to +80°C.
- 100% recycled and recyclable: environmentally friendly.
  - Slip-proof treatment.



	65917-67	65918-67	65919-67	65978-67	65979-67
Dimensions (mm)	495 x 245 x 100	745 x 245 x 100	600 x 400 x 25	Distribution plate, 700 x 700 for lifting pad	Distribution plate, 1000 x 1,000 for lifting pad
Weight (Kg)	11.7	17.5	5	7	10

	65967-67	65968-67	65969-67
Set of blocks	8 blocks (6 x 65917-67 + 2 x 65918-67)	8 blocks (7 x 65917-67 + 1 x 65919-67)	10 blocks (5 x 65917-67 + 4 x 65918-67 + 1 x 65919-67)

### ▶ POLYPROPYLENE WEDGE



	61269-67
Dimensions (mm)	385 x 155 x 180
Yellow polypropylene	

# PUMPS



- Use with Air driven hydraulic pumps 700 bar.
- Suffix 67: pumps equipped with quick connect coupler 67069-67.
- Suffix 99: pumps equipped with screw connection 67067-67.



	<b>67080-67</b> <b>67080-99</b>	<b>67082-67</b> <b>67082-99</b>	<b>65867-67</b> <b>65867-99</b>	<b>67085-67</b> <b>67085-99</b>	<b>67087-67</b> <b>67087-99</b>	<b>67089-67</b>
Model	Aluminium jack LUKAS 27	Aluminium jack LUKAS 66	Aluminium jack LUKAS 107	Steel jack VERAC 23	Steel jack VERAC 54	Load distribution base 40 x 25 cm
Min height (mm)	280	350	370	270	270	
Stroke (mm)	150	200	200	150	150	
Force at 700 bars (T)	27	66	107	23	54	
Weight (kg)	6.1	15	26	11	25	-
Required pump	65431	65441	66809	65431	65441	-

Sold without eyelet - Locking system with mechanical rod.  
Transport base for over 150 T



**65798-67**

Description	Set of 3 steel risers for lifting jacks up to a max of 55 T Heights 75 mm, 150 mm, 230 mm To be used separately or stacked/interlocked to move the jack as close as possible to the engine
-------------	---





## PUMPS

### ► HYDRAULIC PUMPS

- Air driven hydraulic pumps 700 bar.
- Pumps delivered with nipple and particle filter mounted.
  - Maximum air inlet pressure in the pump: 7 bar.
  - Use a filtering nipple 65491-67 (see page 106).
- Use a Filter-Regulator-Lubricator on the compressor outlet.
  - Lubricant for pneumatic tools: see page 226.

- Suffix 67: pumps equipped with quick connect coupler 67069-67.
- Suffix 99: pumps equipped with screw connection 67067-67.



It is recommended to use the extended option + pre-set line regulator ref. 65579-67 to limit pressure and soiling

	(1) 65431-00 (2) 65431-67 (3) 65431-99	(1) 65441-00 (2) 65441-67 (3) 65441-99	(1) 66809-00 (2) 66809-99
	(1) Pump alone (2) and (3) Complete with hose 2.5 m, coupler, cap and air adaptor	(1) Pump alone (2) and (3) Complete with hose 3.6 m, coupler, cap and air adaptor	<b>For hydraulic distributors 66724-67 and 66725-67</b> (1) Pump alone (2) Complete with hose 2.5 m, coupler, cap and air adaptor
Capacity (L.)	1.3	2.5	4
Dimensions (cm)	28 x 13 x 21	31 x 18 x 21	32 x 32 x 21
Net weight of pump alone	9	9.6	13
Net weight of complete pump (kg)	9,9	12.2	13.9



<b>65491-67</b>	Filtering nipple 1/4" Gas BSP
<b>66812-67</b>	Filter for adaptor 65491-67

### ► MANUAL HYDRAULIC PUMPS



	<b>61292-67</b> <b>61292-99</b>
Description	Foot pump with manual control, 1 speed
Tank volume (l)	0.8
Length (mm)	580
Width (mm)	155
Height (mm)	145
Total height (mm)	480
Weight (kg)	8
Pression (bar)	700
Flowrate (cm3 / coup)	2.5

## HANDLING LIFTING



### ► STRAPS AND LIFTING LOOPS

- Straps are used for handling without damaging the beads:  
This is very important for the leaktightness of tubeless products.
- They are also used to lift a tire by the external diameter when it is taken off of the wheel  
(in this case use an 8 m strap for tires with a diameter of 2 m, for example).

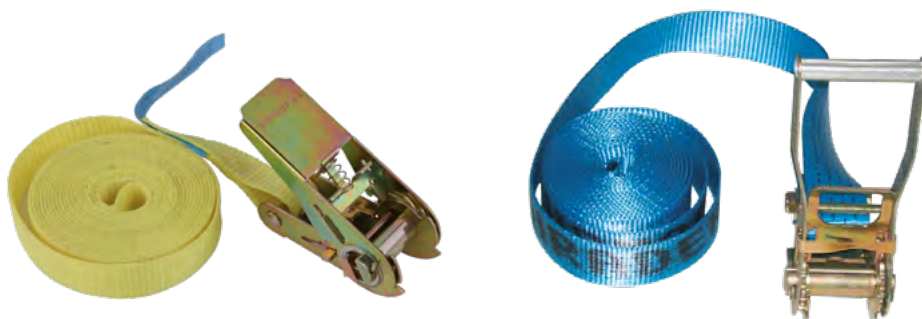


	67126-67	67127-67	67128-67	67131-67	67132-67	67135-67
L. (m)	3	6	8	10	12	Manille
L. (cm)	5	5	5	5	5	
Force (T)	1	1 to 2	1 to 2	2 to 3	2 to 3	2
Colour	Purple	Purple	Purple	Green	Green	-

### ► FLAT CLOSED STRAPS

	65437-67	65438-67
Useful length: (m)	3	2
Width (cm)	5	5
Force (T)	3	3
Colour	Yellow	Yellow

### ► RATCHET STRAPS



	67446-67	67447-67	67448-67	67449-67
Width x length (cm)	Mini sangle 350 x 2.5	300 x 5	400 x 5	500 x 5
Colour	Yellow	Blue	Yellow	Green
Type of tensioner	Mini	Large	Large	Large
Marking (*)	-	SCHRD 3	SCHRD 4	SCHRD 5

(\*) The No. corresponds to the length of the strap in m



## DISTRIBUTORS, 700 BAR HOSES AND HYDRAULIC OIL

- For PHP and PHM pumps.
- Service pressure at 700 bar.
- Bursting pressure et 2800 bar.

### ▶ HYDRAULIC DISTRIBUTORS

Allows for simultaneous use of 1 to 4 jacks



**66724-67**

Hydraulic distributor VIA 3V "Hydro-Max3"  
"Hydro-Max3" for bead-breakers

**66725-67**

Hydraulic distributor VIA 4V  
"Hydro-Max4" for bead-breakers

### ▶ COMPLETE HYDRAULIC HOSES



**65957-67**

**R-1614-1**

**65496-67**

**65932-67**

Length (m)	2.50	3.60	2.50	3.60
Ends	Male 3/8 NPT and G 1/4 quick connect coupler		Male 3/8 NPT and G 3/8 screw-on coupler	
Use	Pump 65431-67	Pump 65441-67	Pump 65431-99	Pump 65441-99

### ▶ HYDRAULIC OIL



**66105-67**

Hydraulic oil Velocite n° 6,  
5-L can.



Expiry date: 5 years  
after the date of manufacture.

# HYDRAULIC CONNECTIONS

## ▶ HYDRAULIC CONNECTIONS



**66884-67**  
700 bar Hydraulic connection F 1/4 - F 1/4

## ▶ 700 BAR HYDRAULIC CONNECTORS



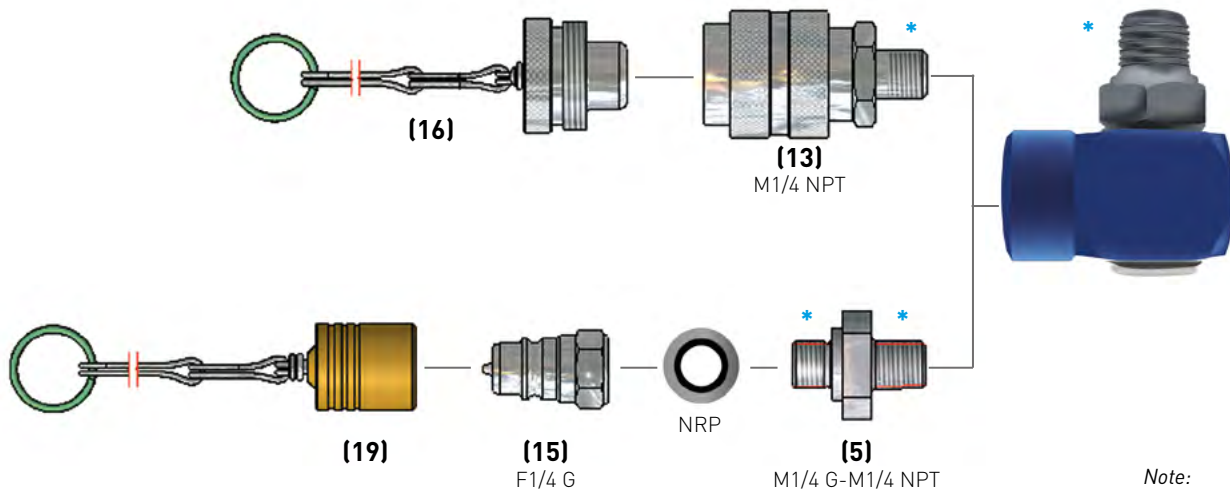
66881-67	66882-67	66883-67
M1/4 NPT-F1/4 NPT for mounting of the swivel fitting directly on the MAGMA, COMPACT and SHUTTLE-T tools	M3/8 NPT-F3/8 NPT for mounting of the swivel fitting directly on an HP pump suffix 99	M3/8 NPT-F 1/4G for mounting of the swivel fitting directly on an HP pump suffix 67

### Pump side

### Tool side

### **66881-67**

M1/4 NPT-F1/4 NPT swivel fitting



\* Assemble using Loctite thread sealant

*Note:*  
During dismantling of the fitting on a tool, clean the impurities from the threads before putting on the swivel fitting.

**Pump side**

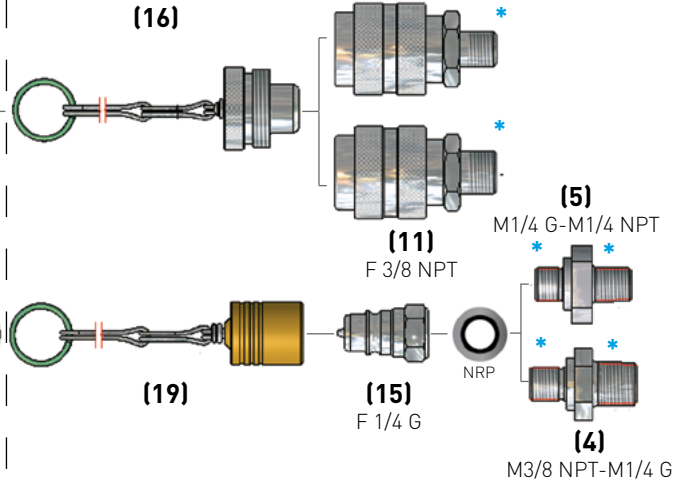
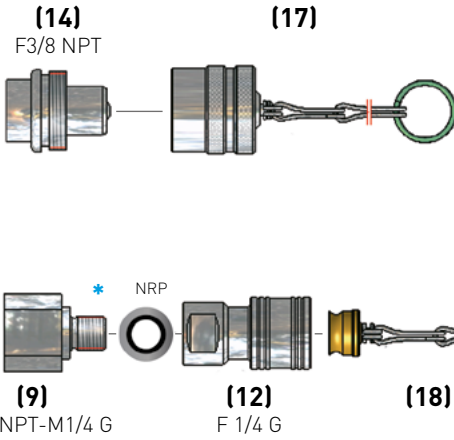
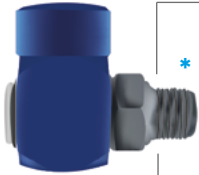
Fittings to be ordered according to the type of pump tube

**Tool side**

Fittings sold with the tool

**66882-67**

M3/8 NPT-F3/8 NPT swivel fitting



\* Assemble using Loctite thread sealant

Note:  
During dismounting of the fitting on a tool, clean the impurities from the threads before putting on the swivel fitting.

**Pump side**

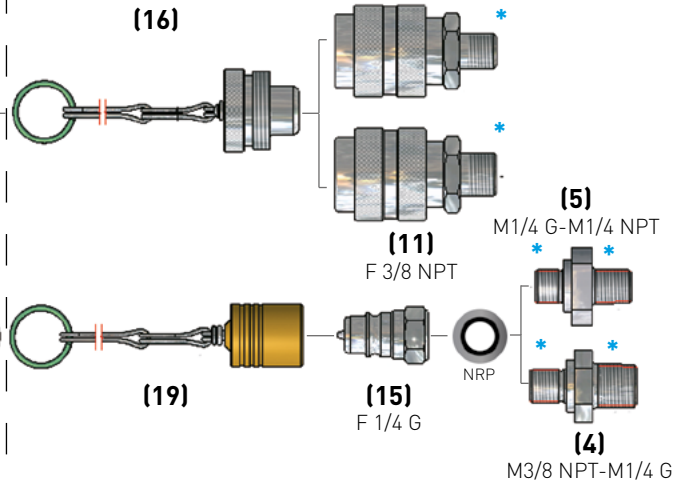
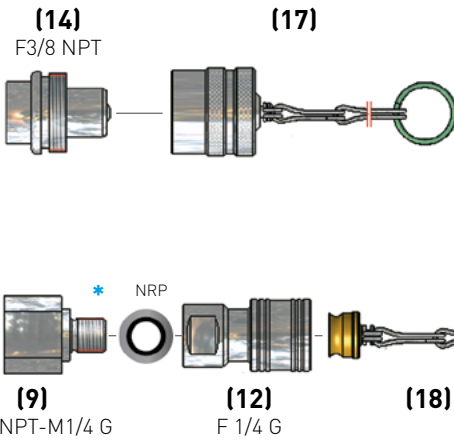
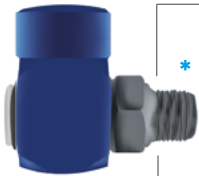
Fittings to be ordered according to the type of pump hose

**Tool side**

Fittings sold with the tool

**66883-67**

M3/8 NPT-F1/4 G swivel fitting



\* Assemble using Loctite thread sealant

Note:  
During dismounting of the fitting on a tool, clean the impurities from the threads before putting on the swivel fitting.

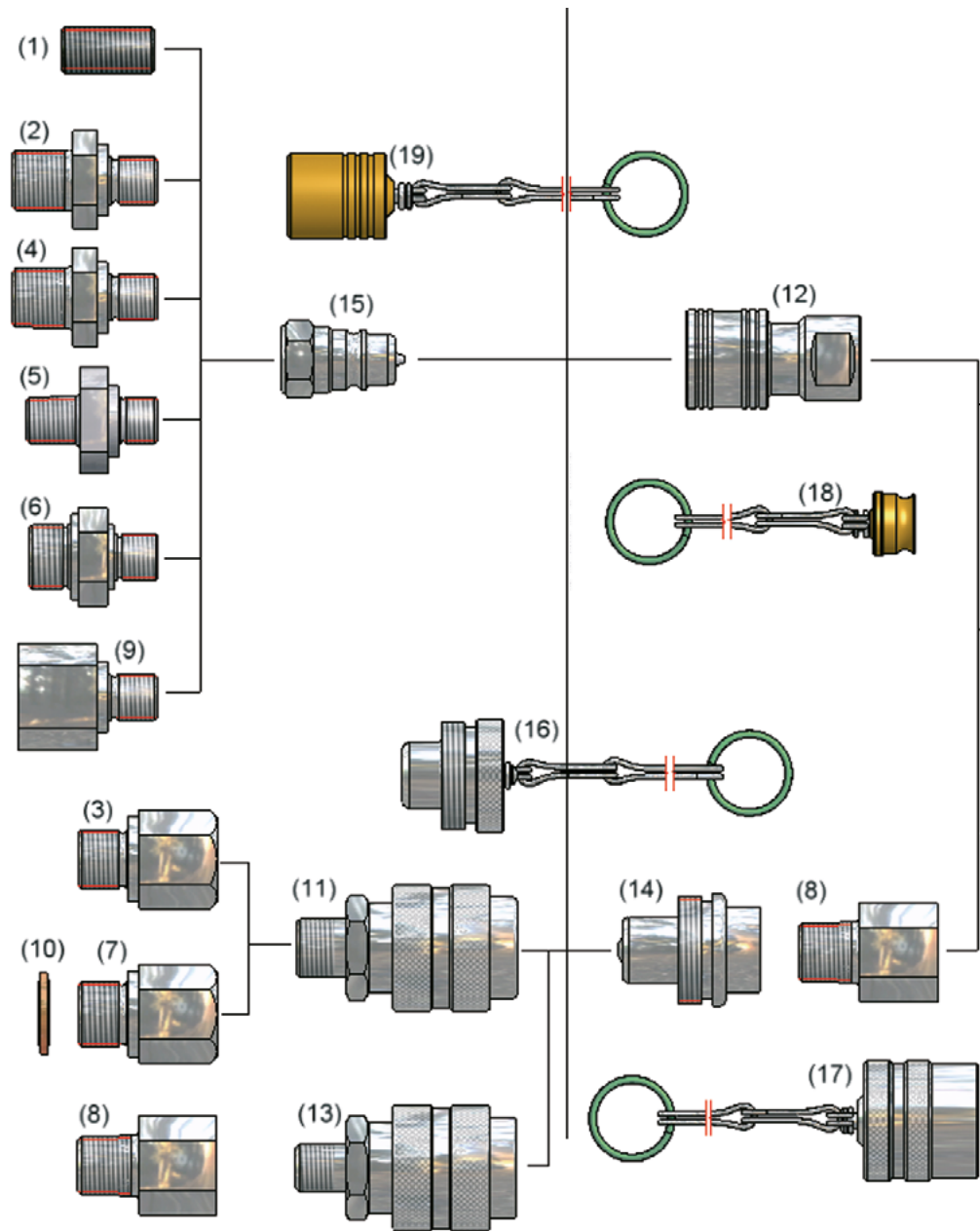
<b>67074-67</b>	<b>67240-67</b>	<b>67241-67</b>	<b>67065-67</b>	<b>67069-67</b>	<b>65296-67</b>	<b>67067-67</b>
(4)	(5)	(9)	(11)	(12)	(13)	(14)
M3/8 NPT - M1/4 G adaptor	M1/4 G - M1/4 NPT fitting	F3/8 NPT - M1/4 G adaptor	700 bar screw-on coupling, F., threading 3/8 NPT	700 bar quick-connect coupling, F., threading 1/4 G	700 bar coupling for screwing on, F., 1/4 NPT	700 bar fitting for screwing on, F., 3/8 NPT
<b>67072-67</b>	<b>67066-67</b>	<b>67068-67</b>	<b>67071-67</b>	<b>67073-67</b>		
(15)	(16)	(17)	(18)	(19)		
700 bar quick-connect fitting, F., 1/4 G	M cap for 67065-67	F cap for 67067-67	M cap for 67069-67	F cap for 67072-67		

# HYDRAULIC CONNECTIONS



## ► 700 BAR HYDRAULIC CONNECTIONS

### Assembly on tools



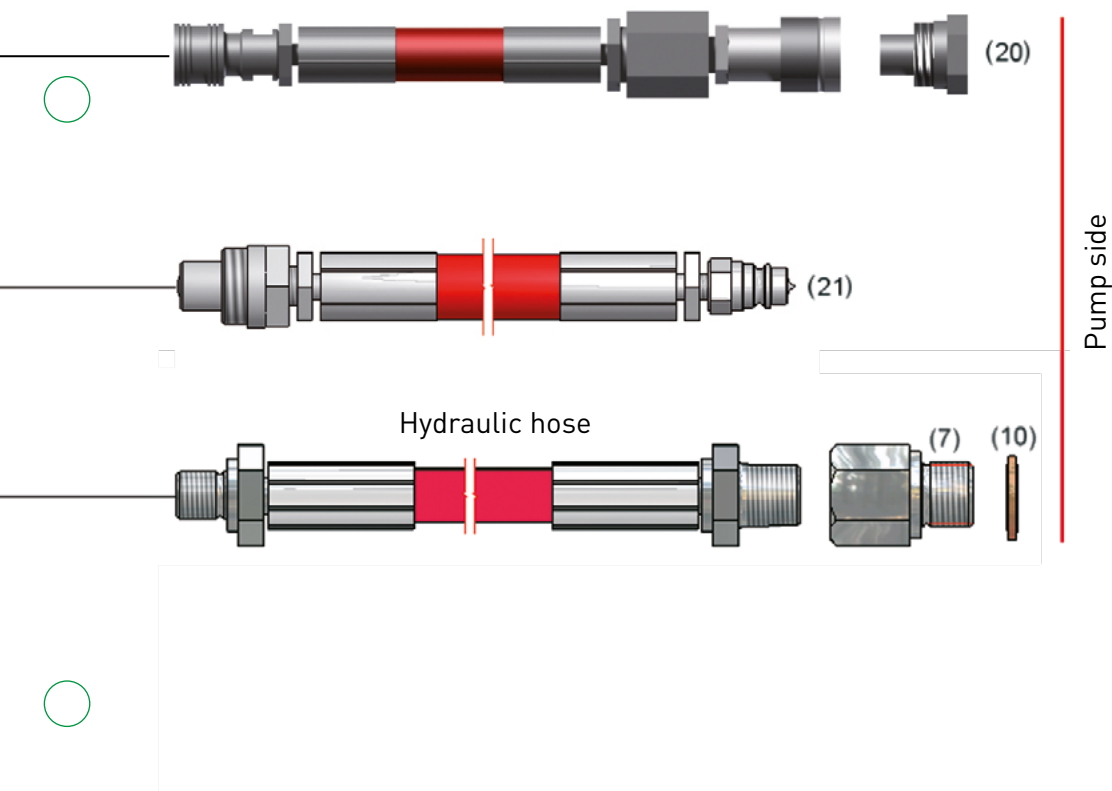
65591-67	65852-67	65853-67	67074-67	67240-67	67075-67	67076-67
(1)	(2)	(3)	(4)	(5)	(6)	(7)
M1/4 G - M1/4 G adaptor	M3/8 G - M1/4 G adaptor	M3/8 G - F3/8 NPT connector	M3/8 NPT - M1/4 G adaptor	M1/4 G - M1/4 NPT connector	M18 x 1.5 - M1/4 G adaptor (gasket 67048-67 ordered separately)	M18 x 1.5 - F3/8 NPT adaptor (seal 67048-67 ordered separately)

67149-67	67241-67	67048-67	67065-67	67069-67	65296-67	67067-67
(8)	(9)	(10)	(11)	(12)	(13)	(14)
M3/8 NPT - F1/4 G connector	F3/8 NPT - M1/4 G adaptor	Copper seal, 18	700 bar screw-on coupling, F., threading 3/8 NPT	700 bar quick-connect coupling, F., threading 1/4 G	700 bar screw-on coupling, F., 1/4 NPT	700 bar screw-on fitting, F., 3/8 NPT



## Assembly on pumps

- The LUKAS, VERAC, PASCHRA, US, BIGMA, SMALLMA, BIG, SMALL, SAYMA, POUSMA, DISMA and LESMA tools, and the pumps, have 3/8" NPT threading.
- The COMPACT, SHUTTLE and SHUTTLE-T tools have 1/4" NPT threading.
- The SCENE, SAYBI, DIUMU have M18 x 1.5 threading: connector to be used with seal 67048-67.



67072-67	67066-67	67068-67	67071-67	67073-67	65992-67	65993-67
[15]	[16]	[17]	[18]	[19]	[20]	[21]
700 bar quick-connect fitting, F., 1/4 G	M cap for 67065-67	F cap for 67067-67	M cap for 67069-67	F cap for 67072-67	Connector adaptor to be screwed on towards the quick-connect fitting	Quick-connect adaptor towards connector to be screwed on

### ► SETS: CONNECTORS + CAPS

67145-67	67146-67	67147-67	67148-67	66821-67
67065 + 67066	67067 + 67068	67069 + 67071	67072 + 67073	67240 + 67072 + 67073

## TOOLS FOR 1-PIECE RIMS



Operators must always wear the correct clothes and the PPE appropriate for each job: helmet, glasses, protective gloves, safety boots and ear protection. We recommend the glasses and gloves presented on page 162.

These tools must be used with a 700 bar manual or air hydraulic pump.

- Never stay close to machine tool when operating.

- Suffix 67: tools equipped with quick connect coupler 67072-67.
- Suffix 99: tools equipped with screw connection 67065-67.

### ► "US" TYPE BEAD-BREAKER



	67030-67 67030-99	67037-67
Intended use	1-piece rim	Earthmover hook only for for transformation for use on 3-piece rims
Net weight (kg)	14.5	
Cylinder stroke (mm)	95	
Power at 700 bar (T.)	9	
Spade length (mm)	35	
Dimensions (cm)	42 x 28 x 12	

### ► MANUAL BEAD-BREAKER

- Do not use with impact wrench.
- Use with a ratchet wherever possible.



	65802-67
Intended use	Farm and industrial vehicle wheels up to 38" with max 14 ply
Net weight (kg)	6.4
Dimensions (cm)	26 x 15 x 11

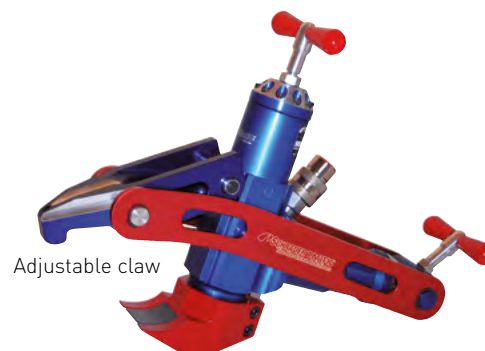


► **"COMPACT" AND "SUPER COMPACT" BEAD BREAKER**



	<b>65071-97</b>	<b>61193-97</b>
Intended use	Tool built in steel and aluminium for high reliability and low weight For dismounting of all types of tires: Jeep, 4x4, light vehicle, truck (rims without anti-puncture edge) and tractor	
Maximum tire dimensions	All rims with flat edges	
Net weight (kg)	4.7	5.5
Cylinder stroke (mm)	40	70
Power at 700 bar (T.)	2.83	4.9
Tight power (T.)	0.76 to 1.78	1.6 to 2.2
Spade length (mm)	35	35
Dimensions (cm)	17 x 17 x 17	22 x 22 x 23

► **"MINI-KOUSMA" BEAD-BREAKER**



	<b>66014-97</b>
Intended use	Tool made of steel and aluminium for high level of reliability and reduced weight For rims with up to Ø 24"
Net weight (kg)	8.7
Cylinder stroke (mm)	100
Power at 700 bar (T.)	2.83
Tight power (T.)	2.12 to 4.95
Spade length (mm)	43
Dimensions (cm)	50 x 11 x 32



## TOOLS FOR 3-PIECE RIMS



Operators must always wear the correct clothes and the PPE appropriate for each job: helmet, glasses, protective gloves, safety boots and ear protection. We recommend the glasses and gloves presented on page 162.

### ► "PASCHRA" BEAD-BREAKER



	65187-Q7 65187-Q9	65267-Q7 65267-Q9
Intended use	3-piece rims of 23.5 R 25 up to 29.5 R 29	Complete box: PASCHRA + wedges + keys
Net weight (kg)	9.6	9.6
Cylinder stroke (mm)	150	-
Power at 700 bar (T.)	11	-
Tight power (T.)	0.95	-
Spade length (mm)	110	-
Dimensions (cm)	44 x 15 x 15	46 x 32 x 15

### ► "PASCHRA LONG" BEAD BREAKER



	61293-Q7 61293-Q9	65488-67
Intended use	3-piece rims (clamps ordered separately) Suitable for open-centre or closed-centre wheels larger than 3.5"	rod connector + claw + screw for PASCHRA
Net weight (kg)	8.4	
Tightening of fastening screws	Mini: 7 da.N - Maxi: 8 da.N.	
Cylinder stroke (mm)	250	
Power at 700 bar (T.)	11	
Tight power (T.)	0.95	
Spade length (mm)	110	
Dimensions (cm)	44 x 15 x 15	

- These tools must be used with a 700 bar manual or hydropneumatic pump.
  - Never stand behind a tool during use.
- Suffix Q7: tools equipped with quick-connector 67072-67.
- Suffix Q9: tools equipped with screw-on connector 67065-67.
- Suffix 97: tools equipped with a screw-on connector installed on the tool and quick connector. Sold separately in box.

► **SKYMA BEAD BREAKER**



Adjustable claw

66995-97	
Intended use	Tool built in steel and aluminium for high reliability and low weight Rims up to Ø 24" specially designed for crane tires
Net weight (kg)	8.9 (without connector)
Cylinder stroke (mm)	70
Power at 700 bar (T.)	2,830
Tight power (T.)	2,120 to 4,950
Spade length (mm)	43
Dimensions (cm)	50 x 11 x 32

► **"KOUSMA" BEAD-BREAKER**



Adjustable claw



66015-97		66049-67
Intended use	Tool built in steel and aluminium for high reliability and low weight Rims up to Ø 29" Max hooking height 3.5"	Spare flat hook option for 66015-97
Net weight (kg)	13.2	
Cylinder stroke (mm)	114	
Power at 700 bar (T.)	4,536	
Tight power (T.)	3.4 to 7.93	
Spade length (mm)	75	
Dimensions (cm)	57 x 11 x 35	

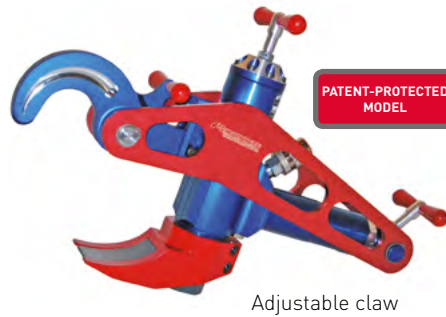
## TOOLS FOR 3-PIECE RIMS

HQ  
★★★★



Operators must always wear the correct clothes and the PPE appropriate for each job: helmet, glasses, protective gloves, safety boots and ear protection. We recommend the glasses and gloves presented on page 162.

### ► "MAXI-KOUSMA" BEAD-BREAKER



	66016-97	66049-67
Intended use	Tool built in steel and aluminium for high reliability and low weight High-flange rims up to Ø 29". At a maximum flange height 3.5"	
Net weight (kg)	13.5	Spare flat hook option for 66016-97
Cylinder stroke (mm)	114	
Power at 700 bar (T.)	4,536	
Tight power (T.)	3.4 to 7.93	
Spade length (mm)	100	
Dimensions (cm)	57 x 11 x 36	

### ► US-TYPE BEAD BREAKER



	67036-67 67036-99	67037-67
Intended use	Agricultural, logging, public works and construction (OTR) machine tires, 3-piece rims	
Net weight (kg)	17	Hook for OTR tires only for 67036-67
Bead breaker stroke (mm)	95	
Power at 700 bar (T.)	9	
Spade length (mm)	35	
Dimensions (cm)	42 x 32 x 15	

## TOOLS FOR 5-PIECE RIMS

- These tools must be used with a 700 bar manual or air hydraulic pump.
- Never stay close to machine tool when operating.
- Suffix 67: tools equipped with quick connect coupler 67072-67.
- Suffix 99: tools equipped with screw connection 67065-67.

### ► "MAXI-KOUSMA" BEAD-BREAKER



	61261-97	66049-67
Intended use	Tool built in steel and aluminium for high reliability and low weight. For 3- to 5-piece earth-moving vehicle tires up to 35" without eyelets and without groove	
Net weight (kg)	15.5	Flat hook option for 66016-97 and 61261-97
Cylinder stroke (mm)	70	
Power at 700 bar (T.)	12.6	
Tight power (T.)	6.2 to 9.7	
Spade length (mm)	130	
Dimensions (cm)	57 x 11 x 36	

### ► "BIGMA" RINGBREAKER



	67018-67 67018-99	67025-67 67025-99	67023-67	67024-67
Intended use	Spring return	Complete box contents: BIGMA ringbreaker + 2 hooks, 1 support, 4 ring wedges 67029-67, BTR key of 14	Standard hook	Narrow hook
Cylinder stroke (mm)	90			
Power at 700 bar (T.)	13.7			
Net weight (kg)	7.9	14		
Dimensions (cm)	41 X 15 X 10	39 x 17 x 12		

## TOOLS FOR 5-PIECE RIMS

HQ  
★★★★



Operators must always wear the correct clothes and the PPE appropriate for each job: helmet, glasses, protective gloves, safety boots and ear protection. We recommend the glasses and gloves presented on page 162.

- Jacks easy to handle, designed by Schrader S.A.S., can be used on the interior and exterior of the rim.
  - Turning parts, very light with high-resistance hooks.
  - High-power tools.

### ► "MAGMA" RINGBREAKER 27T



61201-97	
Intended use	Tool built in steel and aluminium for high reliability and low weight. For all types of rims with good anchoring on 2 sides, from 35" to 63" Large and medium rims of earth-moving vehicle tires and 6 parts, titan SVM-OVM 63"
Net weight (kg)	17.5
Cylinder stroke (mm)	150
Power at 700 bar (T.)	27
Tight power (T.)	6.2 to 9.7
Dimensions (cm)	19x19x45

### ► "MAGMA 2" RINGBREAKER



360° rotating coupler

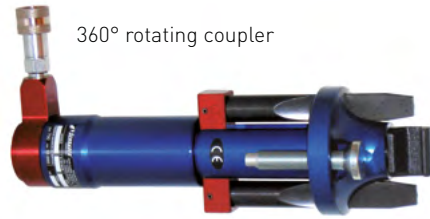


	61358-97	66851-67	61206-67	61207-67	61203-67
Intended use	Tool built in steel and aluminium for high reliability and low weight Recommended for inner side and outer side of the rim.	Spare claw	Lifting collar for Magma & Plasma 20T	Lifting collar for Maxi-Magma & Maxi-Plasma 27T	Holder for MAGMA / MAXI MAGMA
Cylinder stroke (mm)	150				
Power at 700 bar (T.)	20				
Net weight (kg)	12				
Dimensions (cm)	17 x 14 x 41				



- These tools must be used with a 700 bar manual or hydropneumatic pump.
  - Never stand behind a tool during use.
- Suffix 67: tools equipped with quick-connector 67072-67.
- Suffix 99: tools equipped with screw-on connector 67065-67.
- Suffix 97: tools equipped with a screw-on connector installed on the tool and quick connector, sold separately in box.

► **"SHUTTLE-T" RINGBREAKER**



360° rotating coupler



	66017-97	60396-67	60398-67	65605-67
Intended use	Tool built in steel and aluminium for high reliability and low weight Recommended for inner side and outer side of the rim. Jack delivered with (see picture): <ul style="list-style-type: none"> <li>• 1 short hook mounted (60398-67)</li> <li>• 2 extension wedges (60396-67)                             <ul style="list-style-type: none"> <li>• 1 long hook (65605-67)</li> <li>• 1 milled short hook</li> </ul> </li> </ul>	Spare extension wedge	Spare short hook, L = 40 mm	Spare long hook, L = 65 mm
Cylinder stroke (mm)	80			
Power at 700 bar (T.)	13.7			
Net weight (kg)	6.8			
Dimensions (cm)	Ø 13 x 43			

► **RINGBREAKERS**



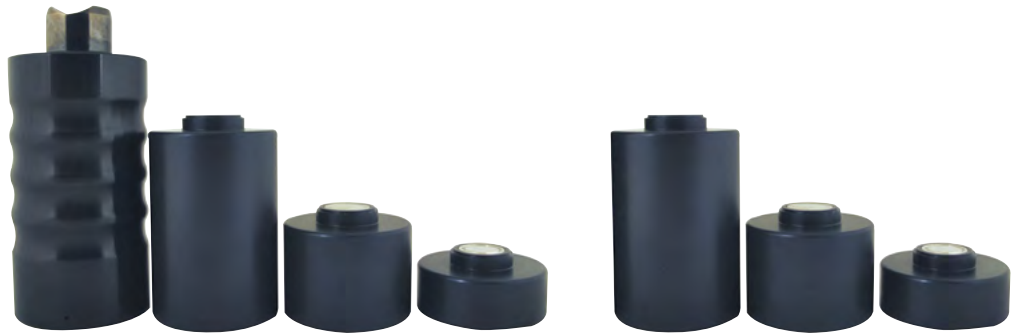
	67012-67 67012-99	67016-67 67016-99	67017-67
	SMALL	BIG	
Spring return			
Intended use	Recommended for use on interior side		Hook for "SMALL" and "BIG" bead breakers
Cylinder stroke (mm)	50	95	
Power at 700 bar (T.)	12	12	
Net weight (kg)	10	13.4	
Dimensions (cm)	35 X 11 X 13	44 x 11 x 12	

## TOOLS FOR 5-PIECE RIMS



Operators must always wear the correct clothes and the PPE appropriate for each job: helmet, glasses, protective gloves, safety boots and ear protection. We recommend the glasses and gloves presented on page 162.

### ► "SAYMA" RINGBREAKER



	66985-Q7 66985-Q9	66986-67
Intended use	Sayma-2 with supplied wedges	Set of 3 magnetic extensions for SAYMA2 bead breaker Extension No.1: 100 mm // 1 kg Extension No.2: 50 mm // 0.5 kg Extension No.3: 25 mm // 0.3 kg
Cylinder stroke (mm)	50	
Power at 700 bar (T.)	12	
Net weight (kg)	2.5 complete	
Dimensions (cm)	14 x 16 x Ø 8	

### ► "TALLMA" MAGNETIC WEDGES AND BEAD BREAKER



	61297-97
Intended use	TALLMA for 3- to 5-piece rims, magnetic wedges included
Cylinder stroke (mm)	80
Power at 700 bar (T.)	19.8
Net weight (kg)	8.7 complete
Dimensions (cm)	18 x Ø 8

These tools must be used with a 700 bar manual or hydropneumatic pump.

- Never stand behind a tool during use.

- Suffix 67 or Q7: tools equipped with quick-connector 67072-67.
- Suffix 99 or Q9: tools equipped with screw-on connector 67065-67.

► **BLOCKING WEDGES FOR 3-PIECE RIMS**



65195-67	65229-67	61312-67	61313-67
DYICI-type wedge (Order 4 wedges for a complete set)	CIF-type wedge set	Wedge set with minimum thickness of 20 mm	Wedge set min. thickness 40 mm

► **BLOCKING WEDGES FOR 5-PIECE RIMS**



67029-67
Set of 2 blocking wedges for 5-piece rims (Use of nuts prohibited)

► **TOOLS FOR OTR TIRES**

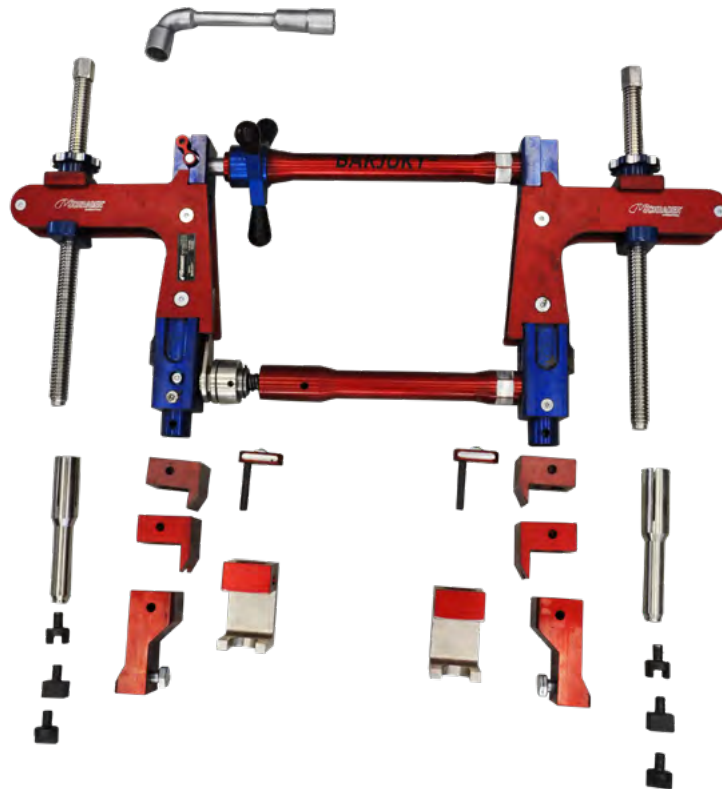


67078-67	67236-67	66085-67
Hammer for OTR tires 2.8 kg	Locking jaw pliers	Straight stainless steel wire brush 0.35, 4 rows, L = 310 mm body made of beech



# BARJUKY 2®

A single tool of 25" and 51"



**Do not use an impact wrench**

## 61362-67

Intended use	<ul style="list-style-type: none"> <li>• The BARJUKY<sup>2</sup> tool is used to position the seal on open-centre or closed-centre wheels of 25" to 51".</li> <li>• On assembly, the operation to place the O-ring seal is easy and safe as the Barjuky<sup>2</sup> pushes the flange and the locking rim. It makes removal of protected flanges easier.             <ul style="list-style-type: none"> <li>• Rigid tool, easy to position and extremely light.</li> <li>• Multi-purpose device on several types of rim:                 <ul style="list-style-type: none"> <li>- Open-centre wheels: it grips on the inside of the wheel.</li> <li>- Closed-centre wheels: grips on the wheel studs or threaded holes.</li> </ul> </li> </ul> </li> </ul> <p>Delivered complete</p>
Weight when equipped, without extensions 51" (kg)	19
Weight when equipped, with extensions 51" (kg)	20
Storage case	Wooden box with rollers 103 x 23 x 67 cm



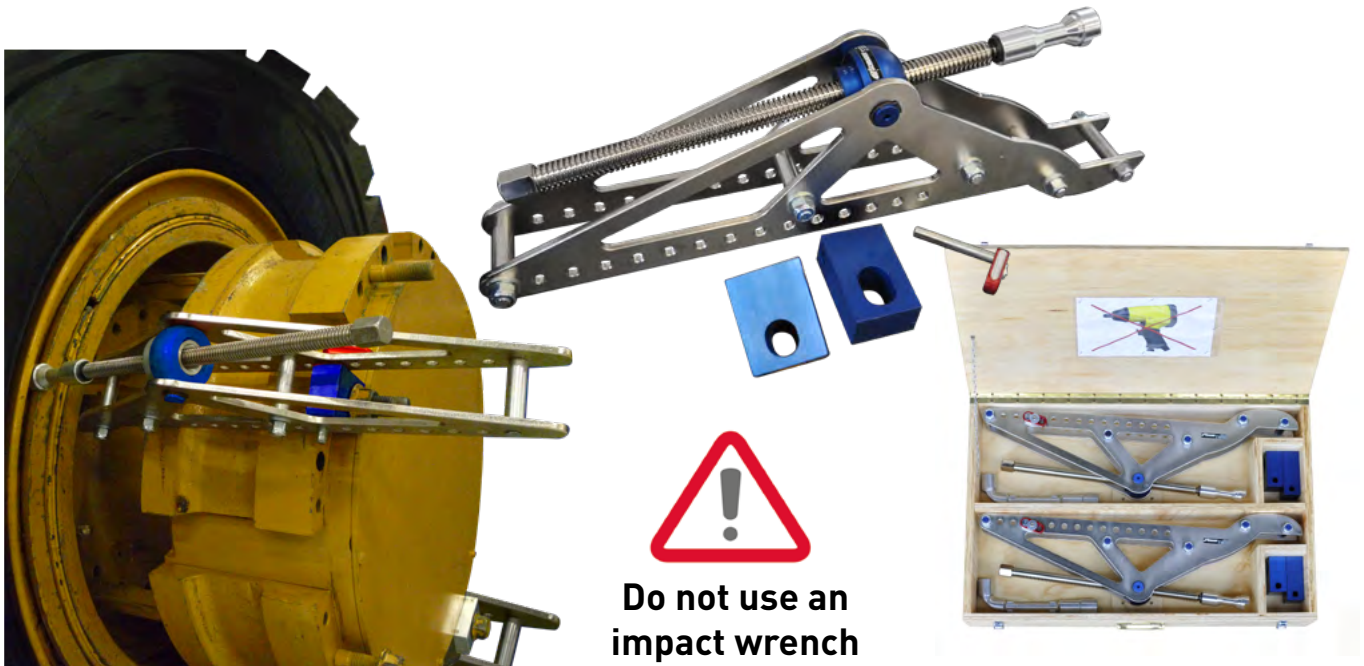
**OPTIONS**



61363-67	61264-67	61365-67	Contact us
Extension Barjuky <sup>2</sup>	Male European extensions	Male Komatsu extensions	Female extensions available on request

**DUALUKY OPTION FOR DUAL WHEELS**

Working in pairs



**Do not use an impact wrench**






	61352-67	61352-72
Intended use	For dual tires from 35" to 49"	
Cylinder stroke (cm)	40	
Weight (kg)	8.5	
Dimensions (cm)	76 x 10 x 24	
Nbr of tool	1 tool	2 tools





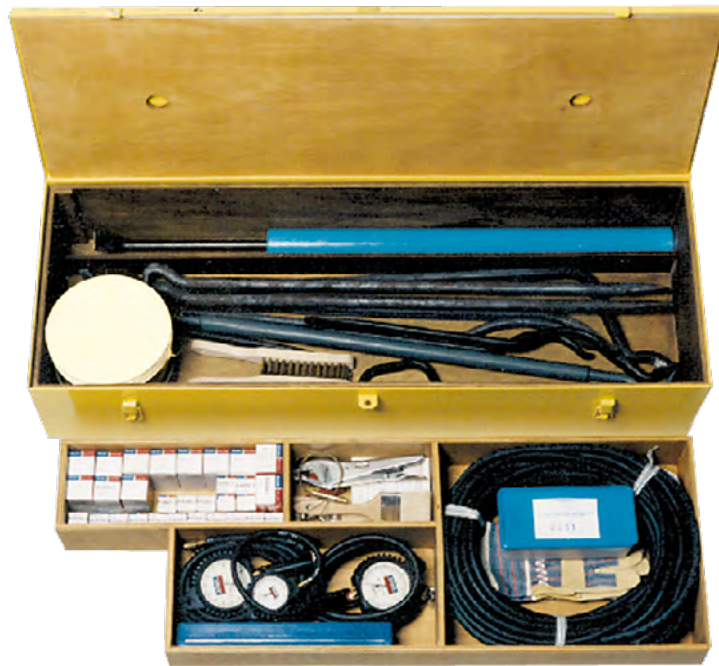
**67099-97**

*Wooden case, dimensions: L. 81.5 x W. 47 x H. 41.5 cm  
 Empty weight: 20.5 kg  
 The products are sold with a mounted screw-on connector.  
 A quick connector is provided for each tool.*

		
<p><b>66016-97</b></p>	<p><b>61297-97</b></p>	<p><b>66017-97</b></p>
<p>Details on page 184</p>	<p>Details on page 188</p>	<p>Details on page 187</p>
<p>MAXI-KOUSMA bead breaker for 3-piece rims with tall rings. Max hooking height 3.5". Adjustable claw.</p>	<p>TALLMA magnetic bead breaker for the interior of 3- to 5-piece rims mounted on earth-moving equipment. Magnetic extensions made of light alloy with different lengths included.</p>	<p>SHUTTLE-T bead breaker recommended on internal and external side of 5-piece rim. Connector with 360° swivel.</p>
	 <p>Pump side</p>	
<p><b>65431-99</b></p>	<p><b>65992-67</b></p>	
<p>Details on page 173</p>	<p>Details on page 179</p>	
<p>Pump with 2.5 m hose, coupling, cap and air connector.</p>	<p>Adaptor from screw-on connector to quick connector</p>	



## "AE" MAINTENANCE BOX

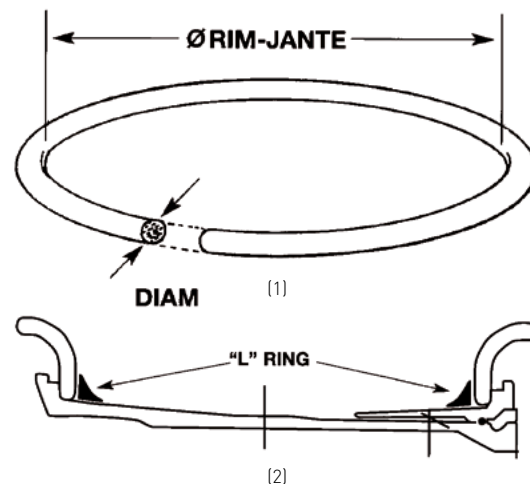


**67600-67**

*"AE" maintenance box.  
The essential complement for hydraulic tools and tire maintenance.  
Strong metal box.  
Dimensions 110 x 42 x 21 cm.  
Total weight: 75 kg*

### CONTENTS

- |  |  |
|--|--|
| 1 Eurodairu truck inflating gauge bar/psi <b>R-1821-Z</b>        | 2 earthmover/truck adaptors <b>R-1296-1</b>                        |
| 1 Eurodairu earthmover inflating gauge bar/psi <b>35864-58</b>   | 2 large bore snap-on couplers <b>R-0767-1</b>                      |
| 1 Eurodaira truck pressure gauge bar/psi <b>38049-99</b>         | 10 inflation nipples R-0985-2 valve side for hose 7 x 13           |
| 1 Eurodaira earthmover pressure gauge bar/psi <b>38099-99</b>    | 2 large bore inflation nipples R-0984-1 for hose int. Ø 7          |
| 1 HYOCA lever <b>R-1194-1</b>                                    | 100 cores passenger car and truck <b>S-4191-3</b>                  |
| 1 HYUDE lever <b>R-1194-1</b>                                    | 50 short cores earthmover <b>R-0765-2</b>                          |
| 2 SAYAM levers <b>R-858-1</b>                                    | 100 caps passenger car and truck <b>R-1424-3</b>                   |
| 2 HALTE levers <b>R-1060-1</b>                                   | 50 caps earthmover <b>R-0766-2</b>                                 |
| 1 FORCE lever <b>R-1289-1</b>                                    | 1 tube deflator R-0634-1   |
| 1 FIACRE lever <b>R-0427-1</b>                                   | 1 valve thread repair tool for passenger car/truck <b>S-4259-1</b> |
| 1 FIFRE lever <b>R-0428-1</b>                                    | 1 valve thread repair tool for earthmover <b>R-0769-1</b>          |
| 2 FACE levers <b>R-0426-1</b>                                    | 1 section 3 m hose 7 x 13 <b>R-1018-1</b>                          |
| 1 tire bead remover FAGUS <b>R-1230-1</b>                        | 10 hose couplers outlet side R-0986-2 for hose 7 x 13              |
| 2 metal handbrushes, long handle 300 mm (*)                      | 10 rotating nipples inlet side R-0987-2 for hose 7 x 13            |
| 2 brushes for grease truck/earthmover <b>60805-67</b>            | 30 ferrules R-1430 for hose 7 x 13                                 |
| 1 tire grease tin 4 kg TIGRE <b>R-5084-1</b>                     | 100 sealing washers truck <b>R-0569-3</b>                          |
| 1 flat key 17 x 19 (*)   | 1 hex. socket 23, square 1/2" <b>65047-67 (*)</b>                  |
| 1 flat key 24 x 26 (*)   | 1 hex. socket 24, square 1/2" <b>65048-67 (*)</b>                  |
| 1 lock-grip pliers <b>67236-67</b>                               | 1 hex. socket 27, square 1/2" <b>65049-67 (*)</b>                  |
| 2 handling gloves (*)  | 1 hex. socket 30, square 1/2" <b>65050-67 (*)</b>                  |
| 1 core and cap screwing tool passenger car/truck <b>R-1255-1</b> | 1 square 1/2" <b>65046-67 (*)</b>                                  |
| 1 earthmover core and cap screwing tool <b>R-1469-1</b>          |  |



**(1) SealS TYPE "O"**

	Ø on rim seat (")	Ø of seal (")	Type	Code with OR	Michelin range	Schrader S.A.S. range
	20	1/4	-	OR-220T-TG	-	<b>65882-67</b>
	24	1/4	-	OR-224-TG	-	<b>66795-67</b>
	25	1/4	HUEPO	OR-225-T	<b>R-1438-1</b>	<b>65359-67</b>
	25	3/8	SULLA	OR-325-T	<b>R-1437-1</b>	<b>65360-67</b>
	29	3/8	SULKY	OR-329-T	<b>R-1439-1</b>	<b>65361-67</b>
	33	3/8	STRIX	OR-333-T	<b>R-1440-1</b>	<b>65362-67</b>
	35	3/8	STRAS	OR-335-T	<b>R-1441-1</b>	<b>65363-67</b>
	39	3/8	FUODI	OR-339-T	<b>R-1069-1</b>	<b>65364-67</b>
	45	1/2	-	OR-445-T	-	<b>65365-67</b>
	45	3/8	-	OR-345-T	<b>R-1580-1</b>	<b>65636-67</b>
	49	1/2	-	OR-449-T	-	<b>66796-67</b>
	49	3/8	HEYCO	OR-349-T	<b>R-1442-1</b>	<b>65366-67</b>
	51	3/8	-	OR-351-T	-	<b>65368-67</b>
	51	1/2	-	OR-451-T	-	<b>65319-67</b>
57	1/2	-	OR-457-T	-	<b>65367-67</b>	


**(2) SealS TYPE "L"**

	Ø on rim seat (")		Type		Michelin range	Schrader S.A.S. range
	20	-	TYRAN (LR20)		<b>R-1443-1</b>	<b>65729-67</b>
	25	-	LR 25		-	<b>65464-67</b>
	29	-	LR 29		-	<b>65465-67</b>
	33	-	LR 33		-	<b>65577-67</b>
	35	-	LR 35		-	<b>66961-67</b>











# TOOL GUIDE

	1-piece	66014-97	<b>MINI KOUSMA</b>	Max ring height: 43 mm // Jack stroke: 100 mm
		65071-97	<b>COMPACT</b>	Max ring height: 35 mm // Jack stroke: 40 mm
		61193-97	<b>SUPER-COMPACT</b>	Max ring height: 35 mm // Jack stroke: 70 mm
		67030-67 / -99	<b>US BEAD BREAKER</b>	Max ring height: 35 mm // Bead breaker stroke: 95 mm
		66995-97	<b>SKYMA</b>	Max ring height: 43 mm // Bead breaker stroke: 70 mm

24" 25" 29" 35" 49"

	3-piece	<b>PASCHRA 3</b> Ref.: 65187-Q7 / -Q9	
		<b>US BEAD BREAKER</b> Ref.: 67036-67 / -99	
		<b>KOUSMA</b> Ref.: 66015-97	
		<b>MAXI-KOUSMA</b> Ref.: 66016-97	
		<b>SUPER-KOUSMA</b> Ref.: 61261-97	

## ► Spare connectors

	1-piece					
	US bead breaker		Mini Kousma	Compact	Super Compact	Skyma
	67030-67	67030-99	66014-97	65071-97	61193-97	66995-97
65296-67			x	x	x	x
66821-67			x	x	x	x
67065-67		x				
67072-67 + 67074-67	x					

	3-piece								
	Paschra				US bead breaker	Kousma	Maxi-Kousma	Super-Kousma	
	Bead breaker + claw		Bead breaker alone						
	65187-Q7	65187-Q9	61293-Q7	61293-Q9	67036-67	67036-99	66015-97	66016-97	61261-97
65296-67							x	x	x
66821-67							x	x	x
67065-67		x		x		x			
67072-67 + 67074-67	x			x		x			

		25"	35"	39"	45"	49"	51"	63"		
	<b>SMALLMA</b> Ref.: 65286-67 / -99	///			///		///			
	<b>BIGMA</b> Ref.: 67018-67 / -99	///				///				
 <b>5-piece</b>	<b>SHUTTLE-T</b> Ref.: 66017-97	///			///				///	
	<b>MAGMA 2</b> Ref.: 66011-97	///				///				
	<b>MAXI-MAGMA</b> Ref.: 61201-97	///				///				
	<b>MAXI-KOUSMA</b> Ref.: 66016-97	///			///					
	<b>SUPER-KOUSMA</b> Ref.: 61261-97	///				///				
	<b>BARJUKY<sup>2</sup></b> Ref.: 61362-67	///			///					
	<b>BARJUKY<sup>2</sup> EXTENSION</b> Ref.: 61363-67	///			///				///	
	<b>DUALUKY</b> Ref.: 61352-72	///			///				///	

### ► Spare connectors

	5-piece								
	Small		Big		Smallma		Bigma		Shuttle-T
	67012-67	67012-99	67016-67	67016-99	65286-67	65286-99	67018-67	67018-99	66017-97
<b>65296-67</b>									x
<b>66821-67</b>									x
<b>67065-67</b>		x		x		x		x	
<b>67072-67 + 67074-67</b>	x		x		x		x		

	5-piece							
	Maxi-Kousma	Super-Kousma	Magma 2	Maxi-Magma	Sayma-2		Tallma	Barjuky2
	66016-97	61261-97	66011-97	61201-97	66985-Q7	66985-Q9	61297-97	61362-67
<b>65296-67</b>	x	x	x	x			x	x
<b>66821-67</b>	x	x	x	x			x	x
<b>67065-67</b>						x		
<b>67072-67 + 67074-67</b>					x			

**INDEX ETRTO  
NUMERICAL INDEX  
ALPHABETICAL INDEX**





## INDEX ETRTO

Reference	Page
<b>ETRTO</b>	
v3.02.12	R-1157-2 20
v3.02.13	R-0751-2 19
v3.02.14	R-1158-2 20
v3.02.17	R-0752-2 19
v3.02.2	R-0570-2 19
v3.02.3	R-0576-2 19
v3.02.5	R-1003-2 19
v3.02.9	R-1156-2 20
v3.04.2	R-1198-2 22
v3.06.1	R-0922-2 24
v3.06.2	R-0580-2 24
v3.06.5	R-0582-2 23
v3.06.6	R-0819-2 23
v3.06.8	R-1123-2 23
v3.07.1	R-1007-2 22
v3.08.2	S-4014-2 S-4142-1 20
v3.14.1	R-0806-2 14
v3.14.2	R-0808-2 15
v3.15.2	R-1051-2 15
v3.16.1	R-1013-2 16
v3.18.1	R-0907-2 16
v3.18.2	R-0920-2 17
v3.19.1	R-0911-2 17
v3.20.1	R-0964-2 R-0964-3 10
V3.20.1	41534-68 11
V3.20.12	R-1680-2 R-1680-3 R-1680-7 10
V3.20.2	R-1798-2 10
V3.20.4	R-1485-2 R-1485-3 R-1485-7 10
v3.20.5	R-1486-2 R-1486-3 R-1486-7 10

Reference	Page
<b>ETRTO</b>	
V3.20.6	R-1487-2 R-1487-3 R-1487-7 10
v3.20.7	R-1500-2 10
v3.21.1	R-2027-2 R-2027-7 13
v3.21.1	41788-68 13
V3.21.2	S-4591-2 13
v3.21.9	41518-68 13
v3.22.1	R-2123-2 R-2123-3 R-2123-7 10
V3.22.1	42729-68 11
v4.02.1	R-1139-2 34
v4.03.1	R-1224-2 S-4015-1 34
v5.03.1	R-1009-1 37
v5.03.1	R-0979-1 41
v5.04.1	R-1837-1 39
v5.04.2	S-4039-1 39
v5.09.1	S-4022-1 40
v5.15.1	R-1840-2 R-1840-3 35
v5.15.2	S-4029-1 36
v5.15.3	S-4021-1 36
v5.15.4	S-4020-1 36
v9.04.3	33792-69 51
v9.14.1	R-1225-2 R-1225-3 34

## NUMERICAL INDEX

reference	page
Index	
15-206	99
15-224	99
15-225	99
15-227	99
15-230	99
15-231	99
15-232	99
15-281	99
17-244	132
17-245	132
17-246	132
17-248	132
17-249	132
37-099	33
41-466	159
30307-53	50
30307-54	50
30307-57	50
30307-58	50
30307-63	50
32264-67	68
32264-67	69
32266-67	68
32266-67	70
33645-68	11
33759-67	149
33760-67	149
33762-67	54
33763-67	54
33764-67	54
33765-67	54
33766-67	54
33767-67	54
33792-69	51
37900-58	51
37900-58	57
37900-65	51
37900-65	57
37992-69	50
37992-80	50
38038-99	66
38039-99	66
38048-99	66
38049-99	66
38075-99	66
38076-99	66
38077-99	66

reference	page
38078-99	66
38879-58	64
38902-58	64
39001-00	65
39065-00	71
39066-67	68
39080-67	68
39093-00	65
39101-00	65
39104-00	65
39701-00	63
39703-00	63
39766-67	68
39921-00	62
39923-00	62
39925-00	62
39926-00	62
39928-00	62
39931-00	62
39933-00	62
40058-67	83
40059-67	83
40117-67	65
40117-67	65
40117-67	71
40122-67	65
40122-67	65
40122-67	71
41291-09	69
41291-68	69
41315-68	25
41315-71	25
41316-68	25
41316-71	25
41317-68	25
41317-71	25
41318-68	25
41318-71	25
41319-68	25
41319-71	25
41320-68	25
41320-71	25
41321-68	25
41321-71	25
41322-68	25
41322-71	25
41323-68	25
41323-71	25

reference	page
41324-68	25
41324-71	25
41325-68	25
41325-71	25
41326-68	25
41326-71	25
41327-68	25
41327-71	25
41518-68	13
41534-68	11
41667-68	14
41684-68	12
41703-68	18
41776-68	25
41777-68	25
41788-68	13
42016-68	25
42132-68	11
42168-68	11
42176-68	35
42214-68	26
42214-69	26
42215-68	26
42215-69	26
42216-68	26
42216-69	26
42217-68	26
42217-69	26
42218-68	26
42218-69	26
42253-68	27
42253-69	27
42392-67 (2)	91
42563-68	26
42564-68	26
42729-68	11
42868-67	91
43078-69	50
43078-69	57
43249-68	26
43770-68	25
43771-68	25
43772-68	25
44073-67	74
44096-67	83
60038-67	90
60038-67	104
60181-67	134

## NUMERICAL INDEX

reference	page	reference	page	reference	page
60219-39	54	60340-67	123	60620-67	96
60220-39	54	60341-67	123	60621-67	96
60221-39	54	60342-67	123	60622-67	96
60222-39	54	60343-67	123	60623-67	96
60223-39	54	60344-67	123	60624-67	96
60224-39	54	60345-67	123	60625-67	96
60225-39	54	60346-67	123	60626-67	96
60233-67	77	60347-67	123	60627-67	96
60235-67	134	60349-67	124	60628-67	96
60267-67	148	60350-67	124	60632-67	96
60280-67	148	60355-67	124	60633-67	96
60281-67	148	60356-67	124	60651-67	98
60282-67	148	60358-67	124	60652-67	98
60283-67	148	60359-67	124	60653-67	98
60284-67	148	60373-67	124	60655-67	98
60285-67	148	60374-67	124	60657-67	98
60286-67	148	60376-67	125	60659-67	98
60287-67	148	60377-67	125	60665-67	98
60288-67	148	60379-67	125	60666-67	98
60289-67	147	60380-67	125	60667-67	98
60290-67	147	60382-67	125	60668-67	98
60291-67	147	60383-67	125	60669-67	98
60292-67	147	60396-67	187	60670-67	98
60293-67	147	60398-67	187	60680-67	98
60295-67	147	60504-67	92	60681-67	98
60296-67	147	60505-67	92	60682-67	98
60297-67	147	60506-67	92	60683-67	98
60298-67	147	60507-67	92	60684-67	98
60299-67	147	60511-67	92	60685-67	98
60300-67	147	60515-67	100	60686-67	98
60301-67	147	60516-67	100	60687-67	98
60302-67	147	60518-67 (*)	101	60702-67	94
60303-67	147	60518-68 (**)	101	60703-67	94
60304-67	147	60519-67	101	60703-67	95
60305-67	147	60520-67	101	60706-67	94
60306-67	162	60603-67	96	60710-67	100
60307-67	162	60604-67	96	60712-67	100
60308-67	154	60605-67	96	60717-67	101
60310-67	147	60606-67	96	60718-67	101
60324-67	147	60607-67	96	60719-67	101
60325-67	146	60611-67	96	60730-67	101
60326-67	146	60612-67	96	60731-67	102
60327-67	146	60613-67	96	60732-67	102
60328-67	146	60615-67	96	60733-67	103
60329-67	146	60616-67	96	60734-67	103
60333-67	129	60617-67	96	60736-67	103
60338-67	132	60618-67	96	60740-67	103
60339-67	123	60619-67	96	60741-67	103



## NUMERICAL INDEX

reference	page
60804-67	156
60805-67	156
60809-67	75
60810-67	75
60811-67	75
60813-67	156
60816-67	75
60817-67	75
60818-67	75
60880-67	107
60881-67	132
60882-67	127
60883-67	127
60884-67	126
60885-67	126
60886-67	133
60887-67	127
60888-67	127
60889-67	127
60893-67	121
60895-67	121
61129-67	124
61130-67	124
61137-67	126
61138-67	126
61139-67	126
61140-67	126
61142-67	125
61143-67	128
61144-67	128
61145-67	128
61146-67	122
61148-67	105
61149-67	105
61181-67	71
61182-67	132
61193-97	181
61201-97	186
61203-67	186
61206-67	186
61207-67	186
61210-67	138
61211-67	138
61212-67	138
61213-67	138
61214-67	138
61215-67	138
61216-67	138

reference	page
61217-67	138
61218-67	138
61219-67	138
61220-67	138
61222-69	28
61223-71	28
61224-69	28
61225-69	28
61261-97	185
61264-67	191
61269-67	151
61269-67	171
61279-71	28
61289-67	78
61291-67	79
61291-68	79
61292-67	173
61292-99	173
61293-Q7	182
61293-Q9	182
61297-97	188
61297-97	192
61300-67	73
61301-67	43
61302-67	40
61303-67	40
61304-67	43
61305-67	43
61306-67	43
61307-67	43
61308-67	45
61309-67	44
61310-67	44
61311-67	43
61312-67	189
61313-67	189
61314-67	42
61316-67	40
61317-67	40
61318-67	40
61319-67	161
61320-67	131
61321-67	163
61322-67	131
61323-67	51
61347-67	155
61348-67	163
61349-67	163

reference	page
61350-67	162
61351-67	163
61352-67	191
61352-72	191
61358-97	186
61359-67	122
61360-67	122
61362-67	190
61363-67	191
61364-67	122
61365-67	191
61367-71	28
61368-71	28
61369-69	28
61370-69	28
61372-67	153
61392-67	102
61392-67	105
61393-67	102
61393-67	105
63183-67	149
65003-67	154
65015-67	153
65016-67	153
65017-67	153
65018-67	153
65021-67	33
65022-67	33
65028-68	159
65037-67	153
65063-00	73
65071-97	181
65076-67	90
65076-67	104
65088-67	68
65088-67	145
65089-67	68
65090-67	78
65091-67	78
65092-67	79
65093-67	79
65093-67	145
65094-67	79
65094-68	79
65095-68	70
65096-68	70
65097-68	70
65098-67	77



## NUMERICAL INDEX

reference	page	reference	page	reference	page
65099-67	77	65319-67	194	65603-67	139
65100-67	77	65328-67	136	65605-67	187
65101-67	77	65332-67	73	65607-67	129
65115-67	56	65359-67	194	65613-67	100
65116-67	56	65360-67	194	65616-67	149
65117-67	56	65361-67	194	65636-67	194
65118-67	56	65362-67	194	65663-67	147
65119-67	56	65363-67	194	65686-67	156
65120-67	56	65364-67	194	65687-67	156
65121-67	56	65365-67	194	65729-67	194
65122-67	56	65366-67	194	65751-67	73
65123-67	152	65367-67	194	65756-67	148
65124-67	152	65368-67	194	65757-68	12
65125-67	152	65414-67	81	65758-68	12
65126-67	133	65431-99	192	65760-68	12
65131-67	121	65432-67	139	65761-67	106
65175-67	148	65437-67	174	65769-68	12
65176-67	148	65438-67	174	65775-67	145
65177-67	148	65444-67	138	65780-67	79
65178-67	148	65445-67	138	65786-67	82
65179-67	148	65446-67	121	65789-67	75
65180-67	148	65447-67	121	65790-67	75
65181-67	148	65448-67	121	65791-67	75
65187-Q7	182	65463-67	55	65794-67	121
65187-Q9	182	65464-67	194	65795-67	121
65189-67	148	65465-67	194	65796-67	120
65190-67	148	65468-67	109	65798-67	172
65192-67	129	65470-67	109	65802-67	180
65195-67	189	65472-67	109	65803-67	161
65219-67	133	65485-67	161	65804-67	161
65226-67	156	65488-67	182	65808-67	144
65229-67	189	65491-67	78	65810-67	144
65241-67	161	65491-67	173	65812-67	133
65255-67	77	65496-67	175	65818-67	121
65267-Q7	182	65528-67	154	65822-67	134
65267-Q9	182	65528-99	154	65834-67	105
65277-67	150	65529-67	154	65842-67	73
65279-67	133	65529-99	154	65843-67	73
65289-67	147	65530-67	73	65844-67	73
65290-67	159	65577-67	194	65845-67	79
65296-67	177	65578-67	78	65845-67	145
65296-67	178	65578-67	120	65851-67	127
65307-67	121	65579-67	78	65852-67	178
65308-67	121	65580-67	126	65853-67	178
65309-67	121	65581-67	126	65864-67	90
65310-67	121	65591-67	178	65864-67	104
65311-67	121	65601-67	139	65865-67	137
65312-67	121	65602-67	139	65866-67	137

## NUMERICAL INDEX

reference	page	reference	page	reference	page
65867-67	172	66068-67	153	66362-67	97
65867-99	172	66069-67	153	66363-67	97
65870-67	137	66082-67	162	66364-67	97
65871-67	137	66083-67	162	66365-67	97
65872-67	138	66084-67	162	66382-67	104
65873-67	138	66085-67	133	66383-67	132
65874-67	138	66085-67	189	66531-67	170
65882-67	194	66091-67	144	66532-67	170
65897-67	140	66097-67	44	66533-67	170
65910-69	28	66098-67	46	66534-67	170
65911-69	28	66099-67	46	66535-67	170
65912-69	28	66105-67	175	66536-67	170
65913-69	28	66120-67	54	66537-67	170
65914-71	28	66124-67	126	66538-67	170
65915-71	28	66125-67	126	66539-67	170
65917-67	171	66141-67	81	66541-67	82
65918-67	171	66142-67	81	66542-69	28
65919-67	171	66143-67	81	66554-67	81
65922-67	33	66144-67	81	66577-67	146
65932-67	175	66145-67	81	66578-67	146
65941-67	100	66146-67	81	66579-67	146
65957-67	175	66147-67	81	66580-67	146
65967-67	171	66148-67	81	66581-67	146
65968-67	171	66149-67	81	66582-67	146
65969-67	171	66154-67	130	66583-67	146
65978-67	171	66311-67	104	66584-67	146
65979-67	171	66330-67	97	66585-67	146
65982-67	140	66331-67	97	66586-67	146
65984-67	131	66332-67	97	66587-67	146
65987-67	169	66334-67	97	66588-67	146
65992-67	179	66335-67	97	66589-67	146
65992-67	192	66338-67	97	66590-67	146
65993-67	179	66339-67	97	66591-67	146
66014-97	181	66340-67	97	66592-67	146
66015-97	183	66341-67	97	66593-67	146
66016-97	184	66342-67	97	66594-67	146
66016-97	192	66343-67	97	66595-67	146
66017-97	187	66344-67	97	66596-67	146
66017-97	192	66345-67	97	66597-67	146
66021-71	29	66346-67	97	66598-67	146
66022-71	29	66350-67	95	66599-67	146
66023-71	29	66350-67	95	66600-67	146
66045-67	155	66351-67	95	66601-67	146
66046-67	155	66351-67	95	66602-67	146
66049-67	183	66352-67	95	66603-67	146
66049-67	184	66352-67	95	66604-67	146
66049-67	185	66353-67	95	66605-67	146
66060-67	104	66353-67	95	66606-67	146

## NUMERICAL INDEX

reference	page	reference	page	reference	page
66607-67	147	66768-67	42	66858-67	153
66608-67	147	66769-67	42	66865-67	144
66609-67	147	66770-67	42	66881-67	176
66611-67	147	66771-67	42	66882-67	176
66612-67	147	66772-67	42	66883-67	176
66613-67	148	66773-67	42	66884-67	176
66615-67	147	66774-67	42	66887-67	57
66618-67	78	66775-67	42	66892-00	63
66619-67	79	66776-67	42	66938-67	29
66620-67	79	66777-67	42	66961-67	194
66662-67	135	66778-67	42	66962-67	127
66662-67	135	66779-67	33	66964-67	76
66663-67	135	66780-67	41	66965-67	76
66663-67	135	66781-67	44	66969-67	134
66664-67	131	66782-67	44	66981-67	147
66665-67	144	66783-67	44	66982-67	147
66670-67	144	66786-67	44	66983-67	147
66687-67	124	66787-67	45	66984-67	147
66688-67	125	66788-67	45	66985-Q7	188
66689-67	125	66791-67	45	66985-Q9	188
66724-67	175	66793-67	44	66986-67	188
66725-67	175	66794-67	44	66995-97	183
66732-69	28	66795-67	194	66999-67	156
66733-69	28	66796-67	194	67001-67	171
66734-68	29	66797-67	137	67002-67	171
66735-68	29	66799-67	120	67012-67	187
66739-67	78	66800-67	120	67012-99	187
66747-67	42	66801-67	120	67016-67	187
66748-67	42	66802-67	131	67016-99	187
66749-67	42	66803-67	131	67017-67	187
66750-67	42	66810-67	130	67018-67	185
66751-67	42	66811-67	130	67018-99	185
66752-67	42	66812-67	173	67023-67	185
66753-67	42	66813-67	78	67024-67	185
66754-67	42	66814-67	79	67025-67	185
66755-67	42	66815-67	161	67025-99	185
66756-67	42	66817-67	144	67029-67	189
66757-67	42	66817-67	144	67030-67	180
66758-67	42	66821-67	179	67030-99	180
66759-67	42	66837-67	139	67036-67	184
66760-67	42	66838-67	139	67036-99	184
66761-67	42	66840-67	139	67037-67	180
66762-67	42	66841-67	139	67037-67	184
66763-67	42	66843-67	139	67048-67	178
66764-67	42	66844-67	139	67065-67	177
66765-67	42	66845-67	139	67065-67	178
66766-67	42	66851-67	186	67066-67	177
66767-67	42	66852-68	35	67066-67	179

## NUMERICAL INDEX

reference	page	reference	page	reference	page
67067-67	177	67220-67	133	67472-2P	134
67067-67	178	67221-67	133	67472-2R	134
67068-67	177	67222-67	133	67478-67	106
67068-67	179	67223-67	90	67479-67	106
67069-67	177	67223-67	104	67493-67	107
67069-67	178	67225-67	132	67494-67	107
67071-67	177	67226-67	132	67496-67	107
67071-67	179	67227-67	132	67503-67	106
67072-67	177	67228-67	132	67504-67	106
67072-67	179	67229-67	132	67505-67	106
67073-67	177	67231-67	131	67506-67	106
67073-67	179	67233-67	133	67600-67	193
67074-67	177	67234-67	133	67620-67	123
67074-67	178	67236-67	189	67621-67	123
67075-67	178	67240-67	177	67622-67	123
67076-67	178	67240-67	178	67623-67	123
67077-67	158	67241-67	177	67624-67	123
67078-67	189	67241-67	178	67625-67	123
67080-67	172	67244-68	70	67639-67	124
67080-99	172	67251-67	122	67640-67	124
67082-67	172	67283-67	104	67649-67	125
67082-99	172	67370-67	136	69668-67	73
67085-67	172	67382-67	137	69669-67	73
67085-99	172	67383-67	137	411200	150
67087-67	172	67384-67	137	411500	150
67087-99	172	67385-67	137	412000	150
67089-67	172	67386-67	137	413000	150
67099-97	192	67388-67	137	420500	151
67115-67	32	67389-67	137	421000	151
67120-67	33	67404-67	138	451205	150
67126-67	174	67405-67	138	471105	151
67127-67	174	67407-67	138	A06332-12	157
67128-67	174	67411-67	138	A06332-67	157
67131-67	174	67419-67	137	A07500-12	157
67132-67	174	67433-67	138	A07500-67	157
67135-67	174	67435-67	138	A19975-12	157
67145-67	179	67445-67	138	A19975-67	157
67146-67	179	67446-67	174	R-0038-1	72
67147-67	179	67447-67	139	R-0059-2	159
67148-67	179	67447-67	174	R-0153-1	68
67149-67	178	67448-67	139	R-0415-1	71
67152-67	33	67448-67	174	R-0416-1	72
67163-68	70	67449-67	139	R-0426-1	160
67201-67	130	67449-67	174	R-0427-1	160
67208-67	141	67471-1E	134	R-0428-1	160
67214-67	130	67471-1P	134	R-0517-2	69
67215-67	129	67471-1R	134	R-0570-2	19
67218-67	133	67472-2E	134	R-0572-2	19

## NUMERICAL INDEX

reference	page	reference	page	reference	page
R-0576-2	19	R-1013-2	16	R-1485-7	10
R-0578-2	21	R-1025-1	37	R-1486-2	10
R-0579-2	22	R-1051-2	15	R-1486-3	10
R-0580-2	24	R-1060-1	160	R-1486-7	10
R-0582-2	23	R-1069-1	194	R-1487-2	10
R-0634-1	72	R-1081-2	21	R-1487-3	10
R-0697-1(*)	70	R-1089-2	15	R-1487-7	10
R-0736-2	70	R-1123-2	23	R-1500-2	10
R-0750-2	19	R-1124-1	37	R-1549-2	17
R-0751-2	19	R-1125-1	38	R-1580-1	194
R-0752-2	19	R-1139-2	34	R-1581-1	14
R-0765-2	50	R-1144-2	25	R-1581-2	14
R-0766-2	51	R-1144-3	25	R-1614-1	175
R-0767-1	70	R-1144-6	25	R-1632-2	15
R-0769-1	159	R-1156-2	20	R-1680-2	10
R-0806-2	14	R-1157-2	20	R-1680-3	10
R-0808-2	15	R-1158-2	20	R-1680-7	10
R-0819-2	23	R-1194-1	160	R-1781-1	66
R-0821-2	50	R-1195-1	160	R-1782-1	66
R-0822-1	37	R-1197-2	27	R-1798-2	10
R-0823-1	37	R-1197-3	27	R-1837-1	39
R-0824-1	37	R-1198-2	22	R-1840-2	35
R-0825-1	37	R-1221-2	21	R-1840-3	35
R-0826-1	37	R-1224-2	34	R-1842-1	41
R-0827-1	37	R-1225-2	34	R-1842-2	41
R-0829-1	38	R-1225-3	34	R-1898-2	10
R-0858-1	160	R-1230-1	160	R-1898-3	10
R-0904-1	72	R-1255-1	159	R-1898-7	10
R-0907-2	16	R-1289-1	160	R-2021-2	10
R-0911-2	17	R-1294-2	14	R-2027-2	13
R-0915-2	16	R-1294-7	14	R-2027-7	13
R-0920-2	17	R-1296-1	69	R-2101-2	18
R-0922-2	24	R-1424-3	51	R-2102-2	18
R-0933-1	71	R-1430-2	69	R-2112-2	13
R-0964-2	10	R-1431-2	25	R-2123-2	10
R-0964-3	10	R-1431-3	25	R-2123-3	10
R-0965-1	38	R-1431-6	25	R-2123-7	10
R-0966-1	38	R-1437-1	194	(*) R-3500-2	69
R-0979-1	41	R-1438-1	194	R-3552-2	27
R-0984-1	70	R-1439-1	194	R-5028-1	132
R-0985-1	69	R-1440-1	194	R-5084-0	155
R-0985-2	69	R-1441-1	194	R-5084-1	155
R-0986-2	69	R-1442-1	194	S-0339-1	77
(*) R-0987-2	69	R-1443-1	194	S-0341-1	77
R-1003-2	19	R-1465-2	21	S-0346-1	77
R-1005-2	19	R-1469-1	159	S-0347-1	77
R-1007-2	22	R-1485-2	10	S-0348-1	77
R-1009-1	37	R-1485-3	10	S-0349-1	77

## NUMERICAL INDEX

reference	page
S-4000-3	50
S-4000-5	50
S-4011-2	35
S-4014-2	20
S-4015-1	34
S-4020-1	36
S-4021-1	36
S-4022-1 (2)	40
S-4023-1 (1)	40
S-4026-1	158
S-4029-1	36
S-4030-1	41
S-4037-1	39
S-4038-1	39
S-4039-1	39
S-4046-2	34
S-4047-1	34
S-4047-2	34
S-4049-1	159
S-4049-2	159
S-4134-2	27
S-4142-1	20
S-4145-M1	149
S-4145-V5	149
S-4259-1	159
S-4282-1	159
S-4295-2	11
S-4297-2	11
S-4305-1	156
S-4305-J	156
S-4306-1	128
S-4310-1	121
S-4312-1	123
S-4340-1	128
S-4368-1	122
S-4369-1	128
S-4370-1	128
S-4374-1	123
S-4385-1	34
S-4391-1	149
S-4392-2	159
S-4394-1	125
S-4451-1	72
S-4464-1	158
S-4504-2	27
S-4517-2	27
S-4529-2	27
S-4531-2	27

reference	page
S-4551-2	27
S-4577-2	27
S-4584-2	27
S-4587-2	50
S-4591-2	13
S-4653-2	51
S-4700-1	149
S-4701-1	149
S-4702-1	149
S-4703-1	149
S-4704-1	149
S-4705-1	149
S-4706-1	149
S-4707-1	149
S-4708-1	149
S-4709-1	149
S-4723-2	159
S-4724-2	159
S-4730-1	149
S-4736-1	149
S-4788-1	120
S-4789-1	127
S-4792-1	128
S-4933-1 (*)	100
S-4933-9 (**)	100
S-4946-1	126
S-4947-1	126
S-4948-0 (**)	100
S-4948-1 (*)	100
S-4954-1	126
S-4955-8	91
S-4956-8 (1)	91
S-4979-1	128
S-4998-2	25
SBAP	108
SDSB5GIN	108
T66690	50
T66690	159
T66690-10	50
T66690-10	159
V2234	158
V2316	133
V2316	163

reference	page
-----------	------

# ALPHABETICAL INDEX

1/2 spherical rasps 123  
 3M Versaflo 163  
 3-way valve for pump 33  
 5-PIECE RIMS 185

## A

Abrasive discs 127  
 ACCESSORIES FOR BRUSH AND VACUUM CLEANER 129  
 Adjustable props 150  
 Agricultural drainage tool 33  
 AGRIGLUE 155  
 AIRBAGS 170  
 Airbot 124  
 Air Canons 73  
 AIR GRINDERS 120  
 AIR INLET CONNECTORS 145  
 Air treatment unit "GLOBAL FRL SYSTEM" 80  
 ALCOA alloy rims 11,12  
 Aluminium jack 172  
 Aluminium paste lubricant 157  
 ARACUT SLEEVE II 162  
 ARIVAIR 66  
 Assembly kit for on-site repair 45  
 AUTOMATIC WINDERS AND HOSES 76

## B

Balance weights 54  
 BALANCING BEADS FOR UTILITY AND 4X4 VEHICLES 56  
 BALANCING PRODUCTS 53  
 Ballasting pump 32  
 ball rasps 125  
 BARJUKY 190  
 battery 163  
 Bead bazooka 73  
 bead block 161  
 BEAD BREAKER 154,180,181,182,183,184,188  
 Bead holder 161  
 Bead remover tool 160  
 Bent flexible extensions 25  
 BIG 187  
 BIGMA 185  
 blades 131,149  
 BLOCKING 171  
 BLOCKING WEDGES 189  
 BOOSTAIR 20 73  
 BOOSTAIR 35 73  
 BOOSTER 74  
 BOOSTER HIGH-FLOW VALVE 74  
 bounding agent 155  
 BOXES AND TUBES 170  
 Brake cleaner 157

Brass extensions 27  
 brass tubeless valves 10  
 breakers 154  
 BRUSH CAPS 101  
 Brushes 133  
 BRUSHES FOR RUBBER 128  
 Brushes for vulcanizing solutions 90  
 BRUSHES FOR Vulcanizing SOLUTIONS 104  
 brush for tire paste and grease 156

## C

Cap for farm valve hole 34  
 Caps 50  
 Caps to Seal 51  
 CARTS 151  
 Caterpillar 773 40  
 Caterpillar 777B/C 40  
 Chalks 156  
 CHECKLINK 29  
 CHECKLOCK SQ 29  
 CHECKPOINT 28  
 CHUCKS 121  
 CHUCKS AND TOOL HOLDERS 121  
 circlip pliers 133  
 Clamping lugs for the flexible extensions 25  
 claw 182,183  
 coated brass 11,12  
 Coiled hoses 77  
 COLD REPAIR FOR RADIAL AND BIAS TIRES 94  
 COLD REPAIR OF EXTERNAL DAMAGE WITH SELF-Vulcanizing RUBBER 102  
 COLD TIRE DAMAGE REPAIR 100  
 Collars 152  
 COMPACT 181  
 Compensation bags 139  
 compensator 106  
 Complete ballasting connector 1/2" 33  
 Complete hydraulic hoses 175  
 COMPONENTS FOR "VSM" Vulcanizers 137  
 COMPRESSED AIR CONNECTORS 78,79  
 COMPRESSED-AIR EQUIPMENT 80,81  
 Conical rasps 124  
 CONICAL REAMER TOOLS 126  
 Conical threaded quick connector 79  
 connection 360° 120  
 Connector for 80% water ballasting 33  
 connectors 176  
 CONNECTORS FOR UNIVERSAL STEMS 20  
 core large bore 50

CORES 50  
 Core screwdriver 159  
 core Standard flow 50  
 Couplers for hoses internal ø 7 mm 69  
 CRIMPING KIT 45  
 Curved knife 132  
 Cutters for metal 126  
 CUTTING WHEEL 127

## D

defacing tool 133  
 degreaser 157  
 DETAGEL 156  
 DIGITAIR 62  
 DISMANTLING BOX 190  
 DISTRIBUTORS 175  
 Double-bend universal screw-on valves 22  
 Double junction connector 79  
 drop-centre rims 12,13,14,15  
 DUALUKY 191  
 DUAL WHEELS 191  
 DUSTITE LR 28

## E

Ear collars 70  
 EARTHMOVER EQUIPMENT 165  
 ELECTRICAL BRUSH AND ACCESSORIES 122  
 electronic inflating gauges with handle 62  
 electronic wall Tire inflators 82  
 EMERGENCY REPAIR FROM THE OUTSIDE 99  
 EM lubricating gel 156  
 Empty can 90  
 eramic emulsion cylindrical rasp 125  
 EURODAINU 64  
 EURODAIRA 66  
 EURODIGIT 62  
 examples of FRL Assemblies 86  
 EXAMPLES OF PRESSURE GAUGE ASSEMBLY 67  
 exhaust kit 120  
 EXTENSIONS 147  
 EXTENSIONS (LB) 42  
 Extra thin impact sockets 147  
 Extruder guns 106

## F

FACE 160  
 FAGUS 160  
 Farm vehicles and earthmover valves 31

# ALPHABETICAL INDEX

FEIMA 159  
 FEINE159  
 FEMALE TOOL HOLDER 121  
 FIACRE 160  
 FIFRE 160  
 filling tubes 138  
 filter 163  
 FINISHING PRODUCTS 101  
 FINISHING TOOLS 127  
 Finish/seal 100  
 flat Airbags 138  
 Flat brush 90  
 FLAT CLOSED STRAPS 174  
 flat rims 15,16,17  
 flexible airbags 138  
 Flexible extensions 42  
 FLEXIBLE EXTENSIONS AND LUGS 25  
 flexible heating padS 137  
 FLExible pump rings 75  
 FLEXIBLE VALVE EXTENSION LOTS 25  
 Foldable extensions 42  
 Folding wire 133  
 FORCE 160  
 FRL 80

## G

glasses 162  
 gloves 162  
 Gouges 127  
 GREASE FOR BRUSH 129  
 guiding flange valves 18  
 GUMS 102,103,104  
 GUM WORKING TOOLS 107

## H

HALTE 160  
 Hammer 189  
 HANDLING LIFTING 150,151,152,174  
 Hand pump for jug 109  
 HAND TOOLS 132  
 HIGH-FLOW VALVE 74  
 hook 183,187  
 Hose 5x10 for EURODAIRA pressure gauges 72  
 Hose 7x13 for inflating gauges 71  
 Hose coil 45  
 HOT DAMAGE REPAIR >100°C 104  
 HOT DAMAGE REPAIR 70°C 104  
 HOT PLATE 107  
 hydraulic bottle jacks 150  
 HYDRAULIC CONNECTIONS 176  
 Hydraulic distributors 175  
 hydraulic jacks 151

Hydraulic Oil 175  
 hydraulic pumps 173  
 Hydroflation nipple 34  
 Hydro-flotation 32,34,35,36  
 HYDROPNEUMATIC LIFTS 152  
 HYOCA 160  
 HYUDE 160

## I

IMPACT SOCKETS 146,148  
 Impact sockets kit 148  
 Impact socket with torque control 147  
 IMPACT WRENCHES 144  
 Indicator for PRP 132  
 Inflating chucks 71  
 inflating gel 156  
 Inflation accessories 71,72  
 INFLATION AND COMPRESSED AIR EQUIPMENT 59  
 inflation/ballasting connector 44  
 iNFLATION NIPPLES AND COU-PLERS 68  
 Inflation nipples and couplers 69,70  
 INFLATION TERMINAL 82,83  
 Inner tube repair patches (IRP) 92,93  
 Inserts for radial tires 99  
 Insert tools 99  
 IRP 92

## J

jacks 150,151,172  
 Junction connector 79

## K

KIT OTR-TPMS 168  
 Knife 132  
 KOUSMA 183

## L

LARGE BORE CONNECTORS 70  
 Letter 134  
 levers 160  
 LIFTER SPREADER SUPPORT 300 KG 130  
 LIFTING AIRBAGS 170  
 Lifting collar 186  
 LIFTS 152  
 limiting pressure 144  
 Long skirt 26  
 LOOSE WHEEL NUT INDICATORS 28,29

Low triple-bend universal screw-on valves 22  
 Lubricant 81,145,156,157  
 LUKAS 172

## M

MAGMA 186  
 MAGMA 2 186  
 MAGNETIC WEDGES 188  
 MALE TOOL HOLDER 121  
 mallet 133  
 MANUAL BEAD-BREAKER 180  
 manual hydraulic pumps 173  
 mask 163  
 Mastair 65  
 MATERIAL FOR RUBBERS 106  
 MAXIGEL 156  
 MAXI-KOUSMA 184,185  
 Mechanical inflating gauges 63,64,65  
 Mechanical tire spreader 130  
 metal caps 51  
 Metal spud for swivel valve 38  
 MINI-KOUSMA 181  
 MINI-RASP KIT 125  
 Miscellaneous connectors 78  
 Miscellaneous levers 161  
 MIXER 104  
 mobile nipples For chucks 72  
 Monoblock 40  
 MOUNTED BRUSHES WITH SHAFT 126  
 Mounting grease 155  
 Mounting paste 155  
 MULTI-BEND RIGID EXTENSIONS 43

## N

nickel-coated 18  
 nitrogen 62,63,64,65,66  
 Nozzle with nut 106

## O

Oak wedges 171  
 Oil 157,175  
 Onyx 100  
 Opale 100  
 OTHERS CONNECTORS 69  
 OTR 184  
 OTR KNIFE 131  
 OTR-TMS 169  
 OTR tool giude 196

## P



# ALPHABETICAL INDEX

particle filter 81  
 PASCHRA 182  
 PASCHRA LONG 182  
 PATCHES AND REPAIR PRODUCTS 89  
 PATCHES FOR RADIAL TIRES 96,97,98  
 Pencil rasps 125  
 PERSONAL PROTECTION 162  
 Plastic wedges 171  
 PLASTIFIED ADHESIVE WEIGHTS FOR ALUMINIUM TRUCK RIMS 54  
 Pliers 133,189  
 PLIERS FOR WEIGHTS 55  
 PLUGS FOR RADIAL AND BIAS TireS 95  
 Pneumatic hammer 131  
 Pneumatic lifting airbags 170  
 Pneumatic tool lubricant 145  
 Pneumatic vacuum 129  
 Polyamide rim nut 34  
 POLYPROPYLENE WEDGE 171  
 Portable hydraulic bottle jacks 150  
 Portable lamp 133,163  
 PRC 90  
 Pre-programmable electronic wall Tire inflator 82  
 Pressure gauges 66  
 Preventive product for tubeless tires 108  
 PRF 94  
 Progressive air gun 77  
 PROTECTION 162  
 Protective screens 137  
 PRP 91  
 PS15 Truck STAR 149  
 Pump for jug 108  
 pump rings 73,75  
 PUMPS 172,173  
 PVC-COATED BRUSHES WITH STEEL CABLE 126

## Q

Quick junction connector 79  
 Quick tapped connector 79

## R

Rasp 100  
 RASPS AND TOOLS FOR RUBBER 123  
 RATCHET STRAPS 174  
 Regulator 81  
 Repair kits 91  
 REPAIR PATCHES 92  
 REPAIR SUPPORTS-LIFTS 141  
 Repair table 130

REPAIR TOOLS AND VULCANIZING EQUIPMENT 111  
 Resistor 106  
 Rigid bent extensions 27  
 Rigid brass extensions 42  
 RIGID PLASTIC AIRTIGHT EXTENSIONS 26  
 Rigid probe 107  
 Rigid pump rings 75  
 rim breakers 154  
 RINGBREAKERS 185,186,187,188  
 roller 132  
 Rollers and emery rings 127  
 Round brush 90  
 Round rasps 124  
 ROUND RASPS 125  
 Rubber cleaner 100  
 RUBBER CLEANERS 101  
 Rubber hammer 158  
 RUBBERIZED BRUSHES 128  
 Rubber nipple 131  
 rule 133

## S

Safety glasses 162  
 Safety gloves 162  
 SAFE WHEEL 29  
 Saphir 100  
 SAYAM 160  
 SAYMA 188  
 Schrad+ 96  
 scissors 133  
 screwdriver 133  
 SDO+ 98  
 Sealer 156  
 Sealing product 156  
 SEALS 194  
 Self-vulcanizing bonding gum 102  
 Set of 5 hard brushes 128  
 Set of 5 soft brushes 128  
 Short skirt 26  
 SHUTTLE-T 187  
 SIDEWALL REPAIR 140  
 SKIVING TOOLS AND ACCESSORIES 126,127  
 SKIVING TOOLS AND ACCESSORIES For RUBBER 125  
 SKYMA 183  
 slime 108  
 SMALL 187  
 SMALL HAND TOOLS 132  
 Soap 156  
 Solutions 100  
 Spare 187  
 SPREADERS, REPAIR TABLE 130  
 Spuds for universal screw-on valves 21

Square 144  
 S.R.R. 97  
 Steel convex brush 133  
 STEEL-REINFORCED GUM 105  
 steel risers for lifting jacks 172  
 Steel roller 132  
 stitcher 132  
 Stone for rubber tools 129  
 Straight and single-bend universal screw-on valves 20  
 Straight flexible extensions 25  
 Straight rigid nickel-coated brass extensions 27  
 straps 139  
 STRAPS AND LIFTING LOOPS 174  
 String 99  
 Stylmark 156  
 SUPER COMPACT 181  
 Swivel valves 38

## T

TALC AND Vulcanizing SOLUTIONS 105  
 TALLMA 188  
 T-GREASE + 155  
 thermocouple coil 107  
 THERMOMETER 107  
 Thermostat 106  
 Threaded quick coupler 78  
 TIGRE 80 155  
 Tire markers 134  
 TIRE PUNCTURE PREVENTION 108,109  
 tire regroover 149  
 Tool for tightening cores with tightening torque pre-set 50  
 TOOL HOLDER CHUCK 10 MM 121  
 TOOL HOLDER FOR BRUSHES 122  
 TOOL HOLDER WITH FLANGES 122  
 TOOLS FOR 1-PIECE RIM 154  
 TOOLS FOR SHAFT MACHINES 128  
 TOOLS FOR VALVES 159  
 Toothed fine stitcher 132  
 Toothed stitcher 132  
 Topaze 100  
 torque control 147  
 Torque wrenches 161  
 transfer bags 139  
 tread depth gauges 158  
 Triple-bend universal screw-on valves 23,24  
 TRP 95  
 Truck balancing beads 57  
 Truck STAR 149  
 T tools 99  
 tube deflator 72  
 TUBELESS OR EURO INNER TUBE

## ALPHABETICAL INDEX

VALVES (LB) 37,38  
TUBELESS VALVES FOR CATERPIL-  
LAR EQUIPMENT (SLB) 46  
tubeless valves in nickel 11,12

### U

UNIVAIR 63

### V

Vacuum cleaner 129  
Valve caps 50  
Valve core and cap screwdriver 159  
valve cores and caps 49  
Valve removing tool 159  
VALVES AND EXTENSIONS FOR  
CATERPILLAR EQUIPMENT  
(LB) 43  
VALVES FOR AMERICAN TYPE  
TUBELESS (LB) 39,40,41  
VALVES FOR AMERICAN TYPE  
TUBELESS (SLB) 44  
Valves for inner tubes  
19,20,21,23,24  
VERAC 172  
VSM 150 135  
VSM 200 136  
Vulcanizer 135,136  
Vulcanizing SOLUTIONS 102  
VULCANSING PRESS 140  
Vulcaschrad 135

### W

wedges 151,171,189  
Weights with built-in springs for steel  
rims 54  
wheel tightening torque wrenches 161  
Winders for impact wrench 77  
Wire 133  
WORKING ON RUBBER 120  
WORKING ON STEEL CABLES 120  
Worm screw 106  
WRENCHES 144

**Direct lines for customers support :**

**Tél. +33 (0)3 81 38 56 60 (France)**

**Tél. +33 (0)3 81 38 56 27 (Export)**

**Fax direct +33 (0)3 81 38 56 81**

**E-mail : [resale.info@schrader-pacific.fr](mailto:resale.info@schrader-pacific.fr)**

Schrader s.a.s. - B.P. 29  
48, rue de Salins - 25301 Pontarlier cedex  
France  
Tél. :+33 (0) 381 38 56 56  
Fax : +33 (0) 381 46 41 42  
E-Mail : [general.info@schrader-pacific.fr](mailto:general.info@schrader-pacific.fr)



Schrader-Pacific.fr